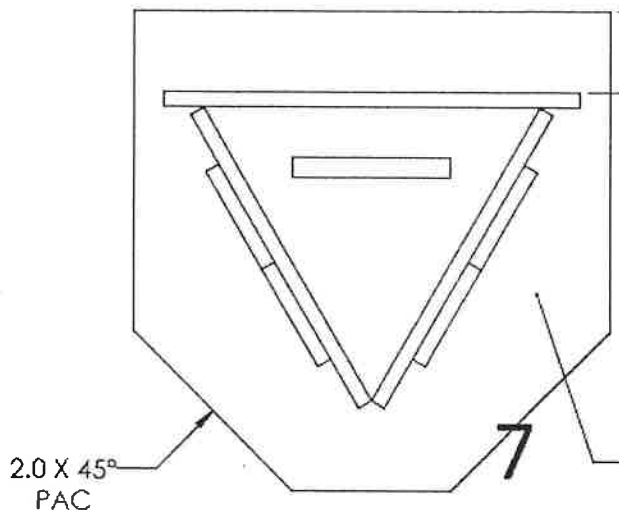
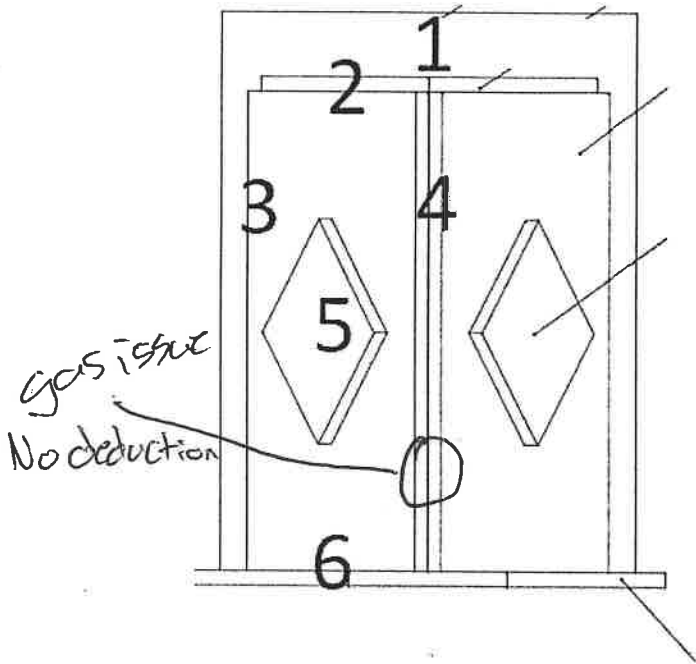


Contest # 1091

GMAW

Gas Issue



Weld #	Description	Points Possible	Score
1	Back of lid	10	7
2	Cap	10	5 19
3	Vertical Up	10	6
4	Vertical Down	10	7
5	Diamonds	10	7 26
6	Base	15	12 9
7	PAC	10	9
Penalty -		Total Points /75	54 175

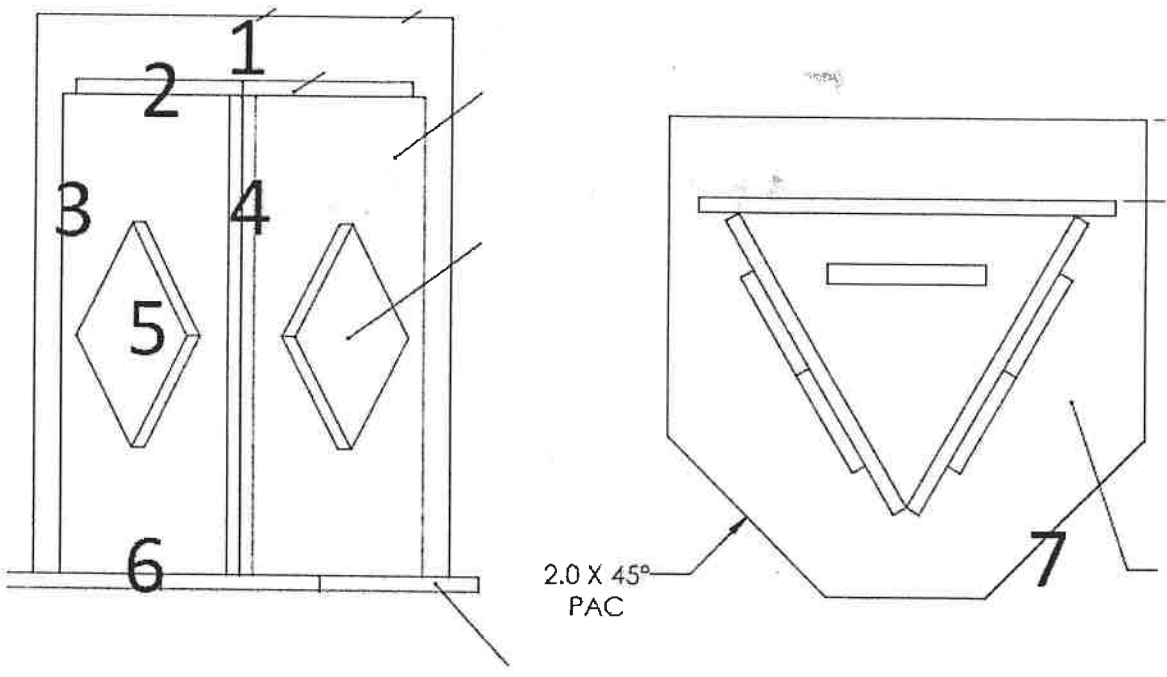
35
19

✓

2

Contest # 1100

GMAW

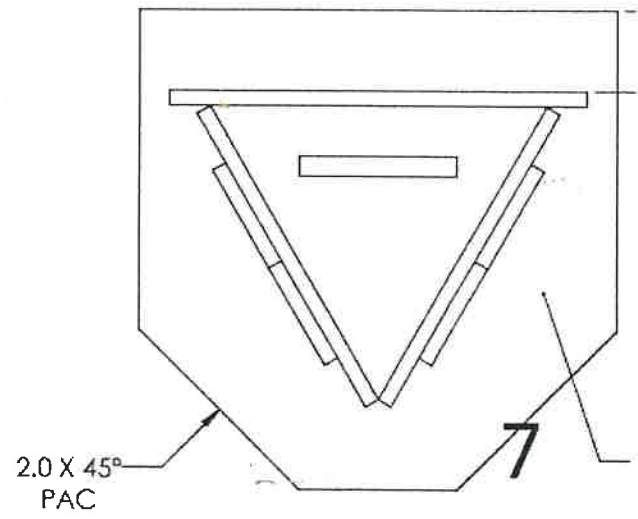
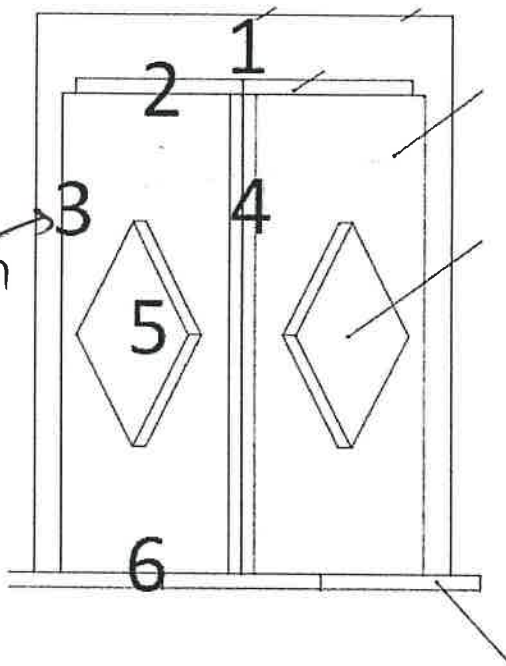


Weld #	Description	Points Possible	Score
1	Back of lid	10	9
2	Cap	10	8
3	Vertical Up	10	7
4	Vertical Down	10	9
5	Diamonds	10	8
6	Base	15	10 12
7	PAC	10	8
Penalty -		Total Points /75	61 10 /75

✓

Contest # 1198

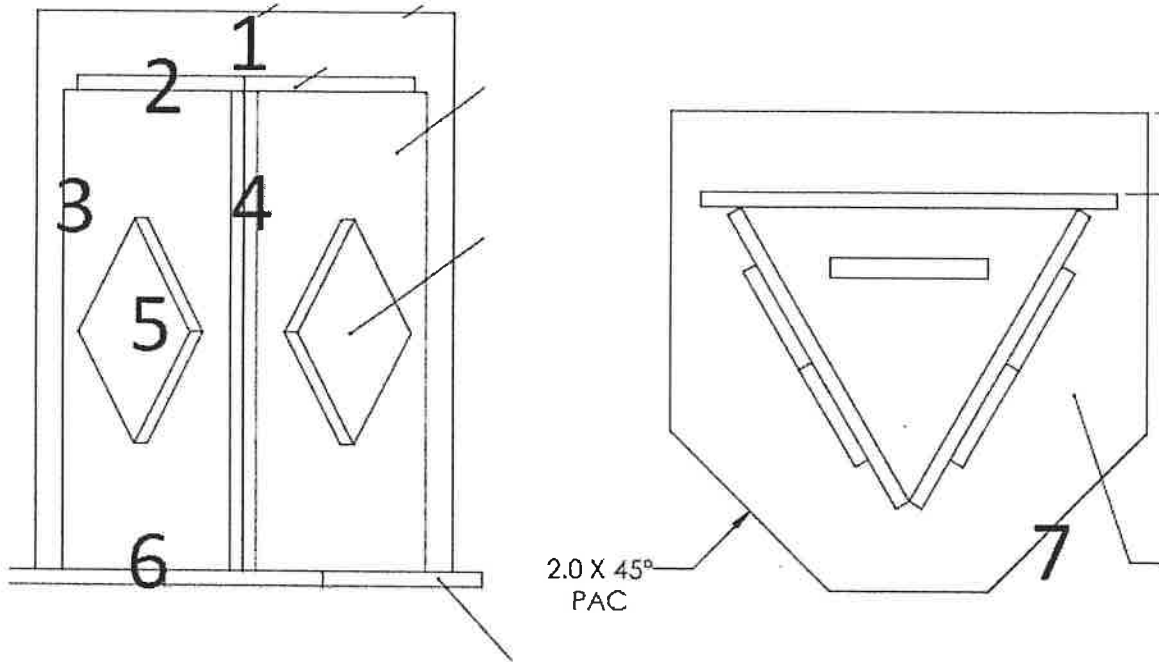
GMAW



Weld #	Description	Points Possible	Score
1	Back of lid	10	7 15
2	Cap	10	8 15
3	Vertical Up	10	6
4	Vertical Down	10	7 19
5	Diamonds	10	6
6	Base	15	13 21
7	PAC	10	8
Penalty -		Total Points /75	55 175

Contest # 1255

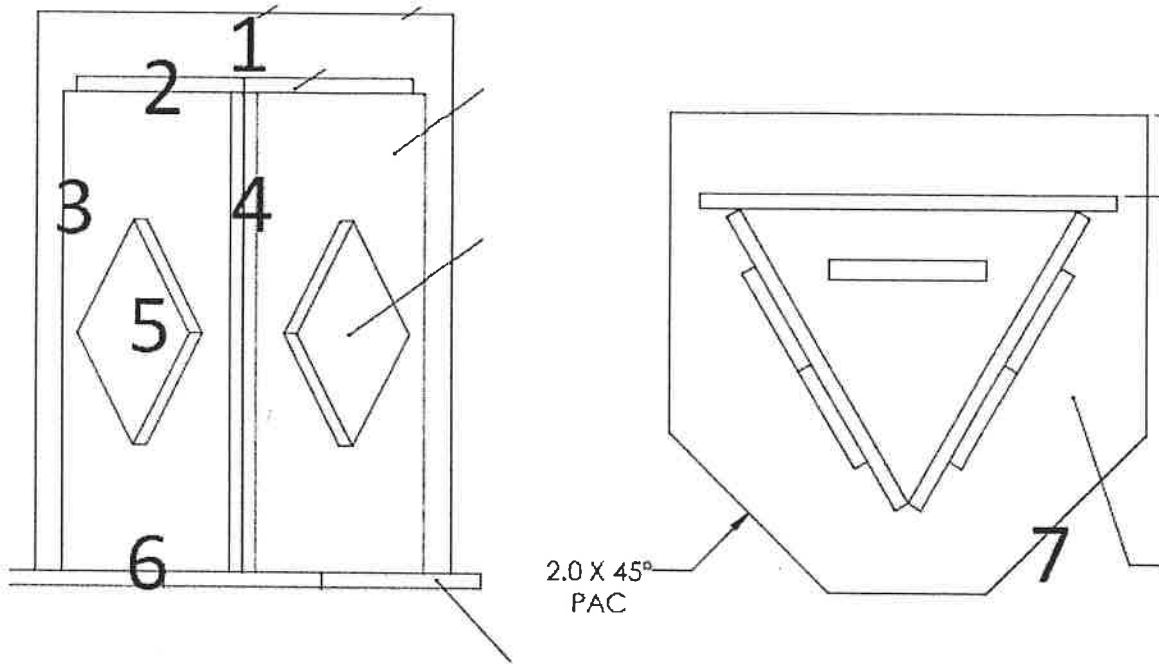
GMAW



Weld #	Description	Points Possible	Score
1	Back of lid	10	7
2	Cap	10	7 14
3	Vertical Up	10	5 13
4	Vertical Down	10	8
5	Diamonds	10	7
6	Base	15	7 22
7	PAC	10	8
Penalty -		Total Points /75	49 175

Contest # 1269

GMAW



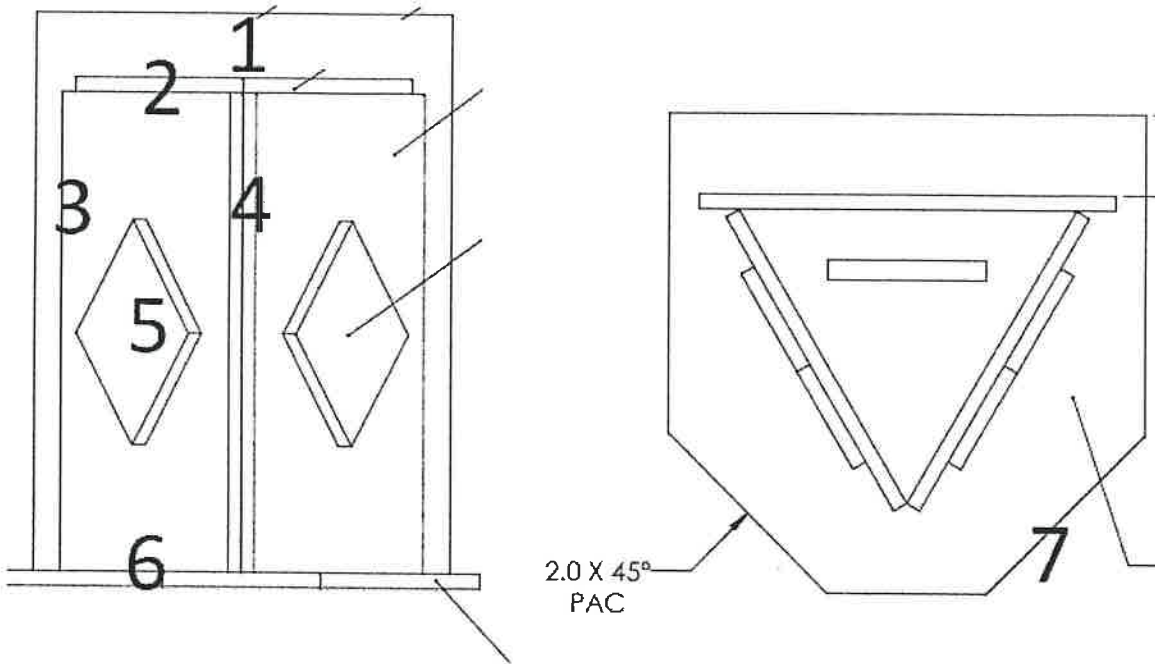
Weld #	Description	Points Possible	Score
1	Back of lid	10	6
2	Cap	10	6
3	Vertical Up	10	4
4	Vertical Down	10	8
5	Diamonds	10	7
6	Base	15	9
7	PAC	10	7
Penalty -		Total Points /75	47 / 75

47



Contest # 1390

GMAW



Weld #	Description	Points Possible	Score
1	Back of lid	10	9
2	Cap	10	8
3	Vertical Up	10	9
4	Vertical Down	10	9
5	Diamonds	10	8
6	Base	15	13
7	PAC	10	7
Penalty -		Total Points /75	63

35
28

21

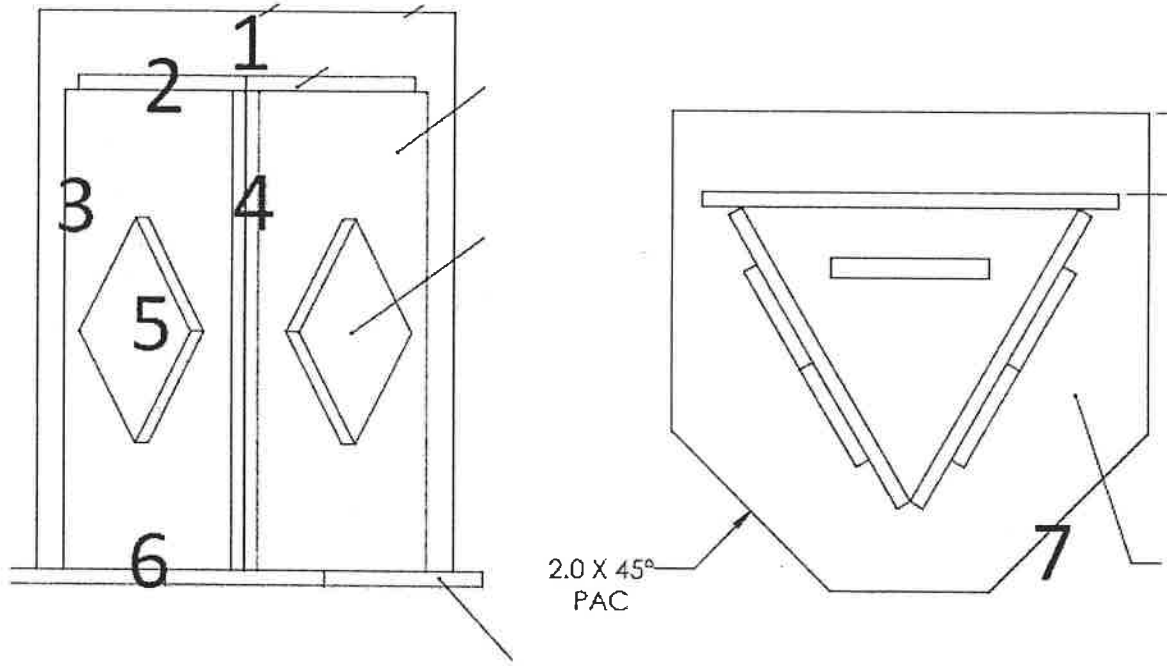
7

175



Contest # 1405

GMAW



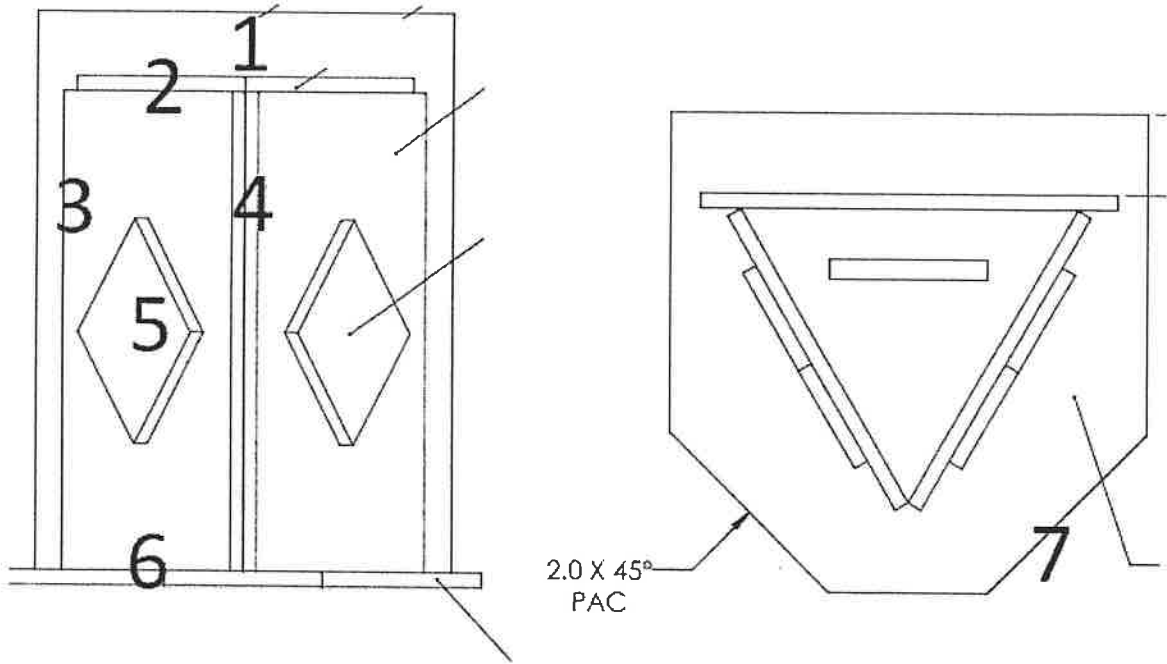
Weld #	Description	Points Possible	Score
1	Back of lid	10	7
2	Cap	10	8
3	Vertical Up	10	6
4	Vertical Down	10	6
5	Diamonds	10	7
6	Base	15	12
7	PAC	10	7
Penalty -		Total Points /75	53 /75

38
15



Contest # 1434

GMAW

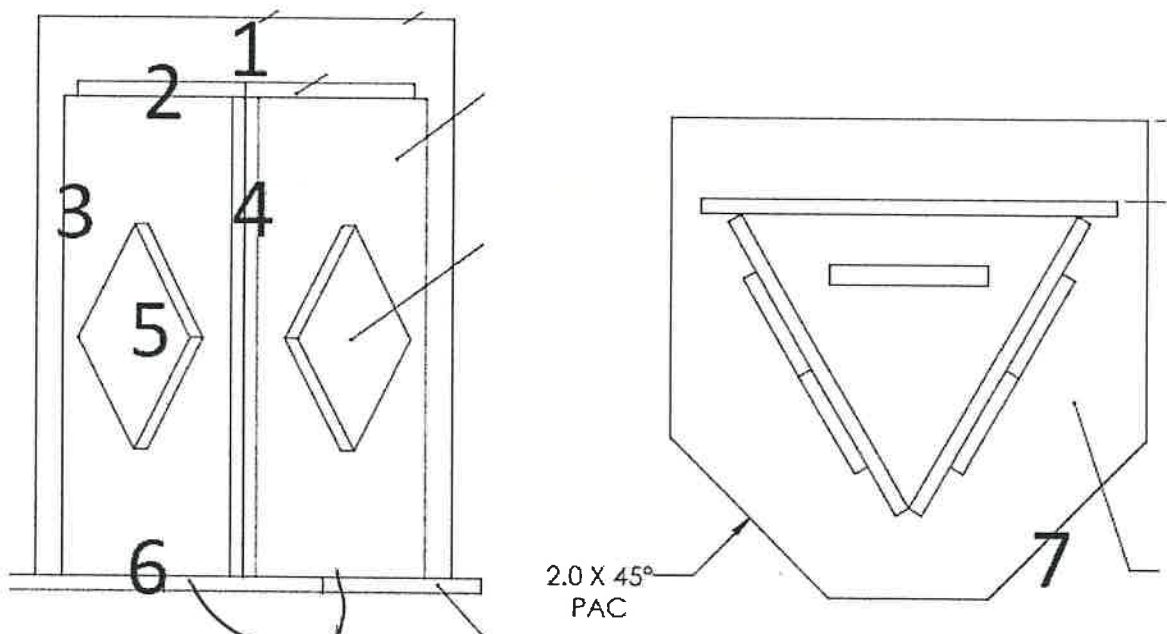


Weld #	Description	Points Possible	Score
1	Back of lid	10	8
2	Cap	10	7
3	Vertical Up	10	4
4	Vertical Down	10	7
5	Diamonds	10	7
6	Base	15	9
7	PAC	10	6
Penalty -		Total Points 175	48 175



Contest # 1410
1420

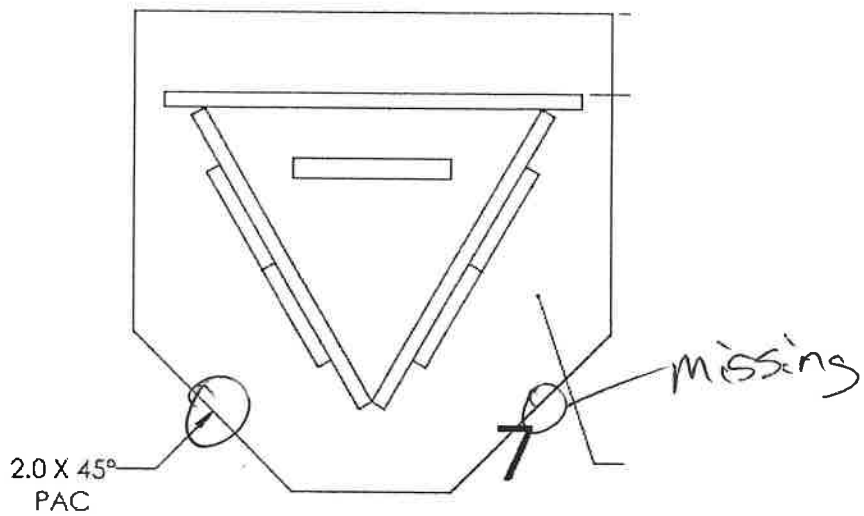
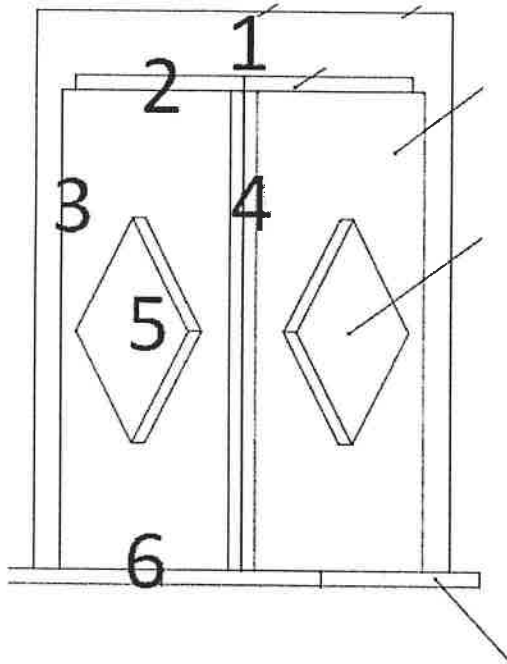
GMAW



Weld #	Description	Points Possible	Score
1	Back of lid	10	6
2	Cap	10	5
3	Vertical Up	10	4
4	Vertical Down	10	6
5	Diamonds	10	4
6	Base	15	5
7	PAC	10	9
Penalty - <u>-2</u>		Total Points /75	30 <u>37</u> /75

Contest # 1477

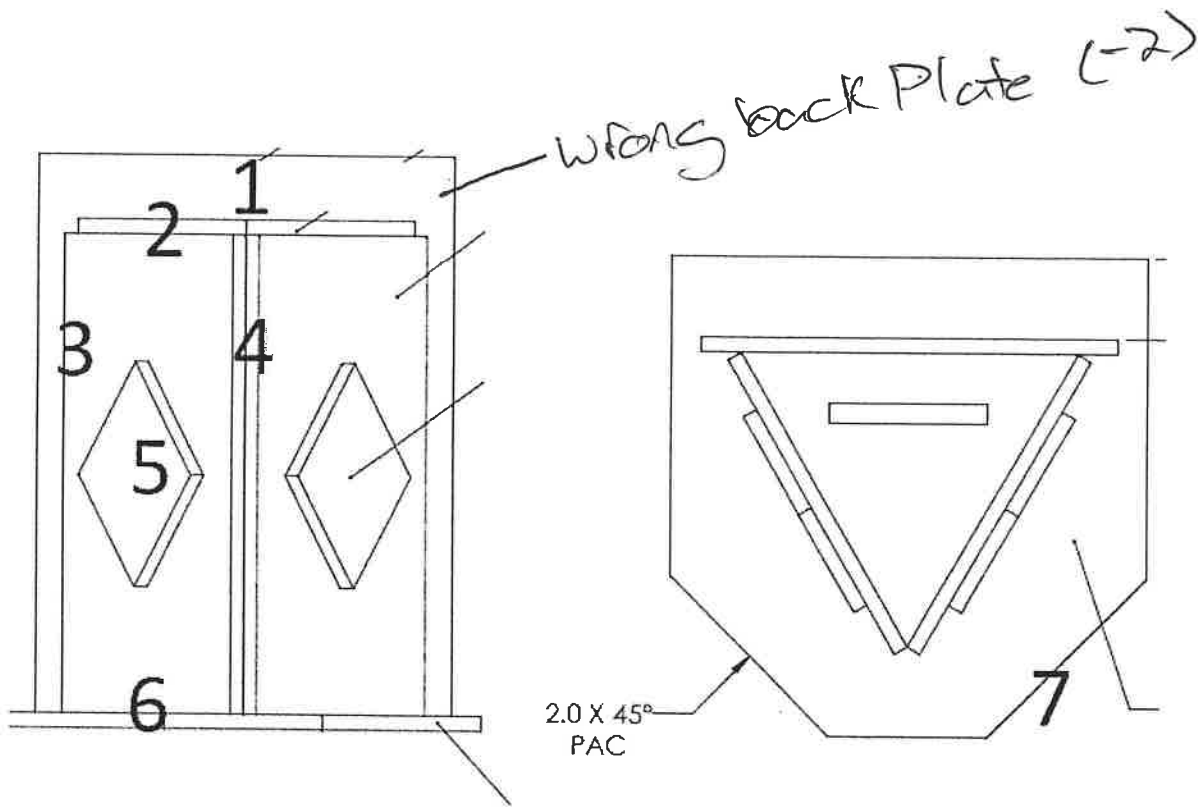
GMAW



Weld #	Description	Points Possible	Score
1	Back of lid	10	7
2	Cap	10	6
3	Vertical Up	10	3
4	Vertical Down	10	4
5	Diamonds	10	5
6	Base	15	8
7	PAC	10	0
Penalty -		Total Points /75	33 6 175

Contest # 1514

GMAW



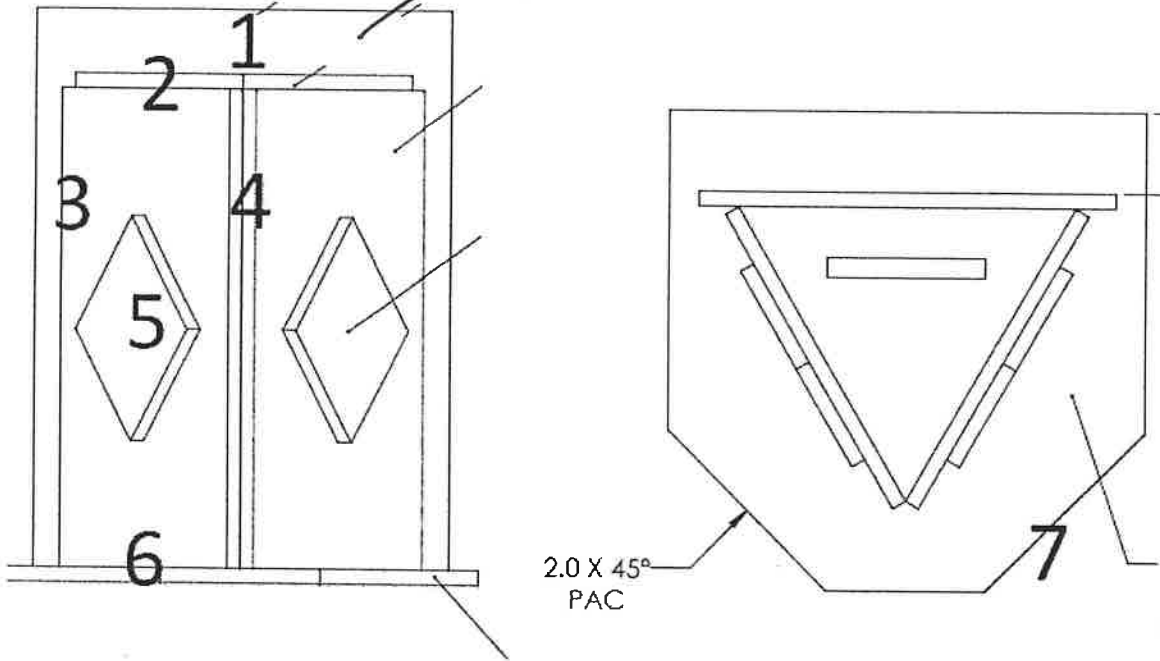
Weld #	Description	Points Possible	Score
1	Back of lid	10	2
2	Cap	10	3
3	Vertical Up	10	2
4	Vertical Down	10	3
5	Diamonds	10	3
6	Base	15	3
7	PAC	10	5
Penalty -	-2	Total Points /75	19 19 175



Contest # 1518

GMAW

Not even on sides (-3)

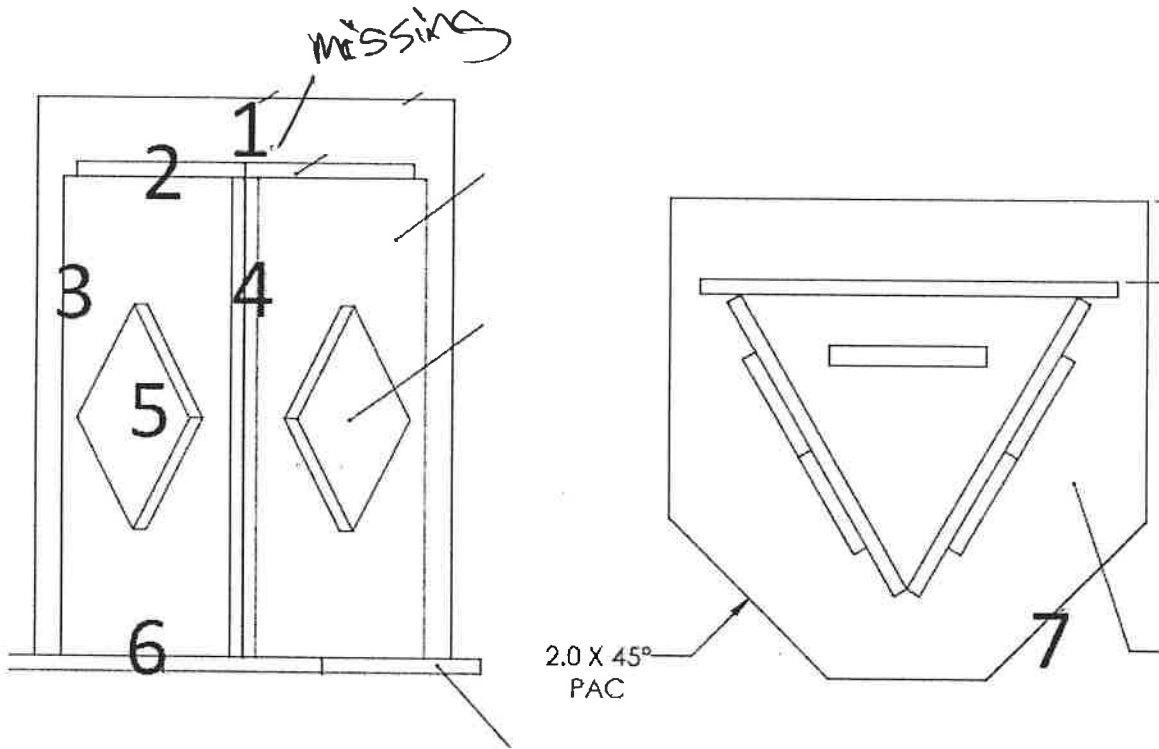


Weld #	Description	Points Possible	Score
1	Back of lid	10	5
2	Cap	10	4
3	Vertical Up	10	3
4	Vertical Down	10	7
5	Diamonds	10	7
6	Base	15	12
7	PAC	10	4
Penalty - -3		Total Points /75	39 / 175



Contest # 1534

GMAW

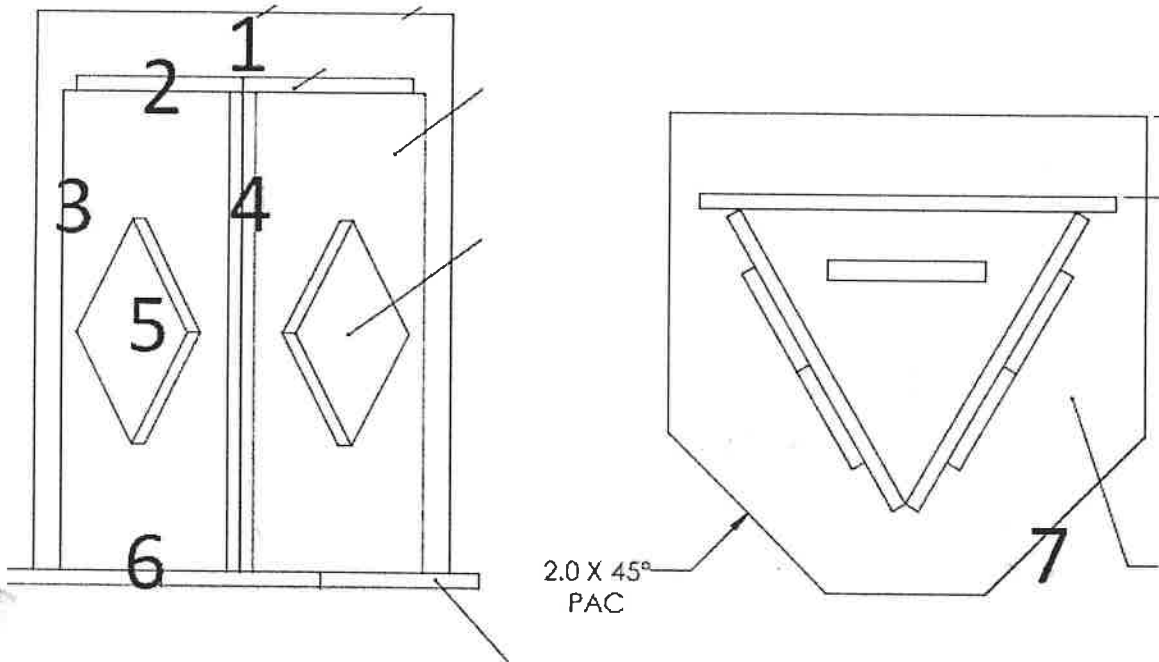


Weld #	Description	Points Possible	Score
1	Back of lid	10	0
2	Cap	10	5
3	Vertical Up	10	3 7/8
4	Vertical Down	10	6 10
5	Diamonds	10	4
6	Base	15	7 12
7	PAC	10	5
Penalty -		Total Points /75	30 175 175

Contest #

1591

GMAW

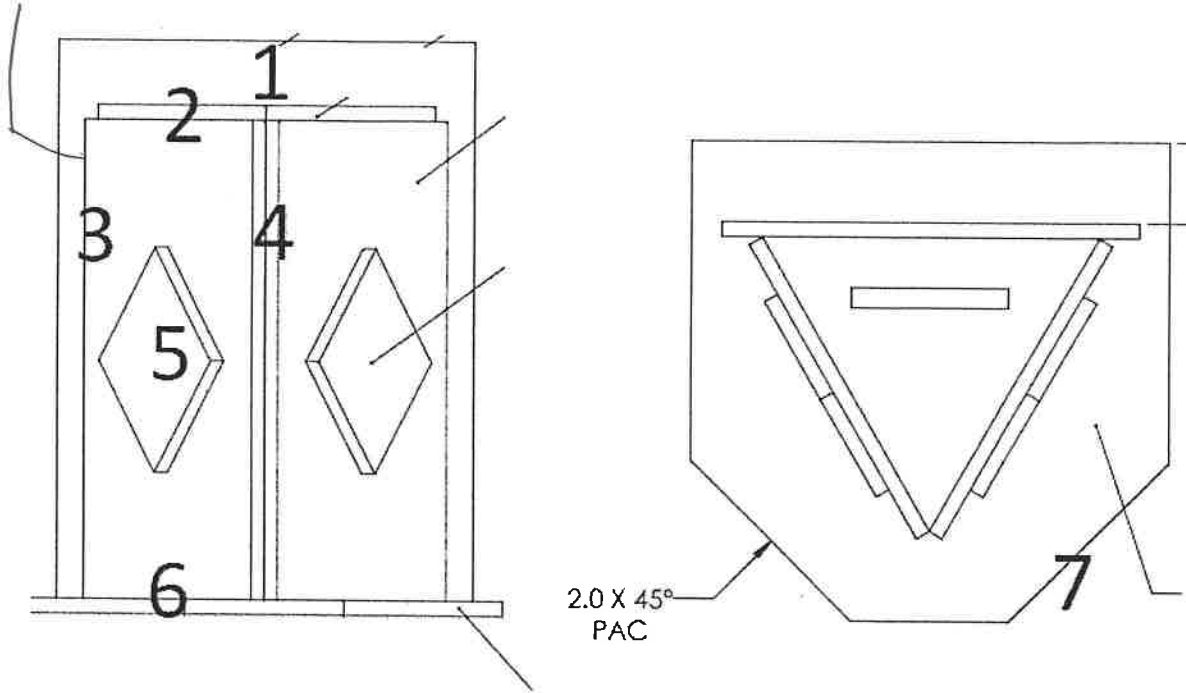


Weld #	Description	Points Possible	Score
1	Back of lid	10	7
2	Cap	10	7
3	Vertical Up	10	4
4	Vertical Down	10	8
5	Diamonds	10	6
6	Base	15	8
7	PAC	10	7
Penalty -		Total Points /75	47 175

Contest # 1618

GMAW

Vertical up



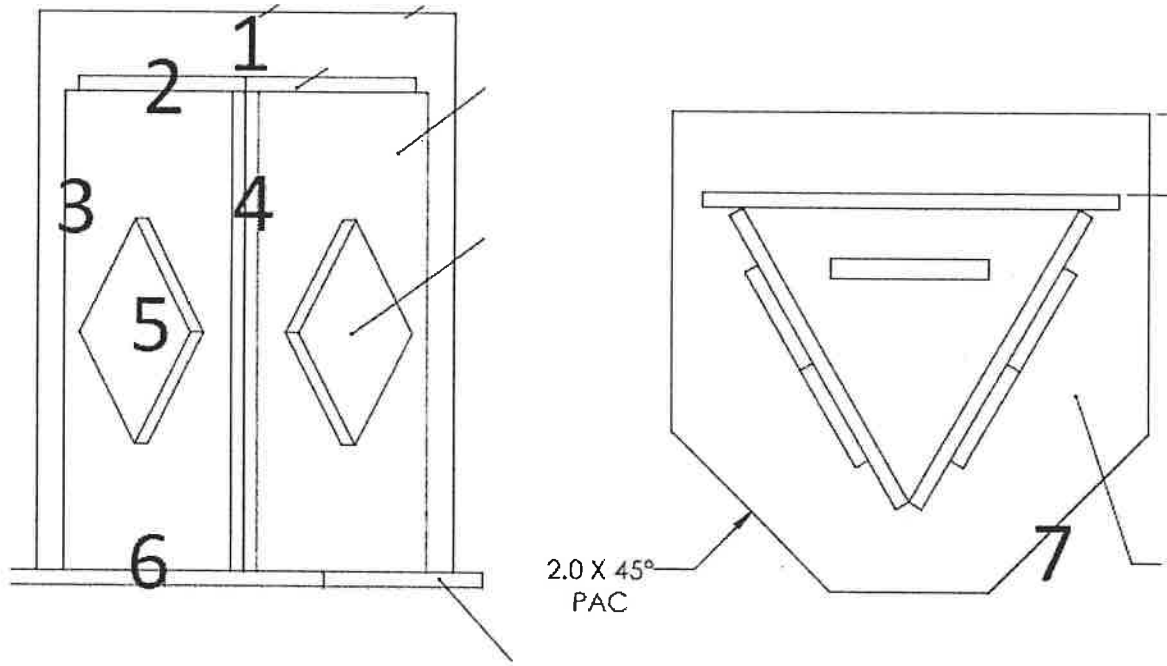
Weld #	Description	Points Possible	Score
1	Back of lid	10	6
2	Cap	10	6
3	Vertical Up	10	4
4	Vertical Down	10	7
5	Diamonds	10	6
6	Base	15	7
7	PAC	10	6
Penalty -	-2 vertical up on weld (3)	Total Points /75	40
			175

42



Contest # 1630

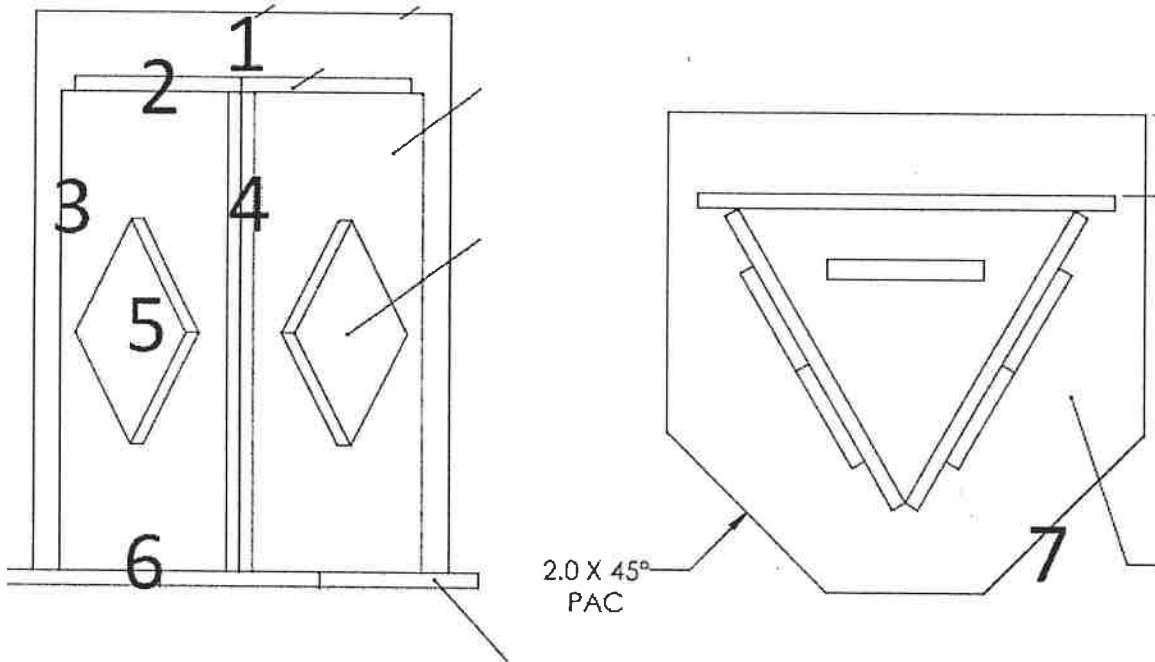
GMAW



Weld #	Description	Points Possible	Score
1	Back of lid	10	7
2	Cap	10	0
3	Vertical Up	10	5
4	Vertical Down	10	3
5	Diamonds	10	4
6	Base	15	6
7	PAC	10	5
Penalty -		Total Points /75	30 /75

Contest # 1687

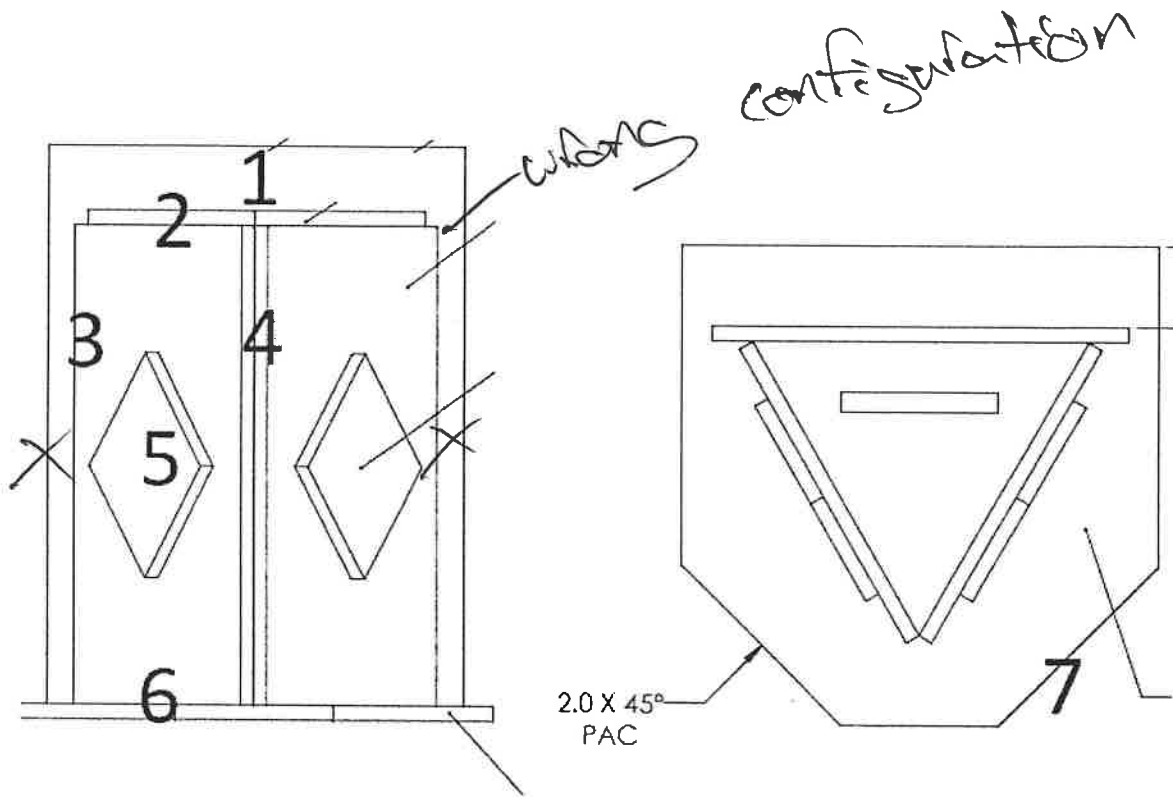
GMAW



Weld #	Description	Points Possible	Score
1	Back of lid	10	8 7/5
2	Cap	10	7 7/5
3	Vertical Up	10	4 7/10
4	Vertical Down	10	6 7/10
5	Diamonds	10	6
6	Base	15	8 2/2
7	PAC	10	8
Penalty -		Total Points /75	47 175

Contest # 1726

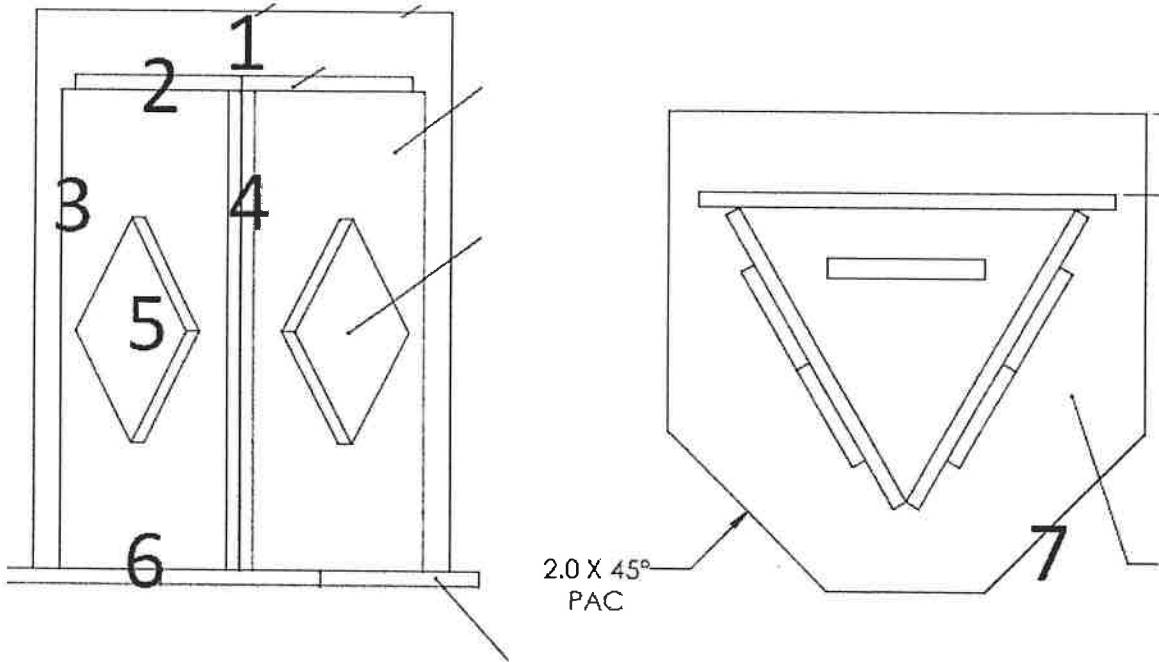
GMAW



Weld #	Description	Points Possible	Score
1	Back of lid	10	4
2	Cap <i>good gap cover.</i>	10	3
3	Vertical Up	10	2
4	Vertical Down	10	2
5	Diamonds	10	3
6	Base	15	5 5
7	PAC	10	5
Penalty - <i>-2</i>		Total Points /75	22 22/75

Contest # 1733

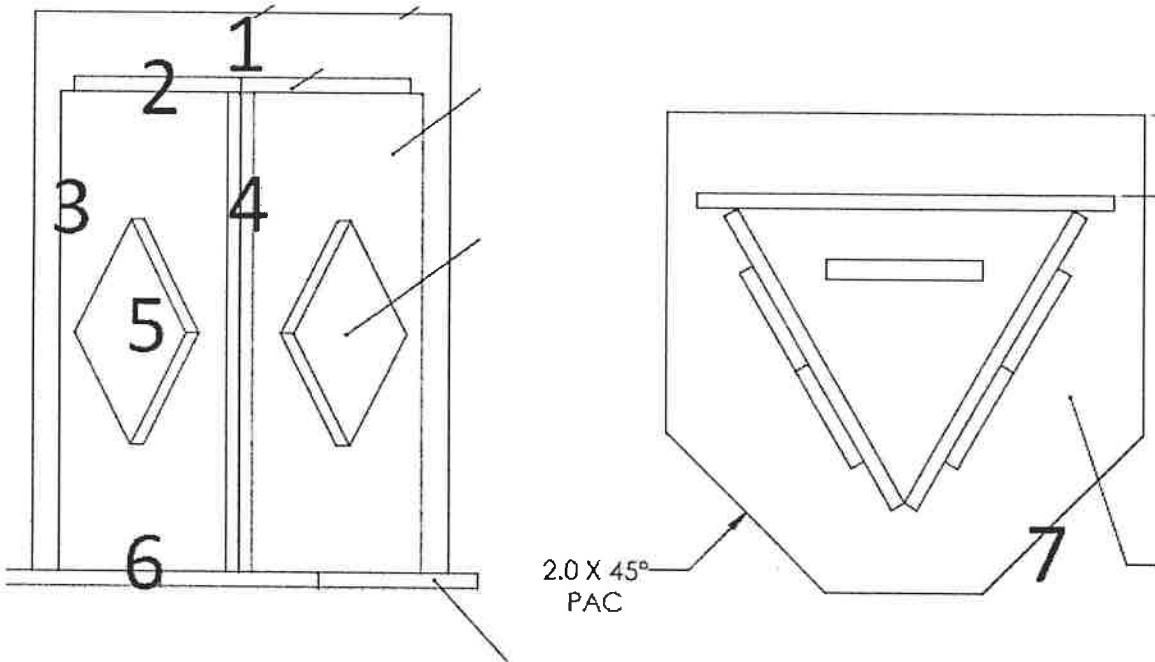
GMAW



Weld #	Description	Points Possible	Score
1	Back of lid	10	8
2	Cap	10	7 ⁷⁵
3	Vertical Up	10	6
4	Vertical Down	10	7 ¹³
5	Diamonds	10	6
6	Base	15	7 ²¹
7	PAC	10	8
Penalty -		Total Points /75	49 175

Contest # 1747

GMAW

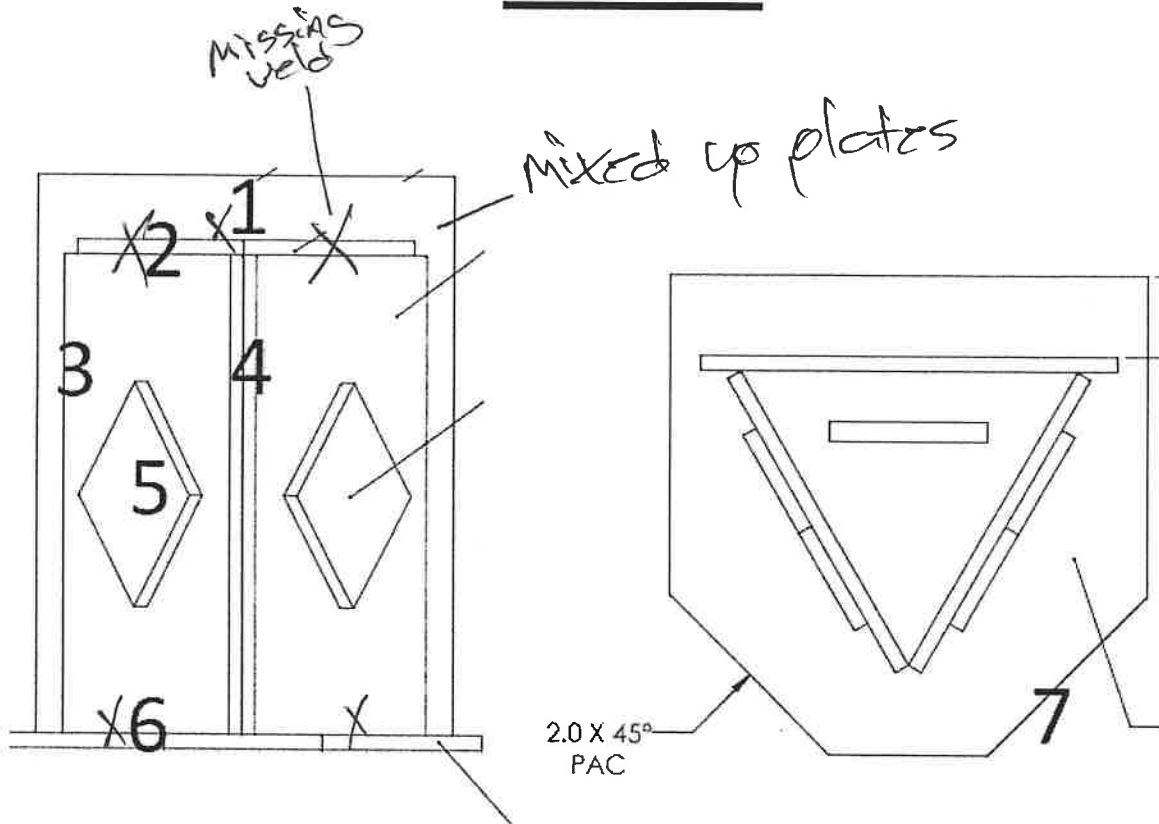


Weld #	Description	Points Possible	Score
1	Back of lid	10	7
2	Cap	10	5 116
3	Vertical Up	10	5 11.
4	Vertical Down	10	6
5	Diamonds	10	7
6	Base	15	14 25
7	PAC	10	7
Penalty -		Total Points /75	48 /75



Contest # 1748

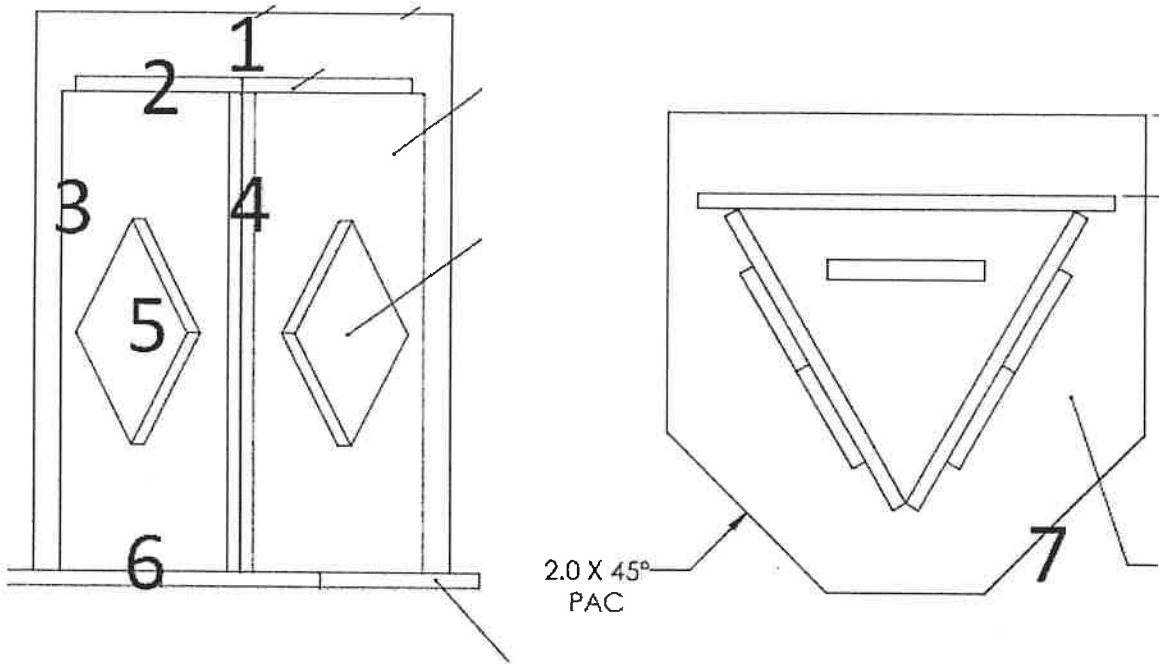
GMAW



Weld #	Description	Points Possible	Score
1	Back of lid	10	0
2	Cap	10	0
3	Vertical Up	10	1
4	Vertical Down	10	1
5	Diamonds	10	3
6	Base	15	0
7	PAC	10	4
Penalty -		Total Points /75	9 175

Contest # 1722 ¹⁷⁷²

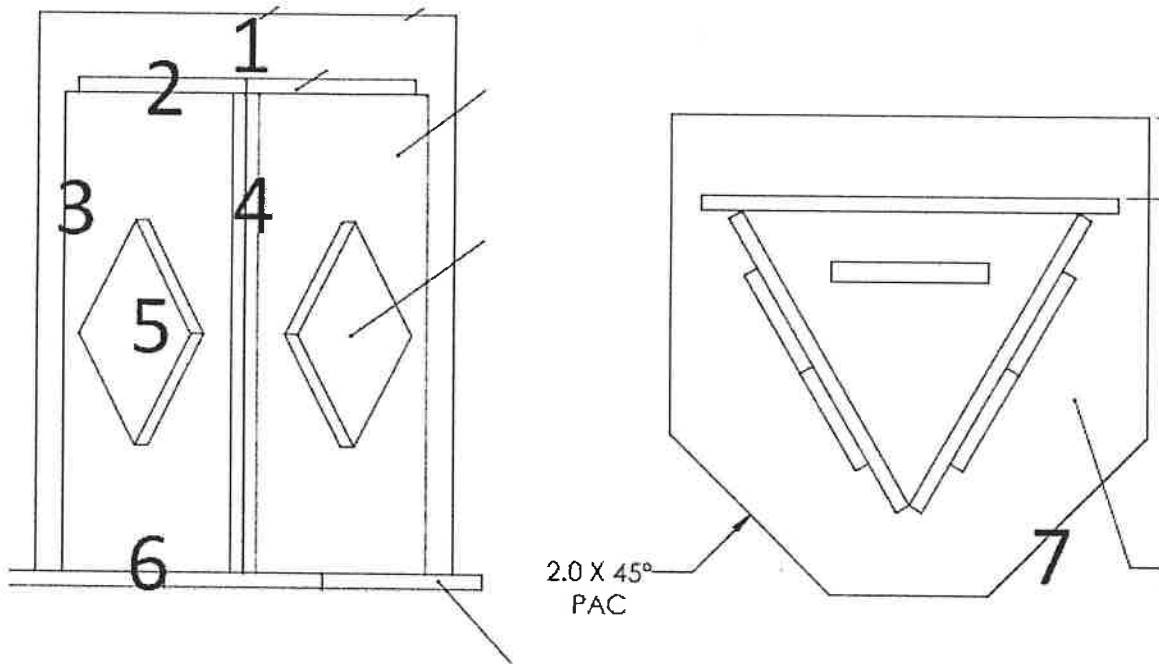
GMAW



Weld #	Description	Points Possible	Score
1	Back of lid	10	8
2	Cap	10	7 ¹⁵
3	Vertical Up	10	5
4	Vertical Down	10	5 ¹⁴
5	Diamonds	10	4
6	Base	15	10 ¹⁴
7	PAC	10	4
Penalty -		Total Points /75	43 /75

Contest # 1774

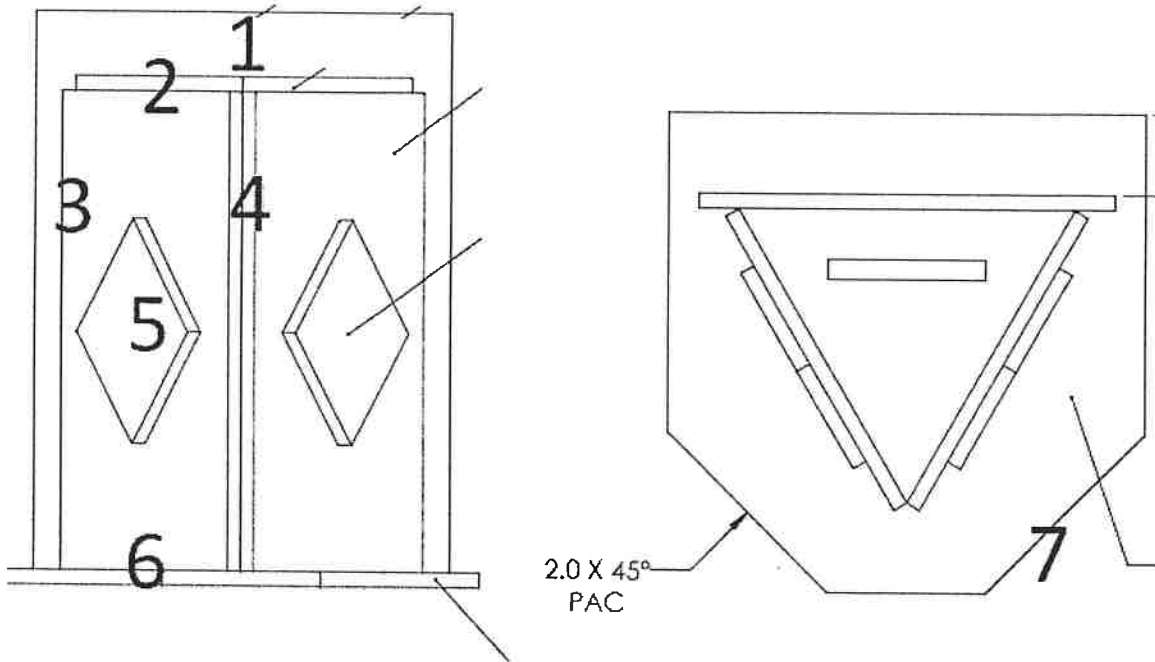
GMAW



Weld #	Description	Points Possible	Score
1	Back of lid	10	6
2	Cap	10	5
3	Vertical Up	10	4
4	Vertical Down	10	7
5	Diamonds	10	5
6	Base	15	9
7	PAC	10	5
Penalty -		Total Points /75	41 /75

Contest # 1784

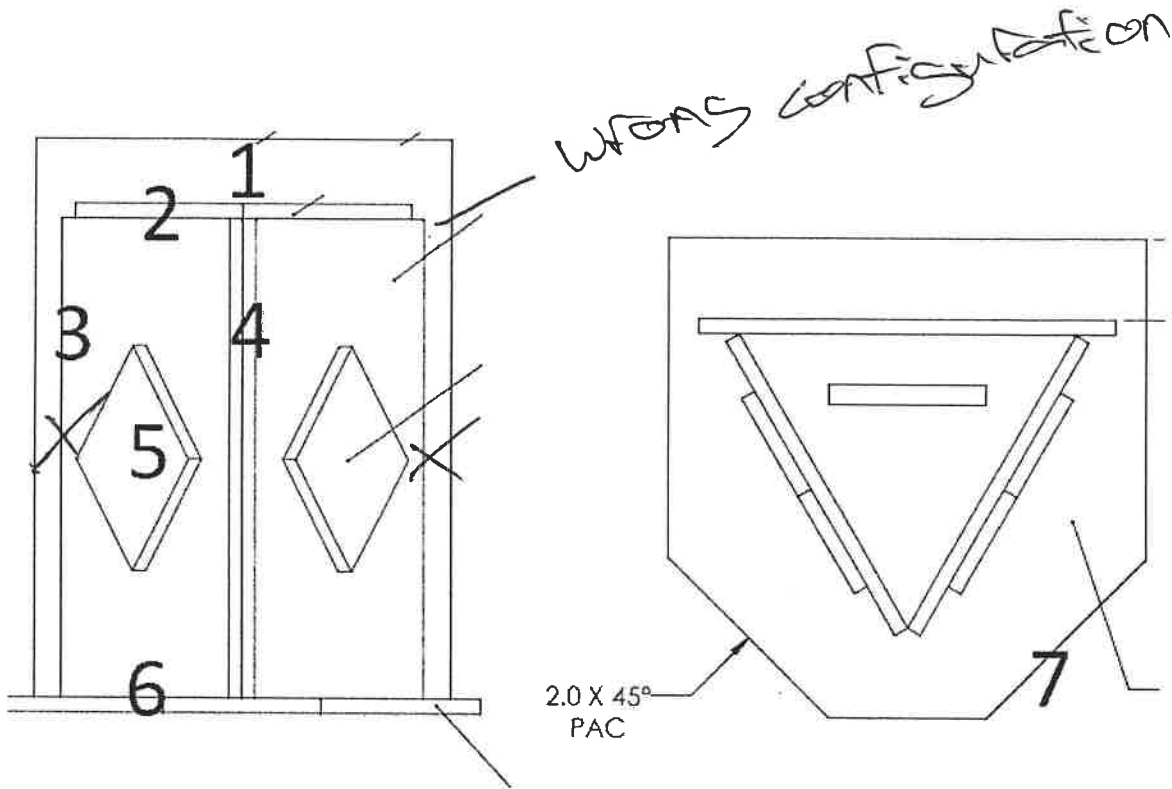
GMAW



Weld #	Description	Points Possible	Score
1	Back of lid	10	7
2	Cap	10	6
3	Vertical Up	10	5
4	Vertical Down	10	5
5	Diamonds	10	6
6	Base	15	7
7	PAC	10	6
Penalty -		Total Points /75	42 /75

Contest # 1792

GMAW

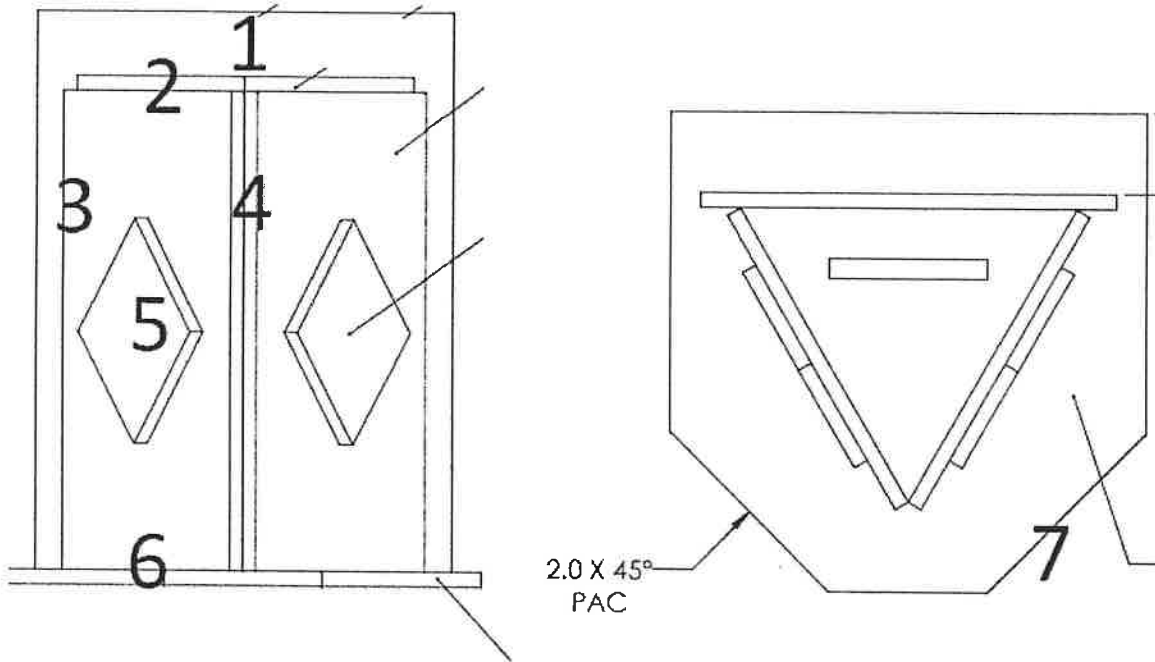


Weld #	Description	Points Possible	Score
1	Back of lid	10	0
2	Cap	10	0
3	Vertical Up	10	0
4	Vertical Down	10	3
5	Diamonds	10	0
6	Base	15	5
7	PAC	10	0
Penalty -		Total Points /75	8 /75

Contest #

~~481~~ 1811

GMAW

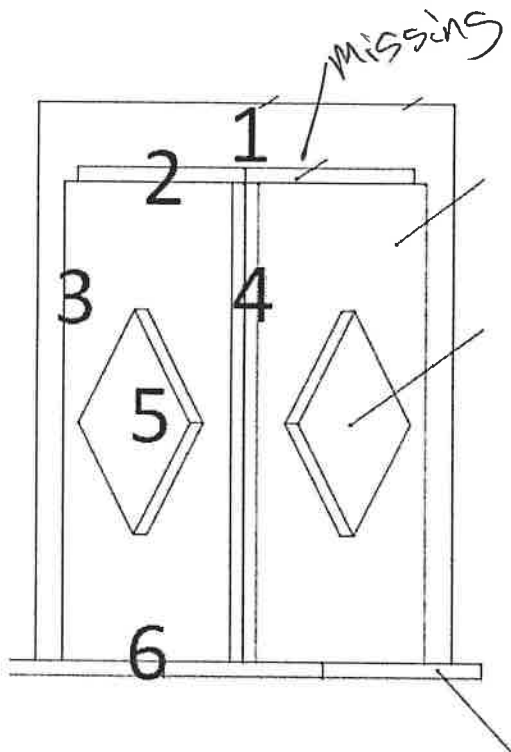


Weld #	Description	Points Possible	Score
1	Back of lid	10	7
2	Cap	10	6 B
3	Vertical Up	10	5
4	Vertical Down	10	8 B
5	Diamonds	10	6
6	Base	15	10 19
7	<i>2 in legs not Hy pot nose</i> PAC	10	3
Penalty -		Total Points /75	45 175

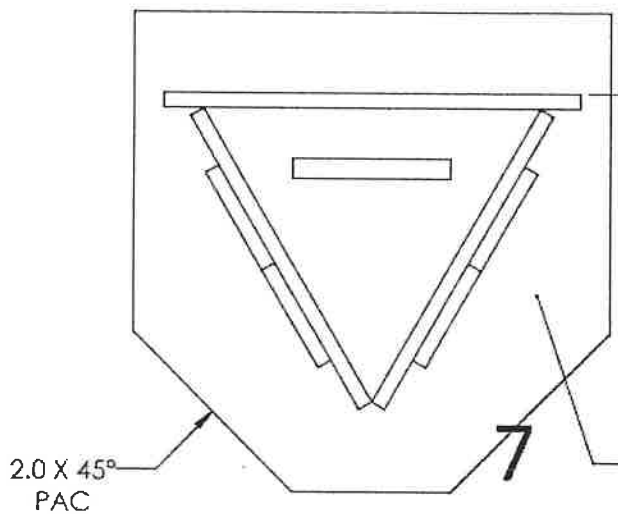


Contest # 1829

GMAW



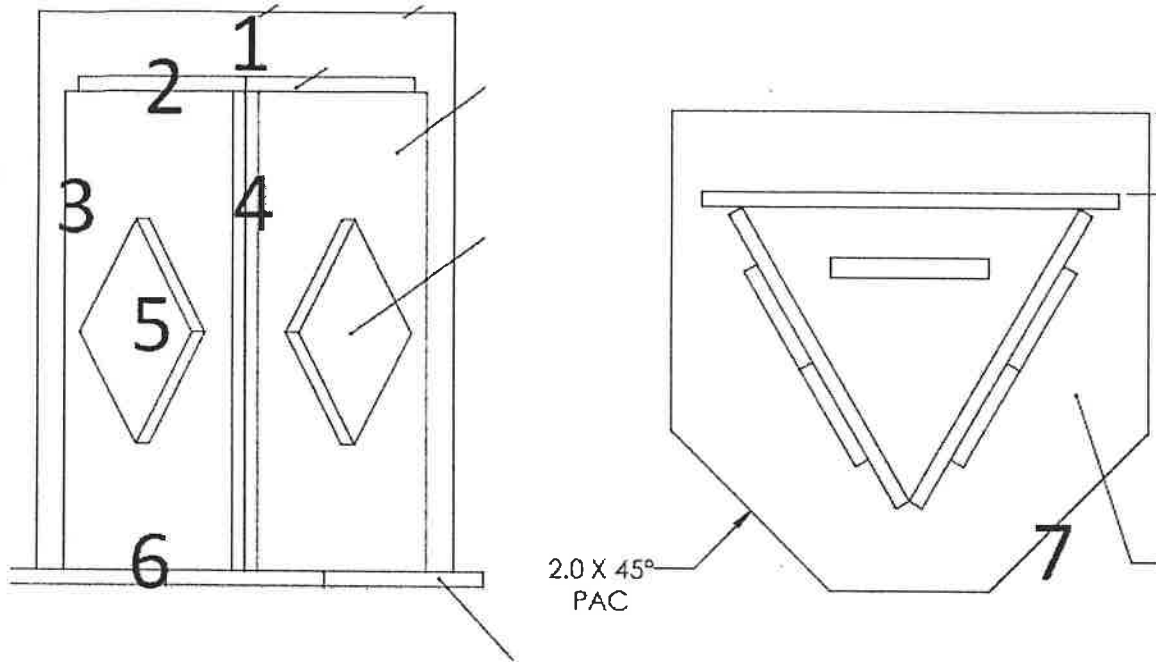
* check gas



Weld #	Description	Points Possible	Score
1	Back of lid	10	0
2	Cap	10	0 2
3	Vertical Up	10	3
4	Vertical Down	10	1
5	Diamonds	10	2
6	Base	15	4
7	PAC	10	2
Penalty -		Total Points /75	14 14 /75

Contest # 1833

GMAW

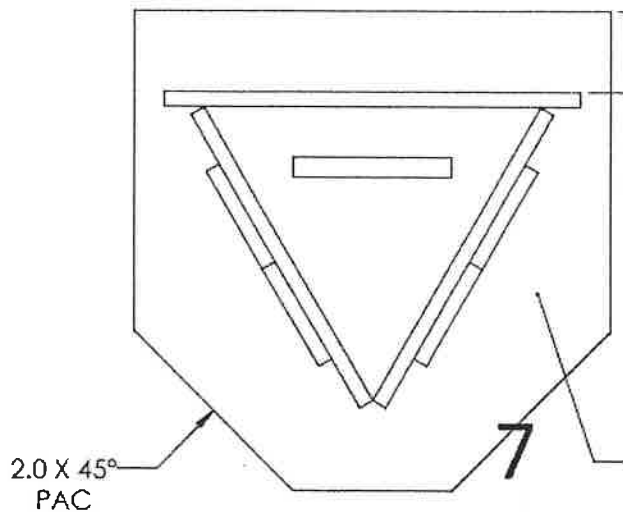
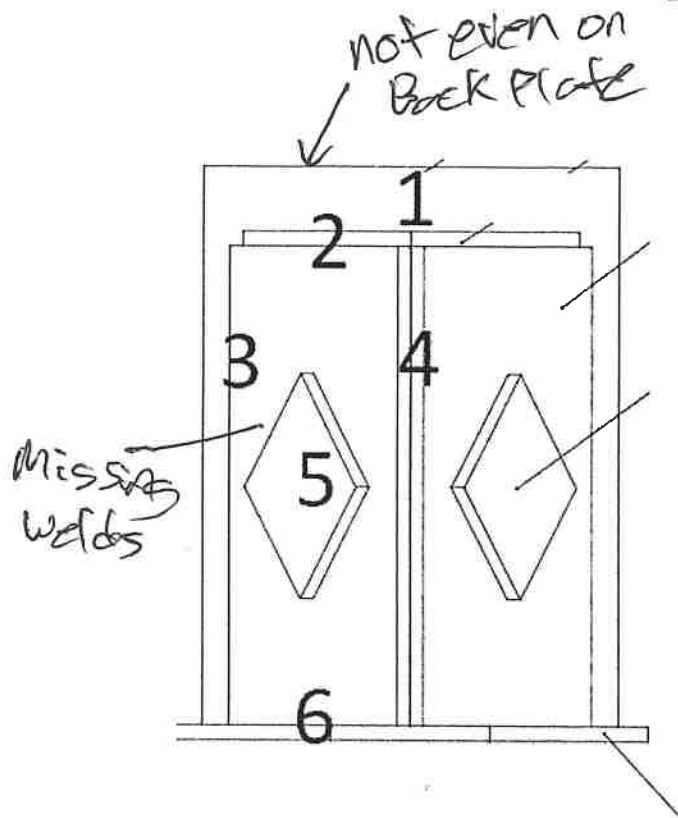


Weld #	Description	Points Possible	Score
1	Back of lid	10	7
2	Cap	10	6 } B
3	Vertical Up	10	5
4	Vertical Down	10	7 } 19
5	Diamonds	10	7
6	Base	15	9
7	PAC	10	9 } 18
Penalty -		Total Points /75	50 } 175

Contest #

1002

GMAW

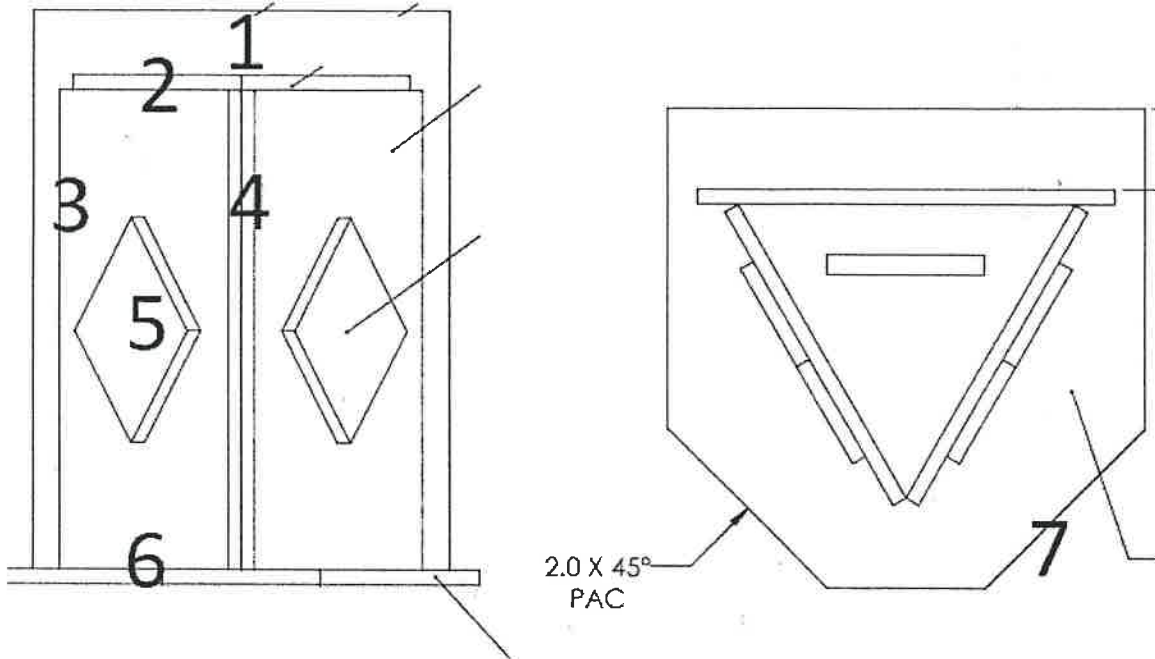


Weld #	Description	Points Possible	Score
1	Back of lid	10	6
2	Cap	10	3
3	Vertical Up	10	3
4	Vertical Down	10	4
5	Diamonds	10	3
6	Base	15	8
7	PAC	10	6
Penalty - 5		Total Points /75	28 175

33

Contest # 1020

GMAW



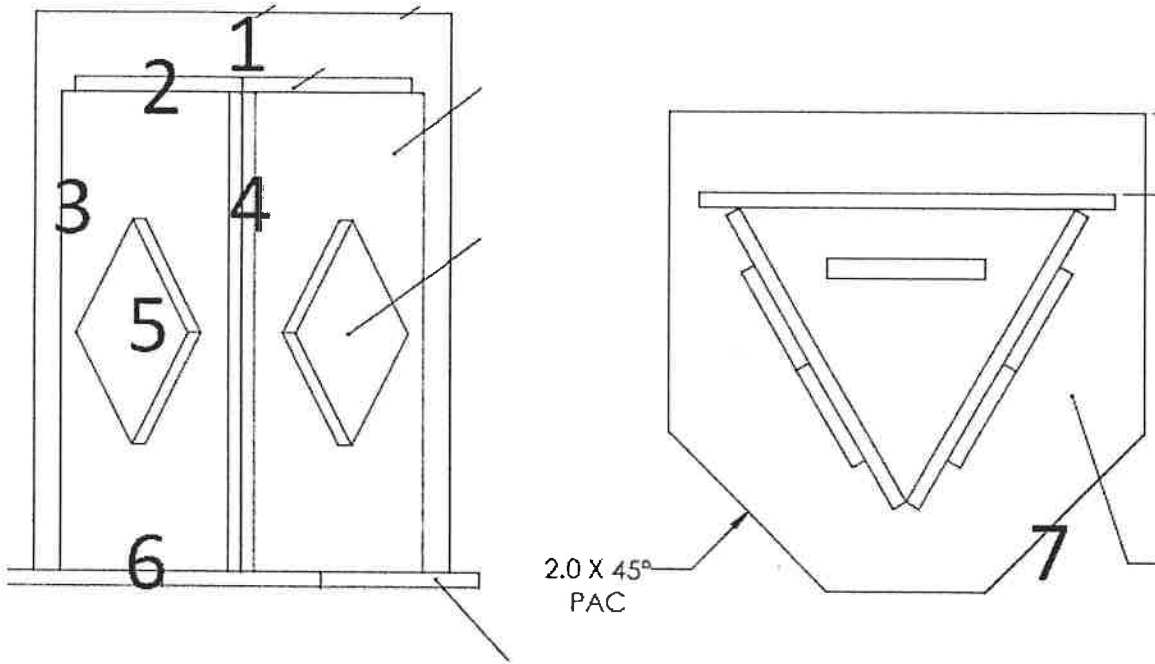
Weld #	Description	Points Possible	Score
1	Back of lid	10	8
2	Cap	10	6
3	Vertical Up	10	5
4	Vertical Down	10	8
5	Diamonds	10	5
6	Base	15	6 9 19
7	PAC	10	5
Penalty -		Total Points /75	46 /75

✓

Contest # 1047

* turn WFS + V up

GMAW

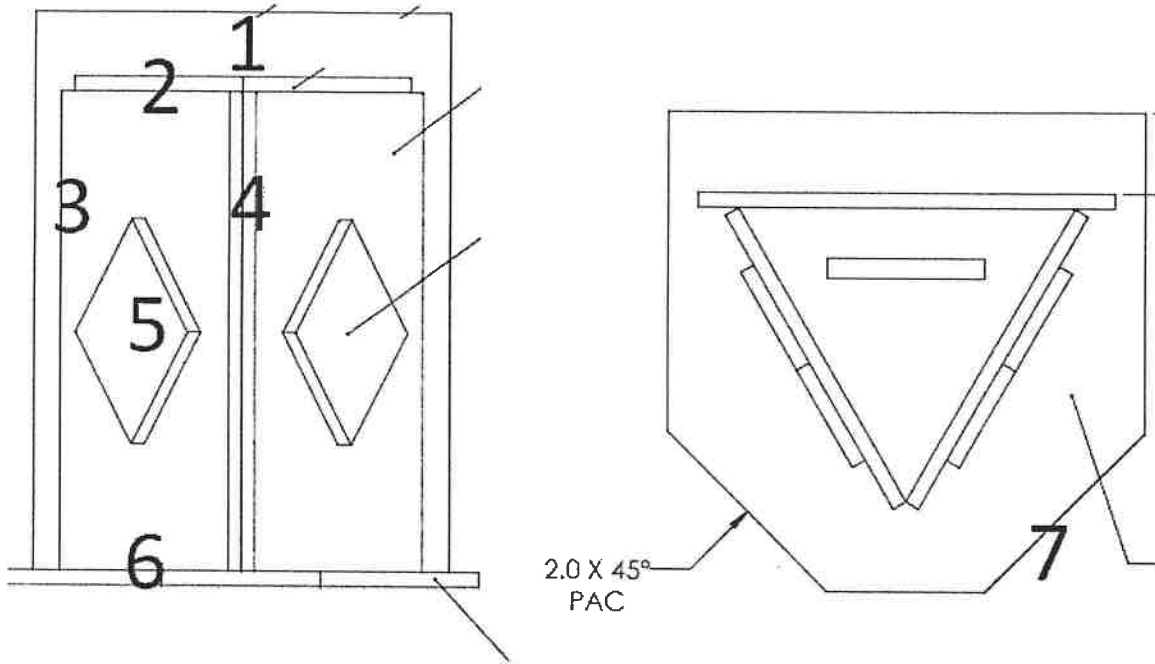


Weld #	Description	Points Possible	Score
1	Back of lid	10	3
2	Cap	10	3
3	Vertical Up	10	3
4	Vertical Down	10	3
5	Diamonds	10	3
6	Base	15	4
7	PAC	10	6
Penalty -		Total Points /75	25 /75

Contest # 1080

GMAW

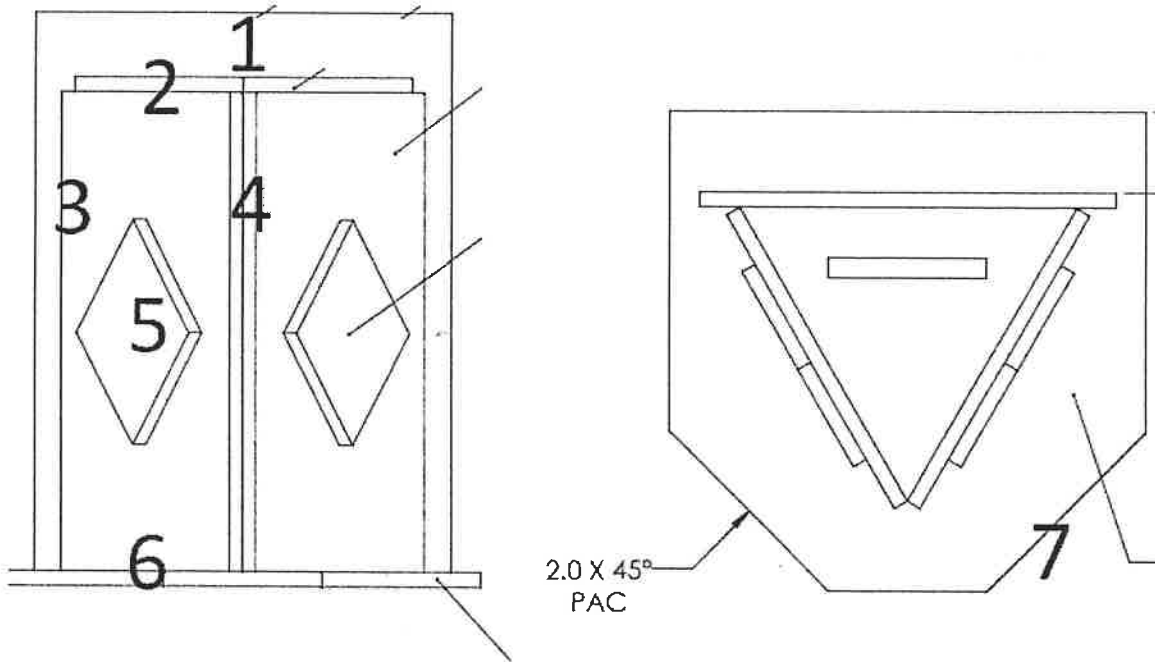
★ check for gas flow
★ check your settings!



Weld #	Description	Points Possible	Score
1	Back of lid	10	0
2	Cap	10	1
3	Vertical Up	10	1
4	Vertical Down	10	1
5	Diamonds	10	1
6	Base	15	1
7	PAC	10	3
Penalty -		Total Points /75	8 8 /75

Contest # 1089

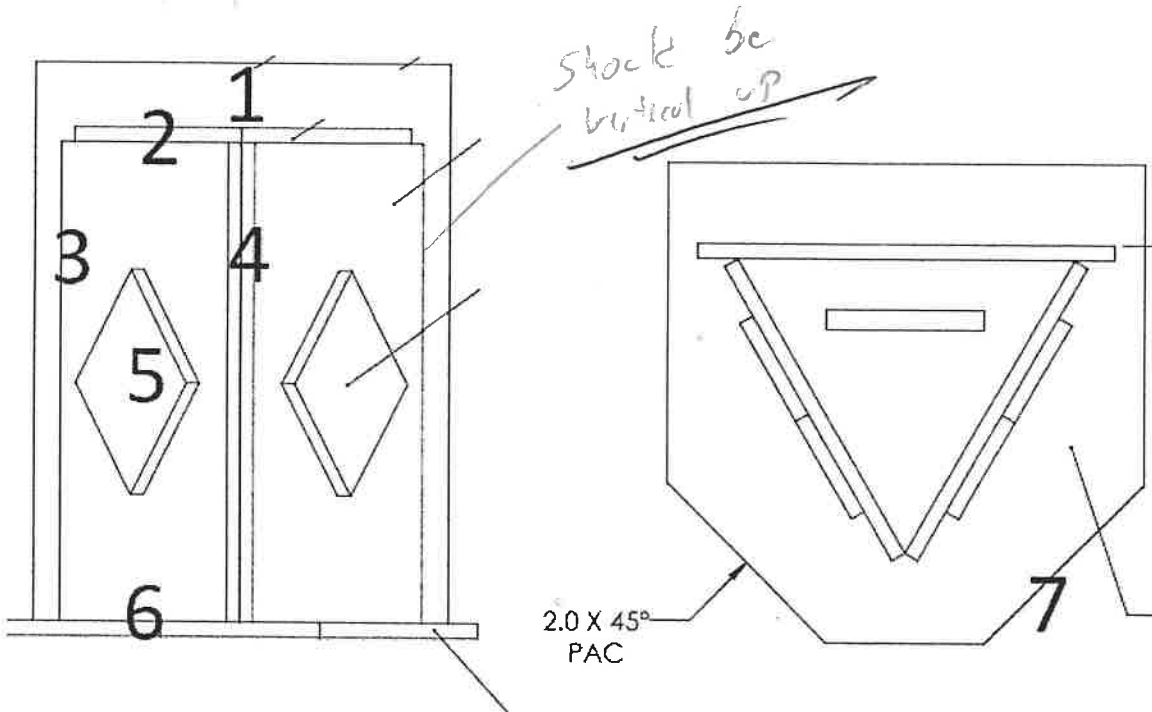
GMAW



Weld #	Description	Points Possible	Score
1	Back of lid	10	6
2	Cap	10	4 10
3	Vertical Up	10	3
4	Vertical Down	10	6 14
5	Diamonds	10	5
6	Base	15	8 14
7	PAC	10	6
Penalty -		Total Points /75	38 175

Contest # 1102

GMAW

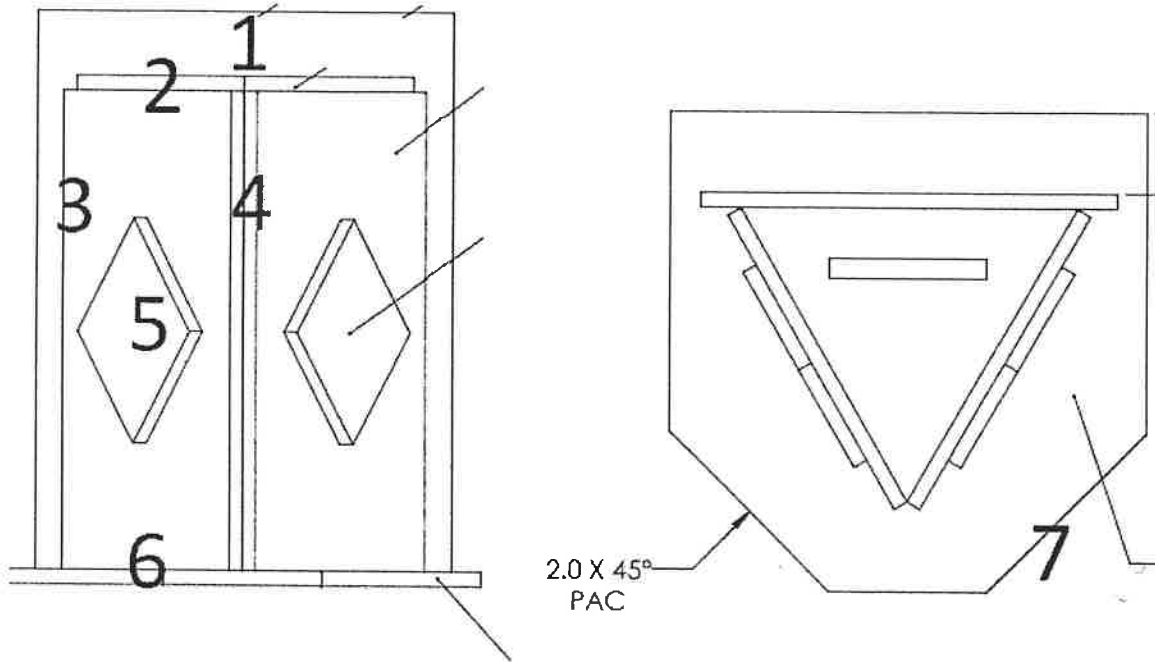


Weld #	Description	Points Possible	Score
1	Back of lid	10	7
2	Cap	10	5 12
3	Vertical Up	10	3
4	Vertical Down	10	3 7 6
5	Diamonds	10	6 6
6	Base	15	9 7 21
7	PAC	10	6
Penalty -	-2 2 welds on V down	Total Points /75	37 175



Contest # 1119

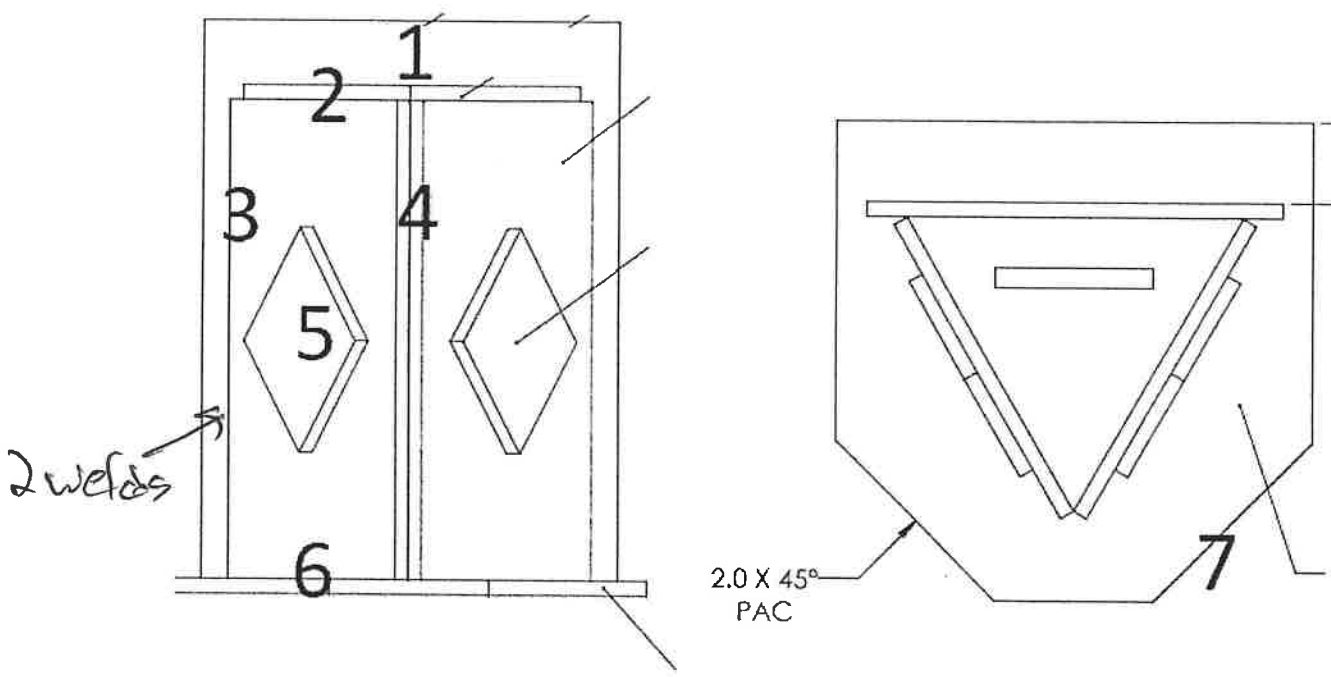
GMAW



Weld #	Description	Points Possible	Score
1	Back of lid	10	6
2	Cap	10	3
3	Vertical Up	10	3
4	Vertical Down	10	4
5	Diamonds	10	5
6	Base	15	8
7	PAC	10	6
Penalty -		Total Points /75	35 /75

Contest # 1135

* Turn up WFSF Voltage GMAW



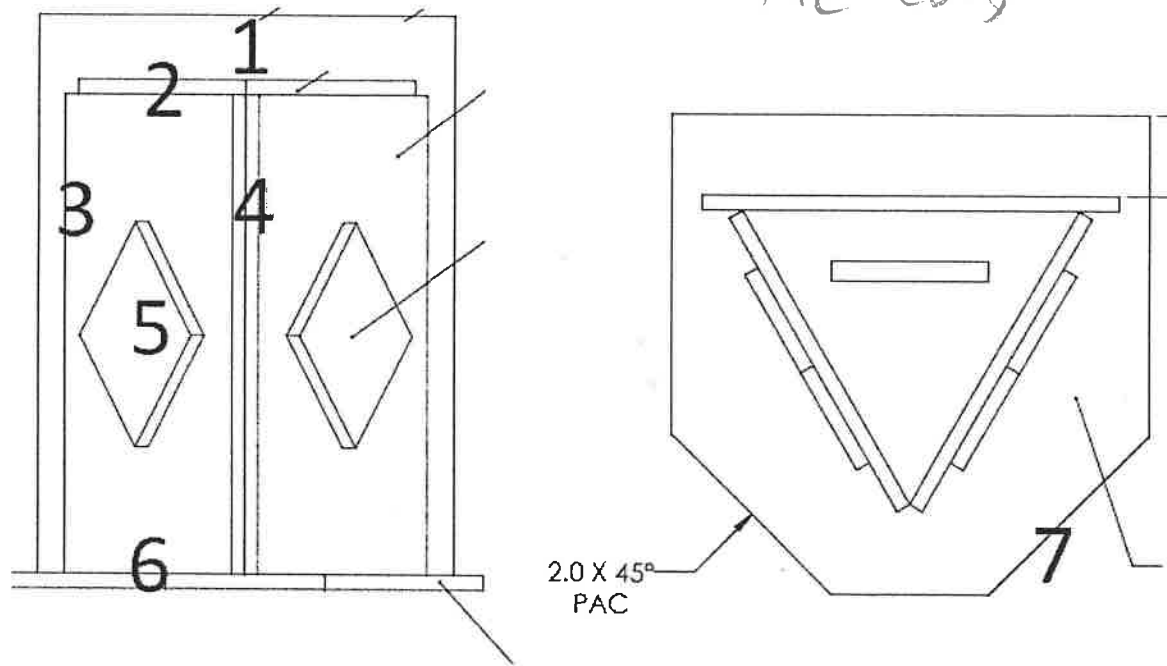
Weld #	Description	Points Possible	Score
1	Back of lid	10	3
2	Cap	10	4 / 10
3	Vertical Up	10	3 /
4	Vertical Down	10	4 /
5	Diamonds	10	3
6	Base	15	7 / 14
7	PAC	10	7
Penalty - -2 (2 welds)		Total Points /75	29 /75



Contest # 1161

GMAW

Really Good Job Demonstrating
the cuts



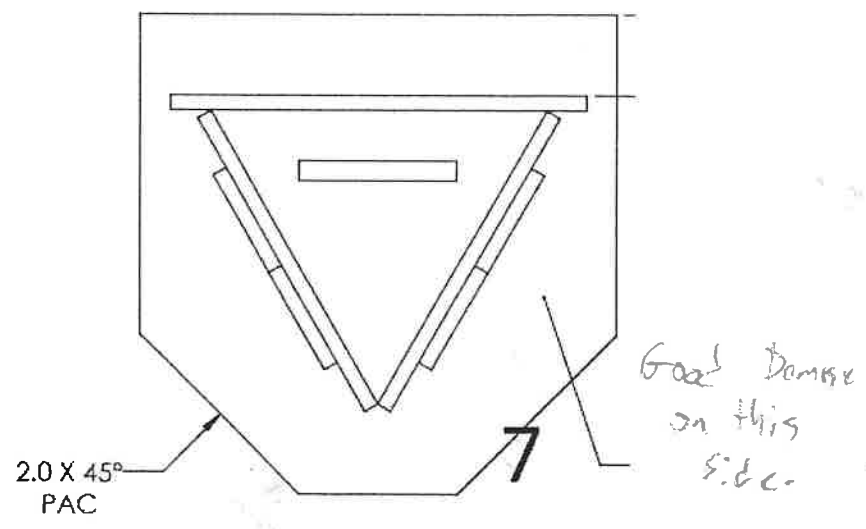
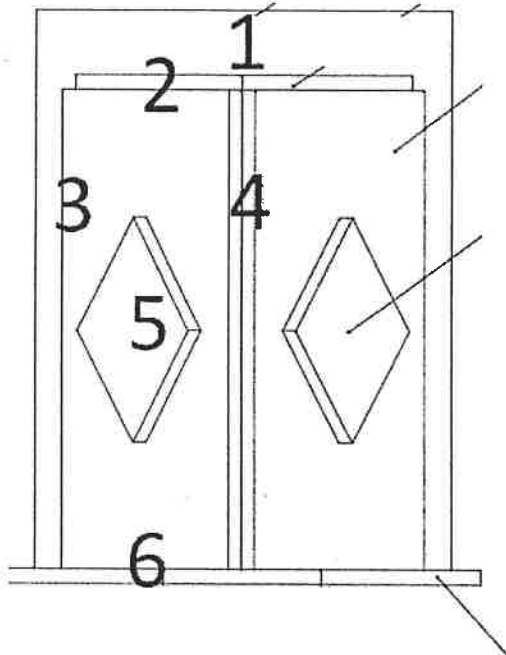
Weld #	Description	Points Possible	Score
1	Back of lid	10	3
2	Cap	10	3
3	Vertical Up	10	3 15
4	Vertical Down	10	3
5	Diamonds	10	3
6	Base	15	5
7	PAC	10	7
Penalty -- 2 (keel on cuts)		Total Points / 75	20 / 75

-5 (mixed Base Plates)



Contest # 1163

GMAW

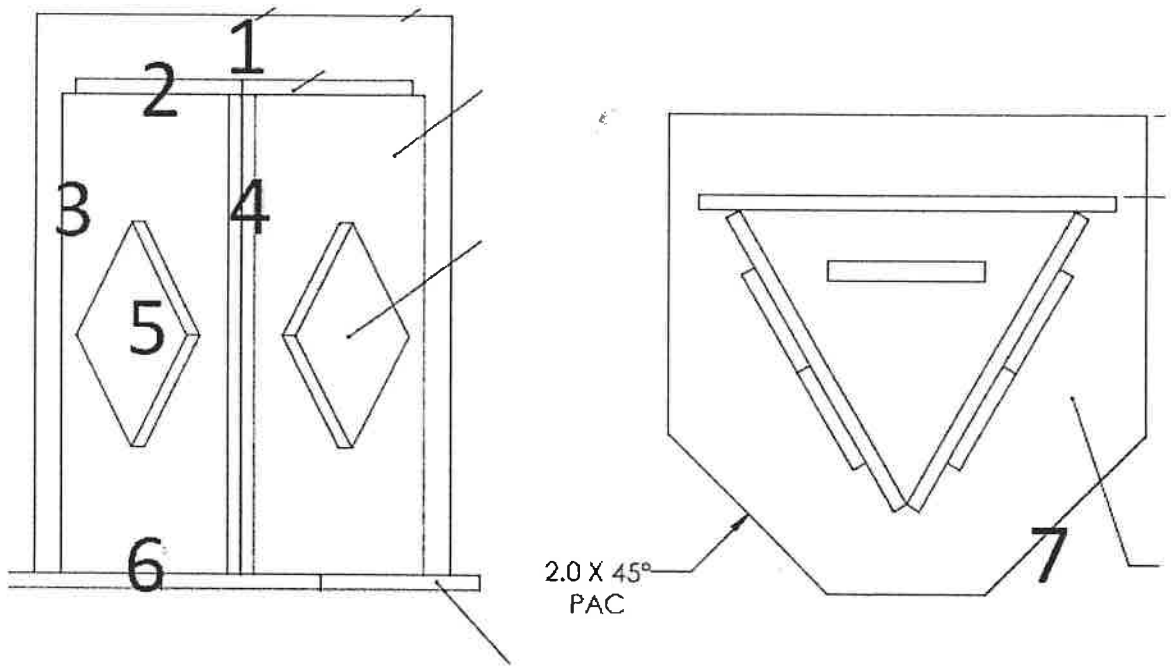


Weld #	Description	Points Possible	Score
1	Back of lid	10	4
2	Cap	10	3 77
3	Vertical Up	10	3
4	Vertical Down	10	3 9
5	Diamonds	10	3 12
6	Base	15	7
7	PAC	10	5
Penalty -		Total Points /75	28 175



Contest # 1187

GMAW

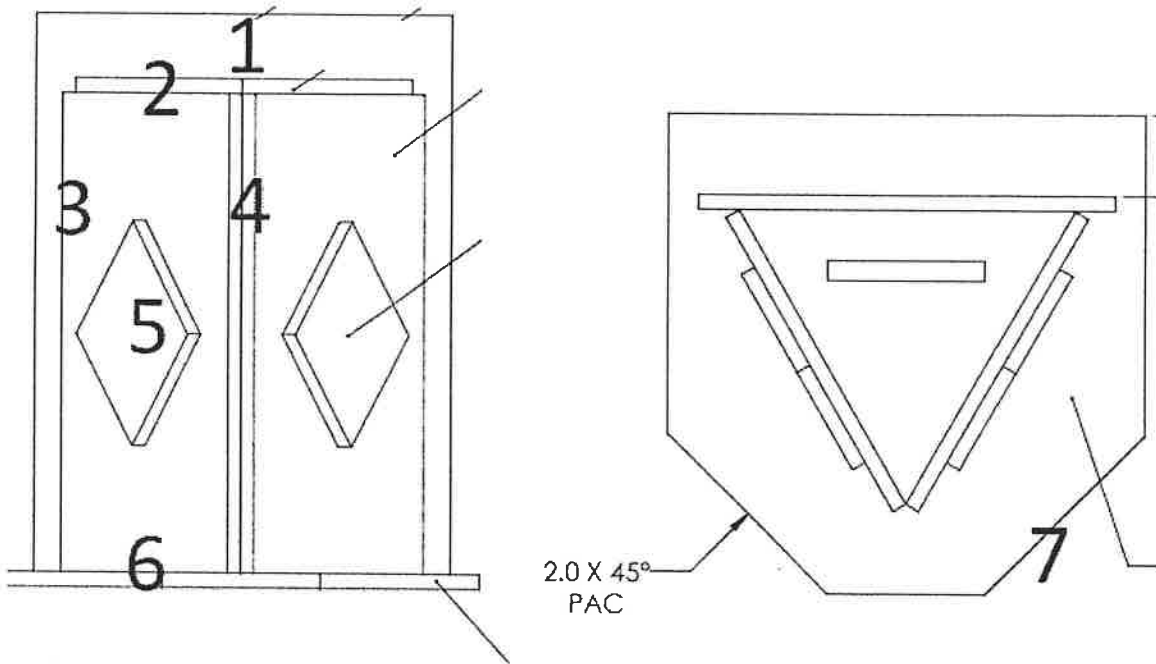


Weld #	Description	Points Possible	Score
1	Back of lid	10	6
2	Cap	10	7 13
3	Vertical Up	10	4
4	Vertical Down	10	5 } 19
5	Diamonds	10	5
6	Base	15	9
7	PAC	10	6 } 20
Penalty -		Total Points /75	42 /75



Contest # 1208

GMAW

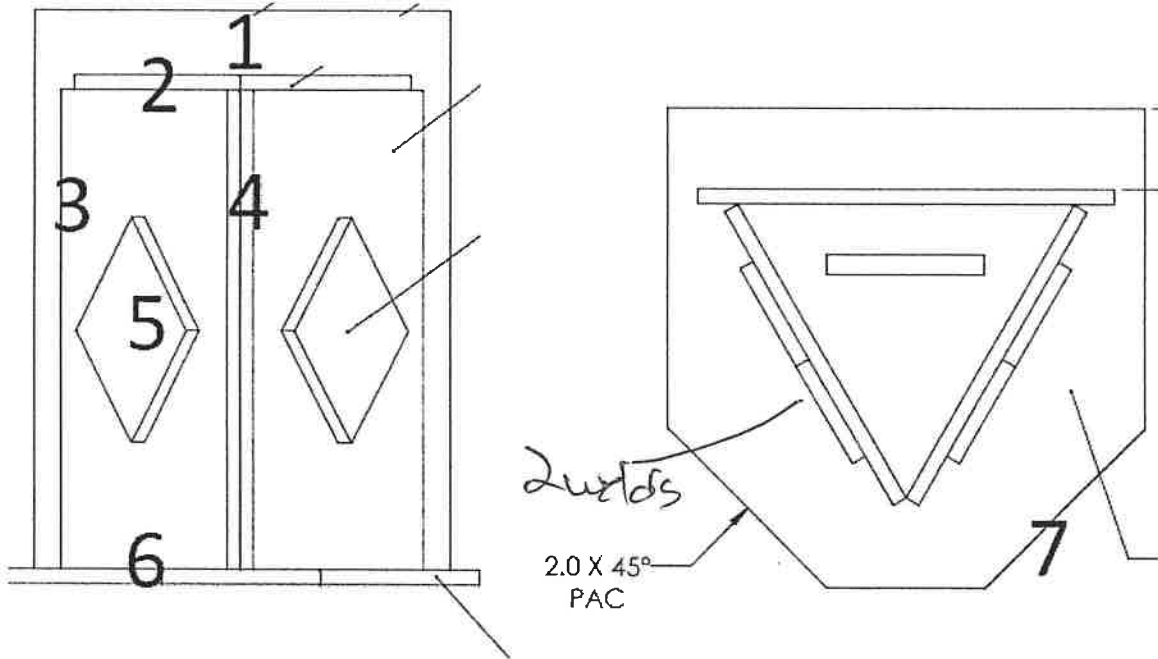


Weld #	Description	Points Possible	Score
1	Back of lid	10	4 4
2	Cap	10	4 > 11
3	Vertical Up	10	3
4	Vertical Down	10	4
5	Diamonds	10	4 > 10
6	Base	15	7 10
7	PAC	10	3
Penalty - Plasma hole - 2		Total Points / 75	27 / 75



Contest # 1211

GMAW

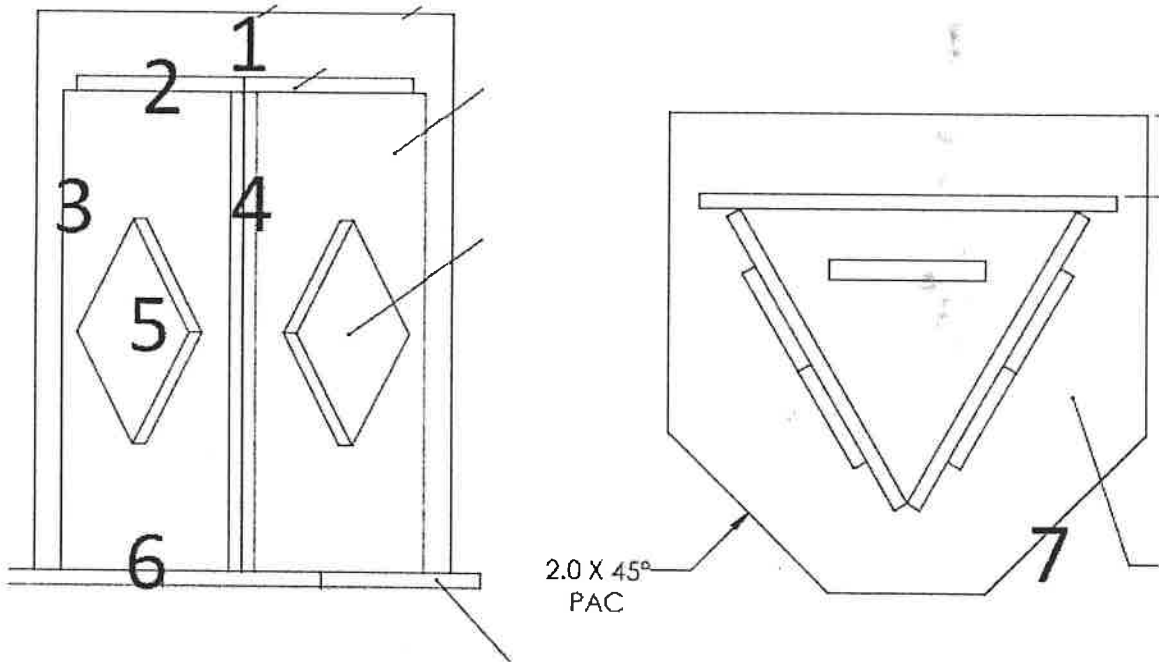


Weld #	Description	Points Possible	Score
1	Back of lid	10	3
2	Cap	10	2
3	Vertical Up	10	2
4	Vertical Down	10	4
5	Diamonds	10	4
6	Base	15	5
7	PAC	10	4
Penalty - -2 (2 welds)		Total Points /75	22 / 75

7

Contest # 1242

GMAW

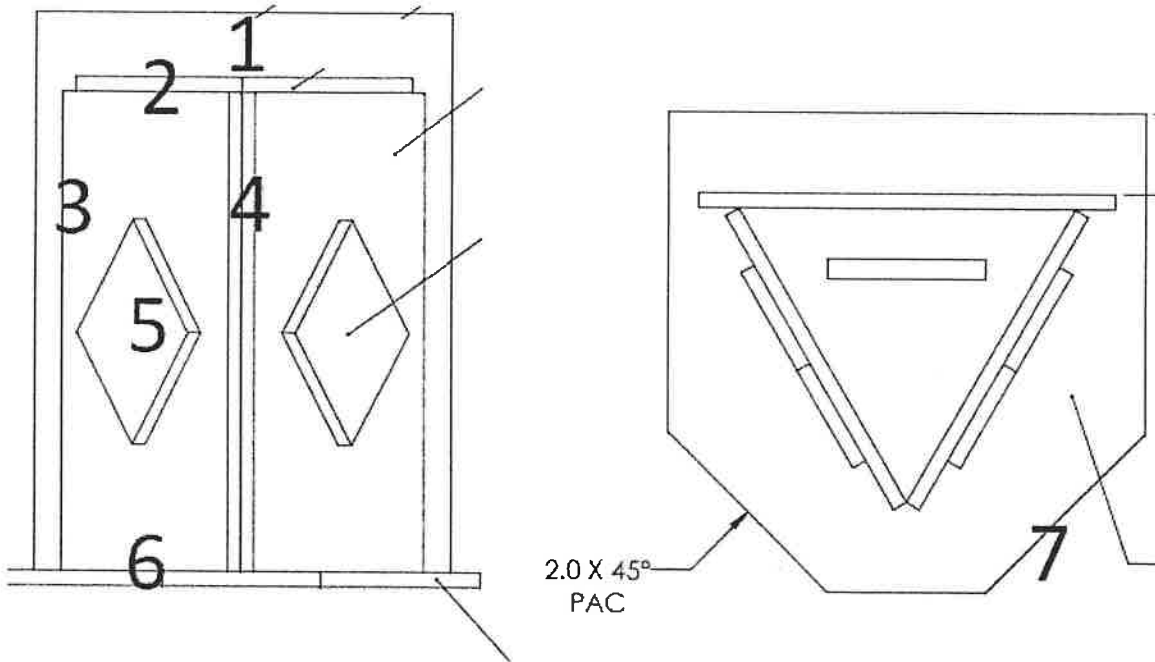


Weld #	Description	Points Possible	Score
1	Back of lid	10	6
2	Cap	10	8 4
3	Vertical Up	10	8 5
4	Vertical Down	10	5
5	Diamonds	10	6
6	Base	15	13
7	PAC	10	4
Penalty -		Total Points /75	43 /75



Contest # 1300

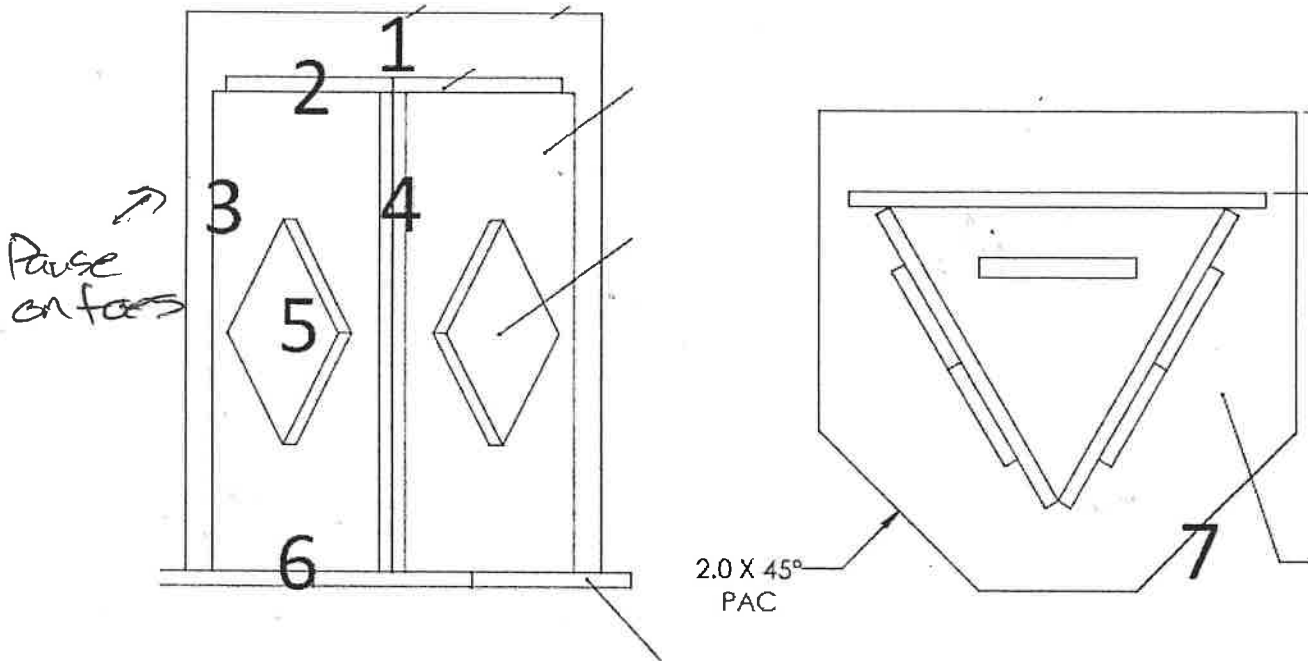
GMAW



Weld #	Description	Points Possible	Score
1	Back of lid	10	3
2	Cap	10	3
3	Vertical Up	10	3
4	Vertical Down	10	3
5	Diamonds	10	3
6	Base	15	7
7	PAC	10	3
Penalty -		Total Points /75	25 /75

Contest # 1312

GMAW

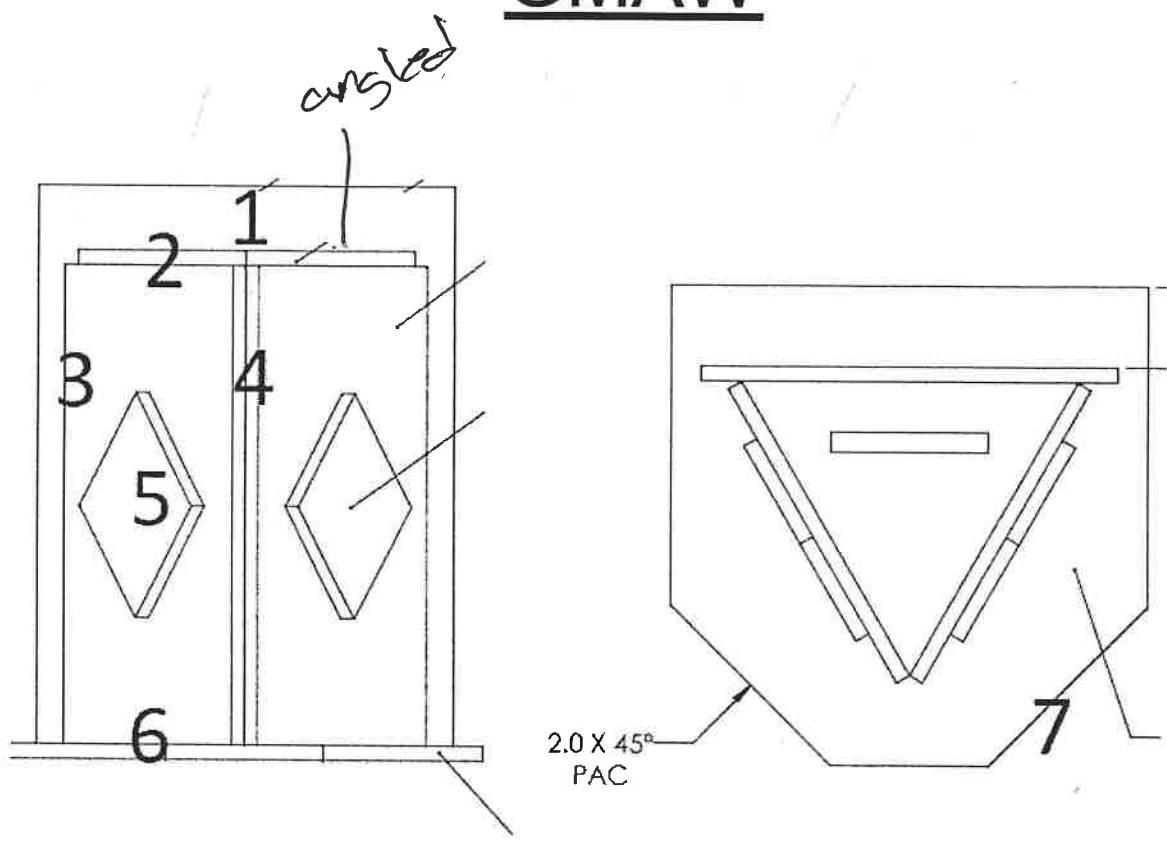


Weld #	Description	Points Possible	Score
1	Back of lid	10	7
2	Cap	10	13 > 15
3	Vertical Up	10	5
4	Vertical Down	10	7 7 19
5	Diamonds	10	7
6	Base	15	11 16
7	PAC	10	5
Penalty -		Total Points /75	50 175



Contest # 1320

GMAW

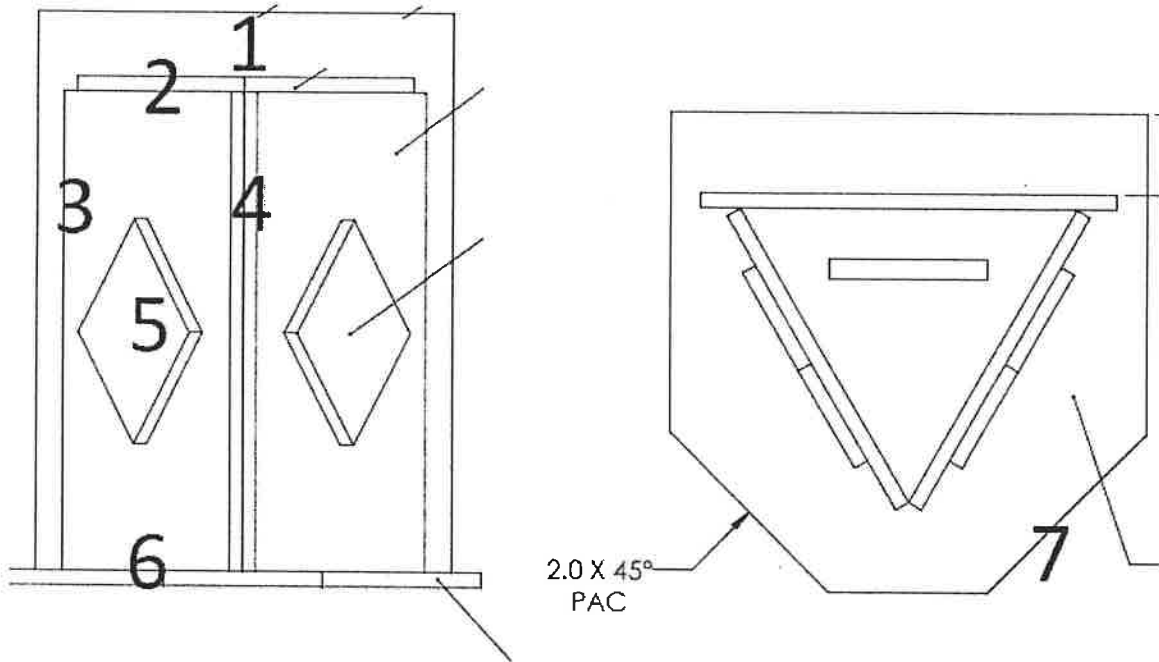


Weld #	Description	Points Possible	Score
1	Back of lid	10	3
2	Cap	10	3
3	Vertical Up	10	3
4	Vertical Down	10	6
5	Diamonds	10	3
6	Base	15	7
7	PAC	10	5
Penalty -		Total Points /75	30 /75

✓

Contest # 13 24

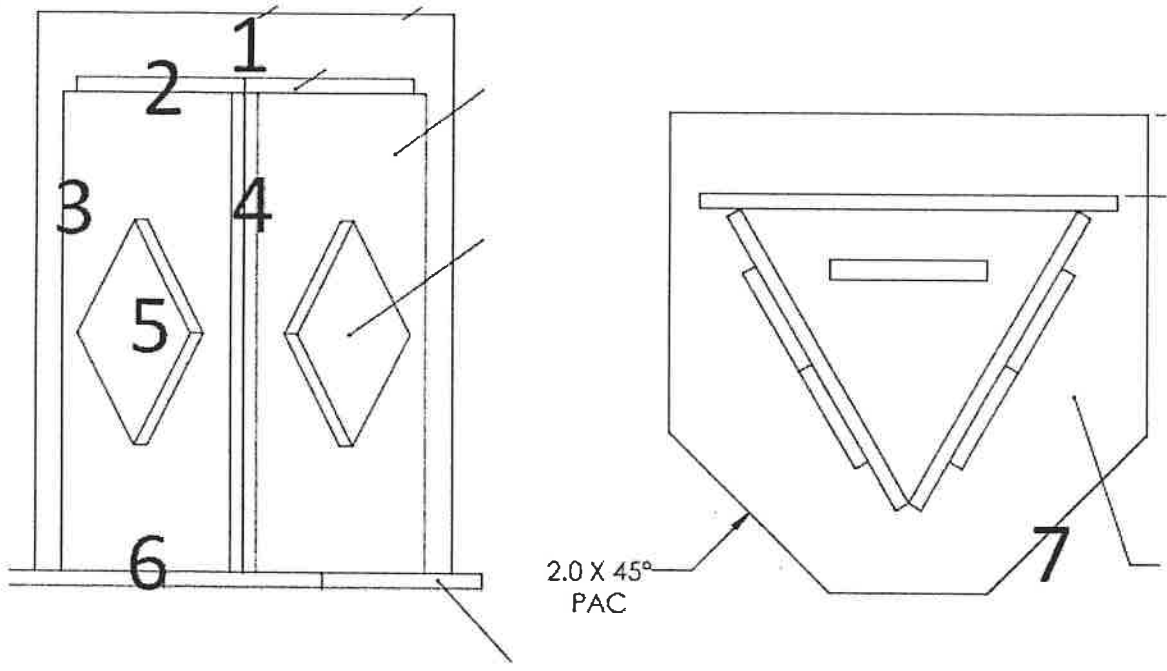
GMAW



Weld #	Description	Points Possible	Score
1	Back of lid	10	4
2	Cap	10	4
3	Vertical Up	10	3
4	Vertical Down	10	6
5	Diamonds	10	3
6	Base	15	10
7	PAC	10	3
Penalty -		Total Points /75	33 /75

Contest # 1327

GMAW

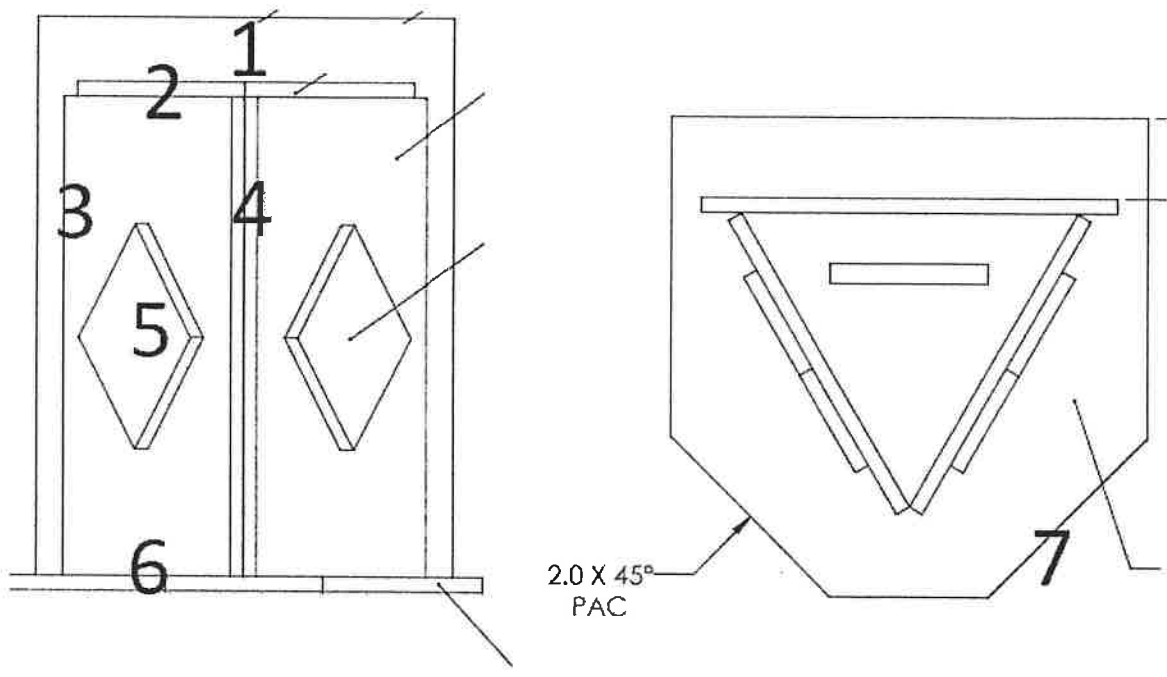


Weld #	Description	Points Possible	Score
1	Back of lid	10	6
2	Cap	10	5) 11
3	Vertical Up	10	4
4	Vertical Down	10	4) 12
5	Diamonds	10	4
6	Base	15	10) 15
7	PAC	10	5) 15
Penalty -		Total Points /75	38 / 38 175

✓

Contest # 1330

GMAW

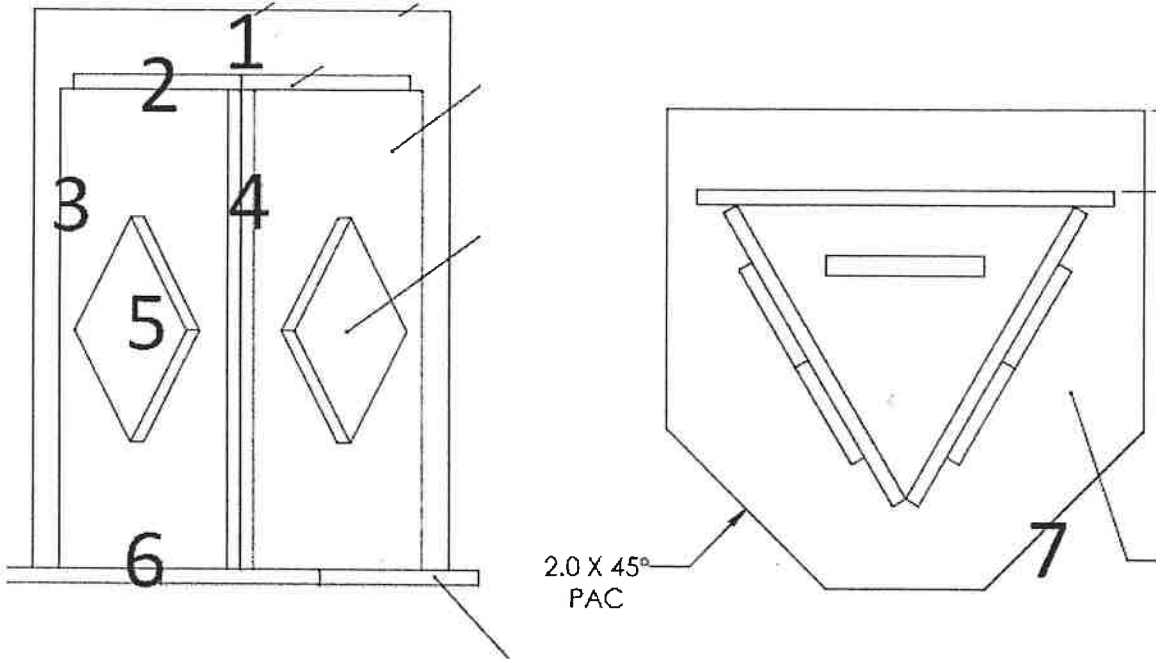


Weld #	Description	Points Possible	Score
1	Back of lid	10	8
2	Cap	10	3
3	Vertical Up	10	3 710
4	Vertical Down	10	4
5	Diamonds	10	5 712
6	Base	15	7 712
7	PAC	10	8
Penalty -		Total Points /75	22 175

J

Contest # 1362

GMAW

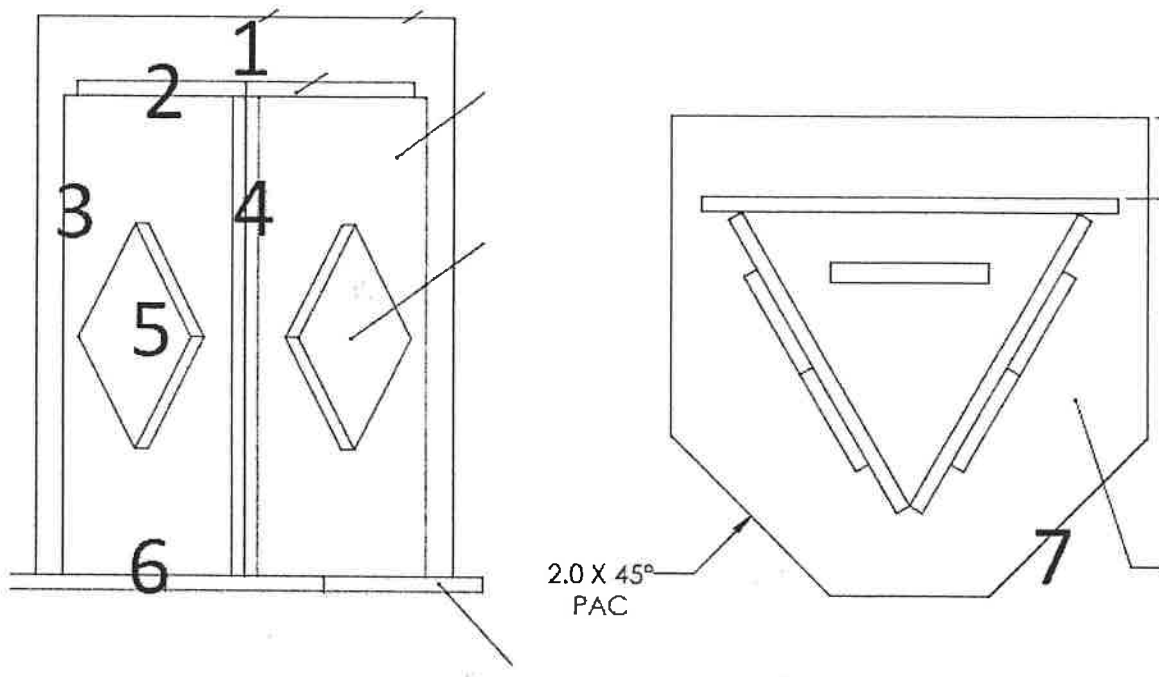


Weld #	Description	Points Possible	Score
1	Back of lid	10	8
2	Cap	10	4 7 12
3	Vertical Up	10	6 7
4	Vertical Down	10	7 13
5	Diamonds	10	5
6	Base	15	9 21
7	PAC	10	7
Penalty -		Total Points /75	46 175

✓

Contest # 1367

GMAW

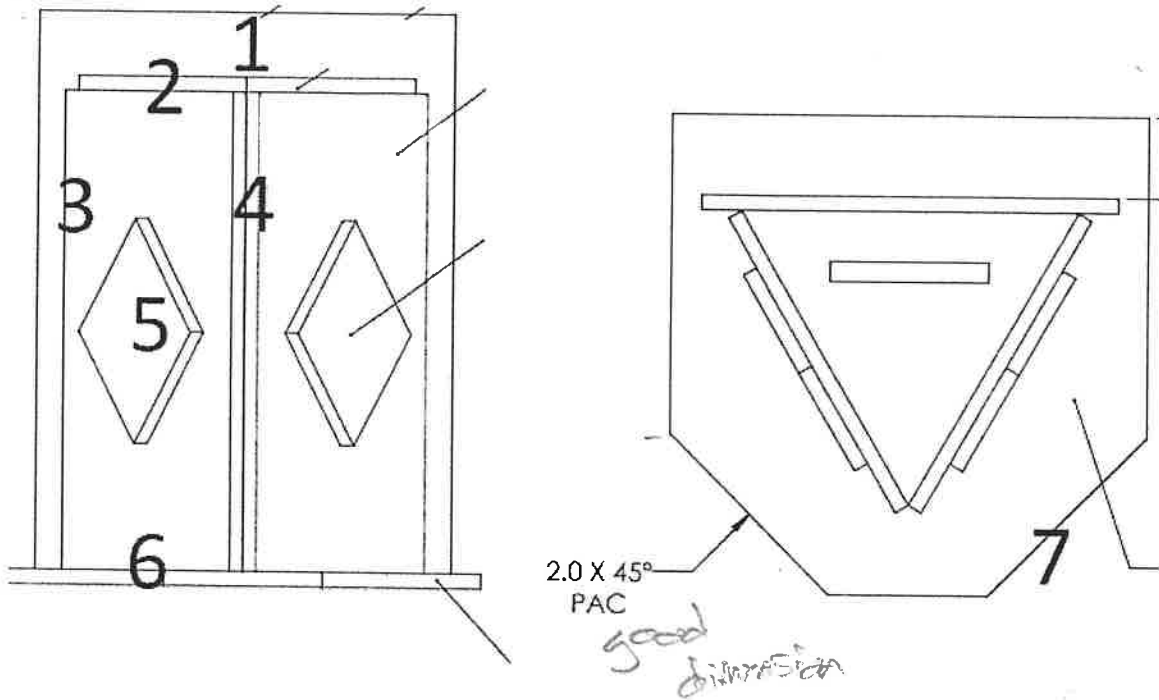


Weld #	Description	Points Possible	Score
1	Back of lid	10	7
2	Cap	10	7
3	Vertical Up	10	5
4	Vertical Down	10	6
5	Diamonds	10	6
6	Base	15	12
7	PAC	10	6
Penalty -		Total Points /75	49 /75

✓

Contest # 1376

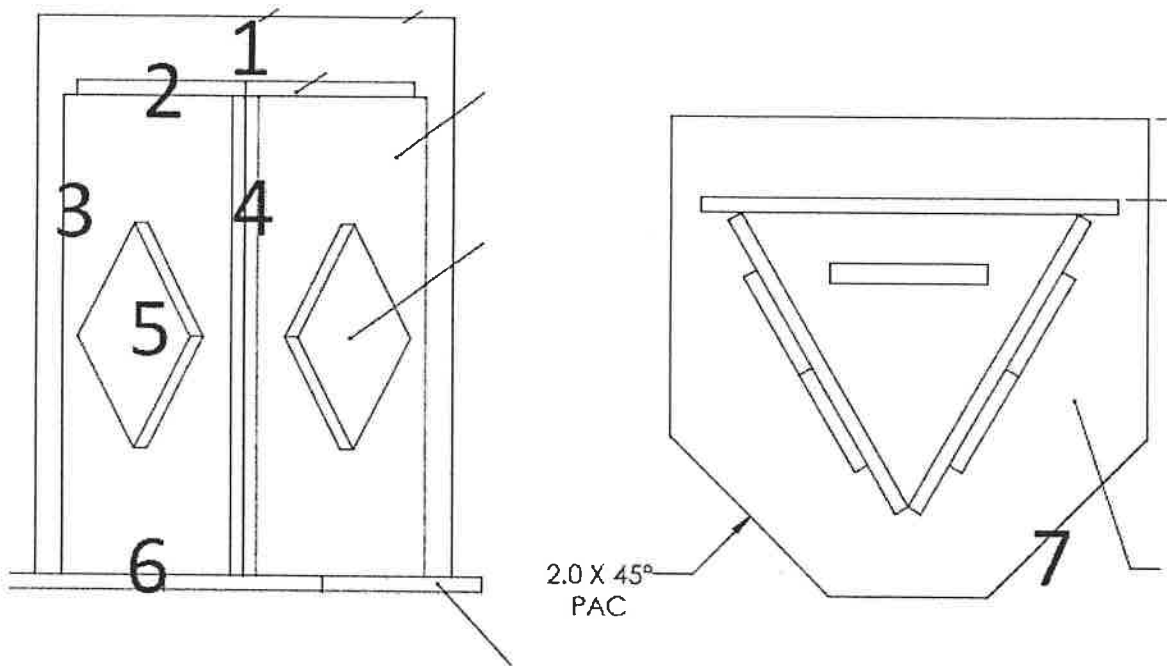
GMAW



Weld #	Description	Points Possible	Score
1	Back of lid	10	3
2	Cap	10	2
3	Vertical Up	10	3
4	Vertical Down	10	2
5	Diamonds	10	5
6	Base	15	8
7	PAC	10	7
Penalty -		Total Points /75	30 /75

Contest # 1341

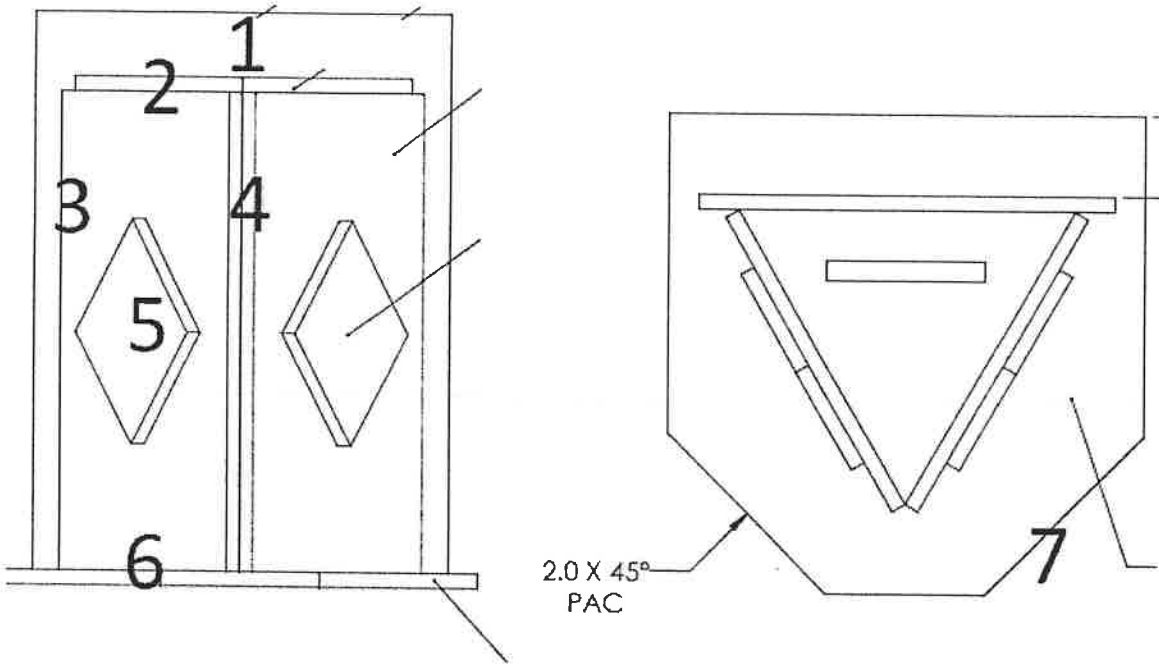
GMAW



Weld #	Description	Points Possible	Score
1	Back of lid	10	7
2	Cap	10	3
3	Vertical Up	10	3
4	Vertical Down	10	9
5	Diamonds	10	6
6	Base	15	10
7	PAC	10	6
Penalty -		Total Points /75	41 /75

Contest # 1866

GMAW



Weld #	Description	Points Possible	Score
1	Back of lid	10	4
2	Cap	10	3 } 10
3	Vertical Up	10	3
4	Vertical Down	10	3 } 10
5	Diamonds	10	3 } 10
6	Base	15	5 } 10
7	PAC	10	3 } 10
Penalty -		Total Points /75	24 /75