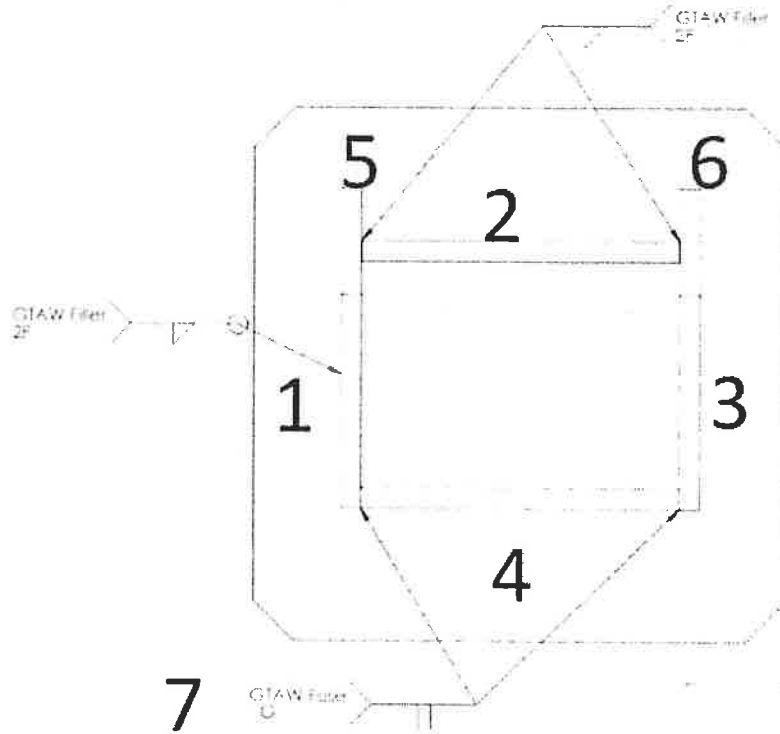


Contest # 1002

GTAW

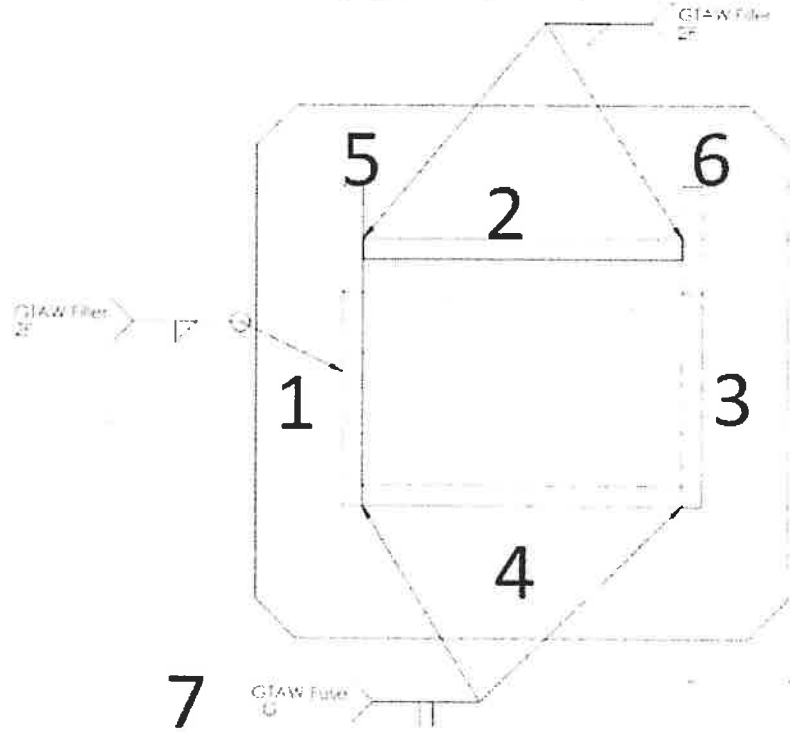


- Too much heat input  
- need better gas coverage

Weld #	Description	Points Possible	Score
1	2F BASE	10	7
2	2F BASE	10	5
3	2F BASE	10	7
4	2F BASE	10	7
5	2F Back	10	7
6	2F Back	10	6
7	1G Fuse	15	8
Penalty -		Total Points	47
			175

Contest # 1020

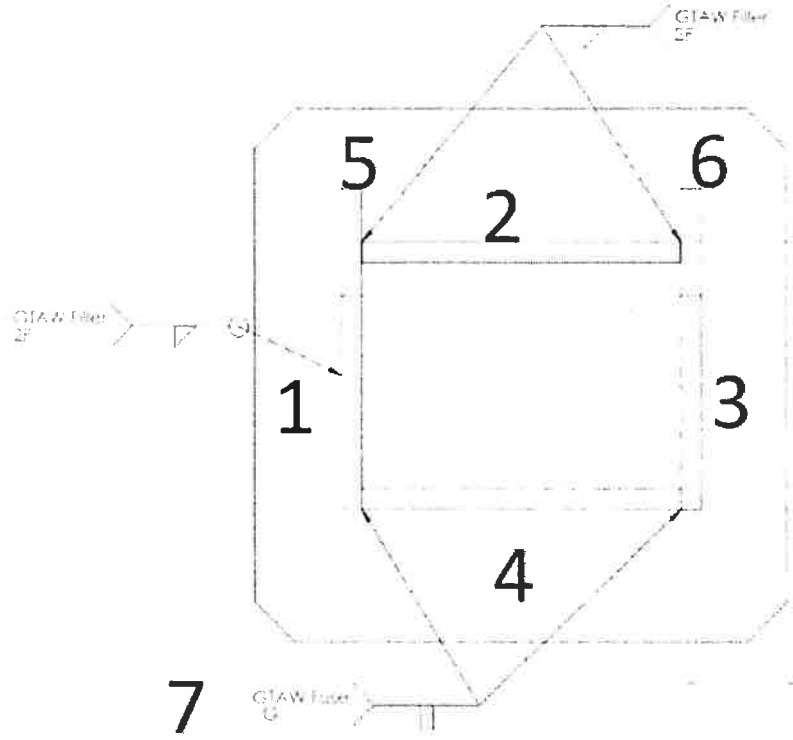
GTAW



Weld #	Description	Points Possible	Score
1	2F BASE	10	3
2	2F BASE	10	3 > 9
3	2F BASE	10	3
4	2F BASE	10	5 > 11
5	2F Back	10	6 > 11
6	2F Back	10	6 13
7	1G Fuse	15	7
Penalty - Lack of fusion, sugaring, cold lap.		Total Points	33 175

Contest # 1047

GTAW

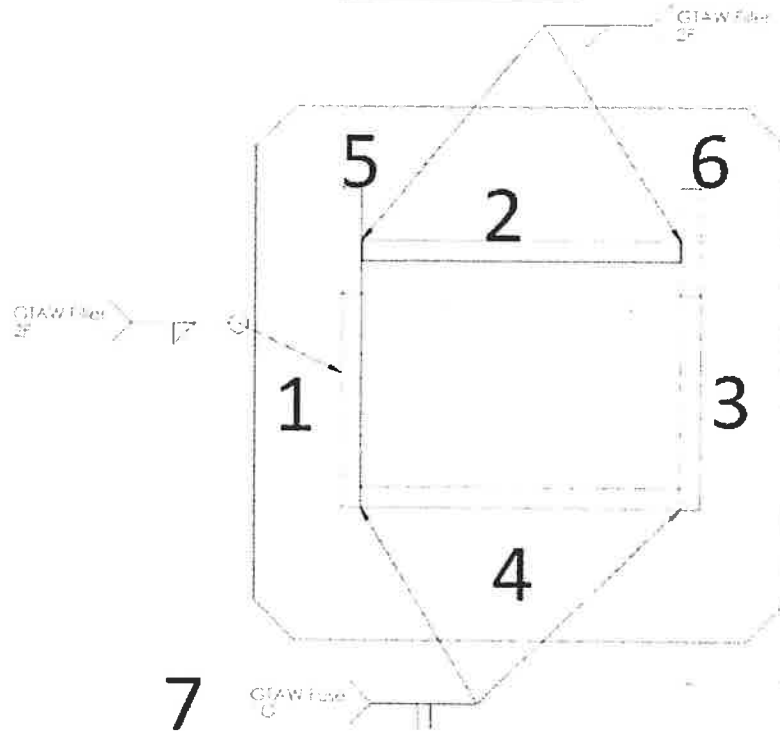


\* Better gas coverage will help.

Weld #	Description	Points Possible	Score
1	2F BASE	10	3
2	2F BASE	10	0
3	2F BASE	10	3
4	2F BASE	10	0
5	2F Back	10	2
6	2F Back	10	0
7	1G Fuse	15	5
Penalty -		Total Points	13 175

Contest # 1080

# GTAW

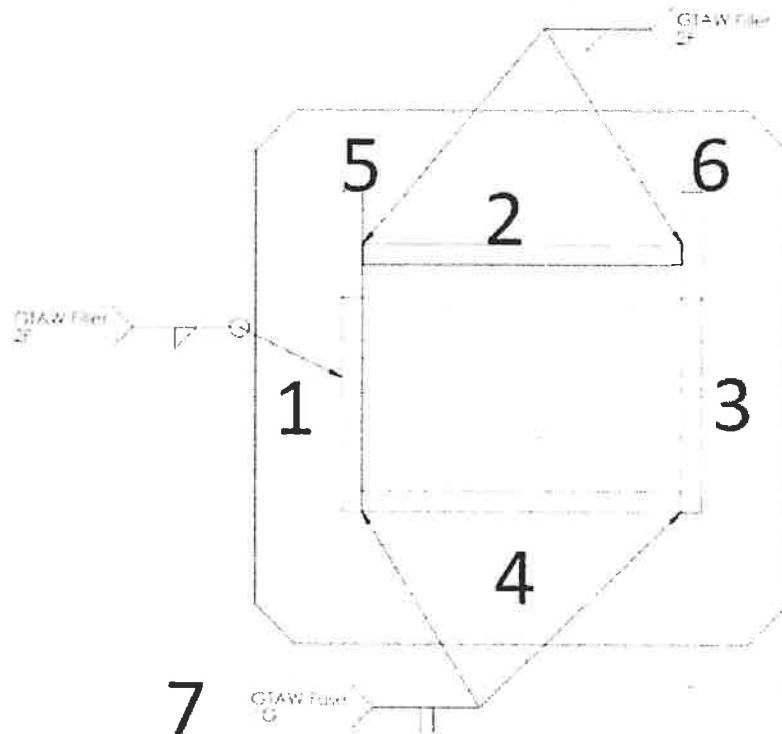


\* Need better gas coverage \*

Weld #	Description	Points Possible	Score
1	2F BASE	10	2
2	2F BASE	10	1
3	2F BASE	10	2
4	2F BASE	10	3
5	2F Back	10	1
6	2F Back	10	2
7	1G Fuse	15	2
Penalty -		Total Points	13 175

Contest # 1089

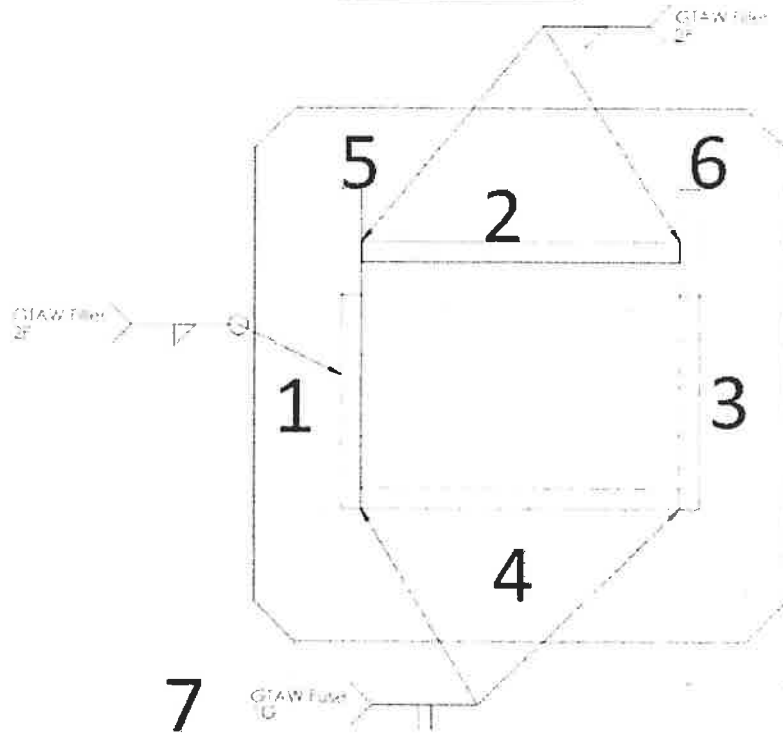
# GTAW



Weld #	Description	Points Possible	Score
1	2F BASE	10	7
2	2F BASE	10	6 > 13
3	2F BASE	10	7 > 11
4	2F BASE	10	7 > 11
5	2F Back	10	6
6	2F Back	10	7 30
7	1G Fuse	15	7
Penalty - cold lap, undercut, incomplete joints, sparging.		Total Points	47 175

Contest # 1102

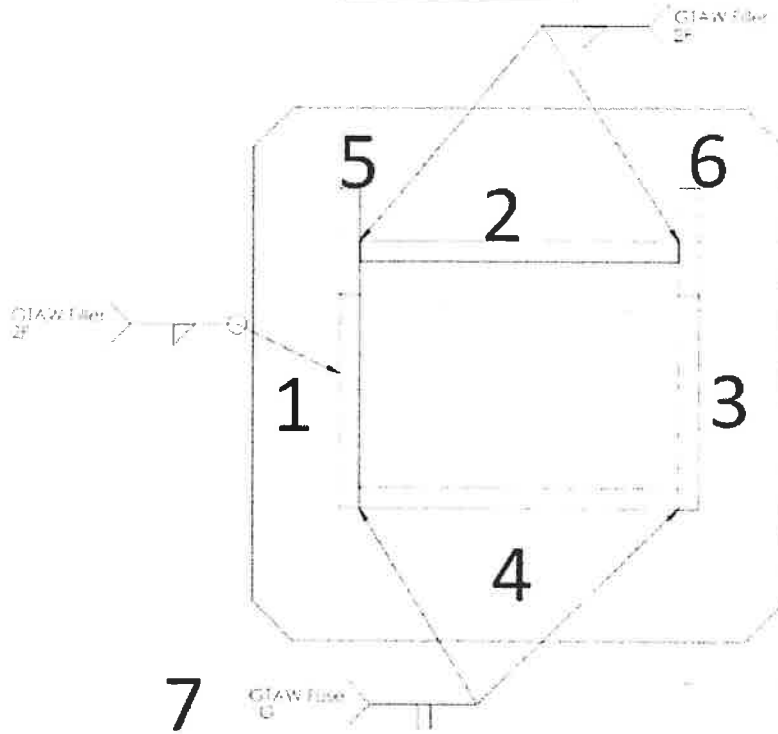
# GTAW



Weld #	Description	Points Possible	Score
1	2F BASE	10	3
2	2F BASE	10	6
3	2F BASE	10	6
4	2F BASE	10	1
5	2F Back	10	0
6	2F Back	10	0
7	1G Fuse	15	4
Penalty - Fit up Backwards. Lack of Fusion, Sugaring, Burn through Undercut, Cold lap,		Total Points	20 175

Contest # 1119

GTAW



\* too much heat  
\* watch gas coverage.

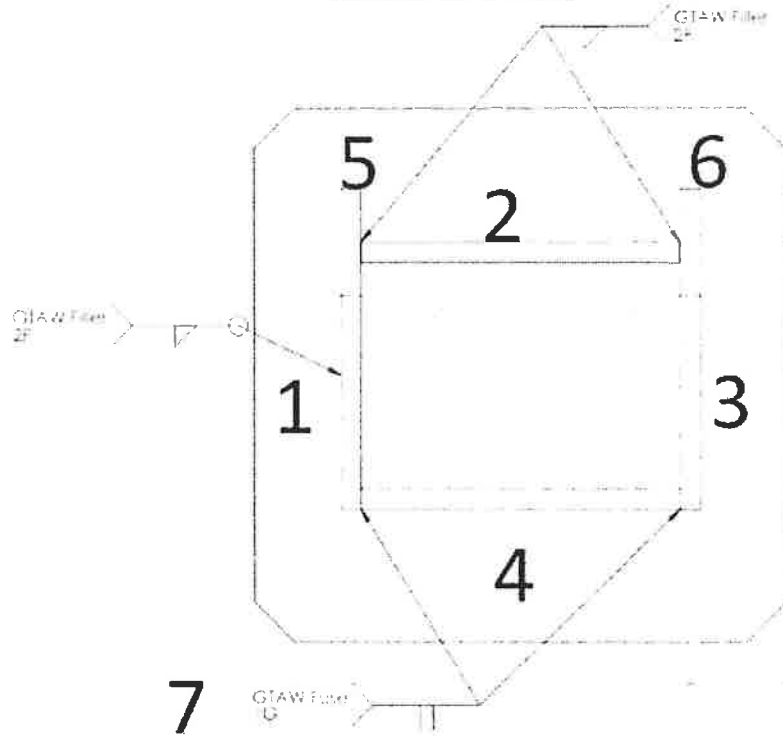
Weld #	Description	Points Possible	Score
1	2F BASE	10	3
2	2F BASE	10	6
3	2F BASE	10	6
4	2F BASE	10	6
5	2F Back	10	6
6	2F Back	10	6
7	1G Fuse	15	6
Penalty - Left side panel is upside down.		Total Points	39 175



Contest #

1135

# GTAW



\* Watch angles  
for gas coverage  
- you're close  
togethering it

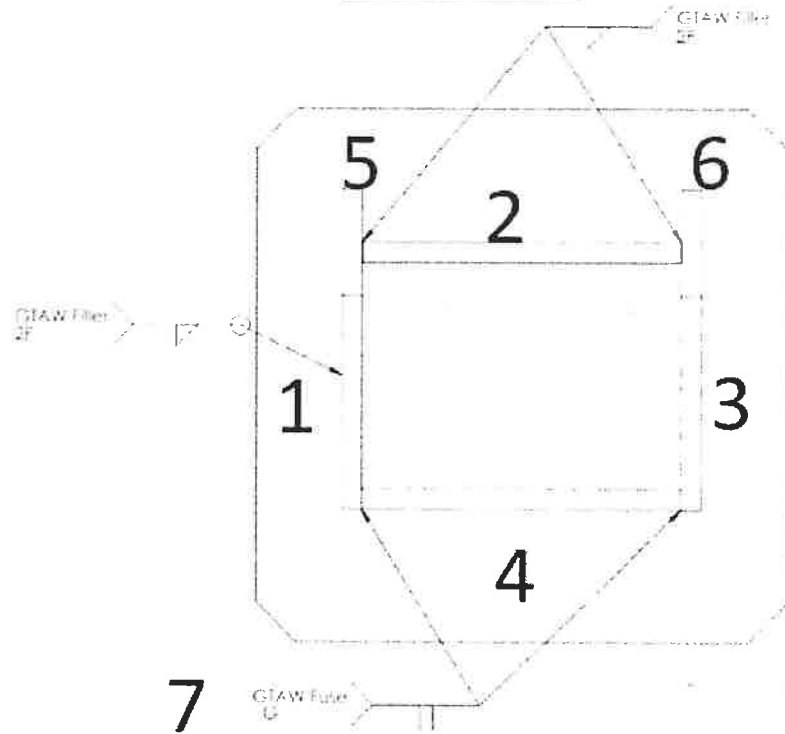
Weld #	Description	Points Possible	Score
1	2F BASE	10	3
2	2F BASE	10	3
3	2F BASE	10	2
4	2F BASE	10	2
5	2F Back	10	4
6	2F Back	10	3
7	1G Fuse	15	6
Penalty -		Total Points	23      175





Contest # 1101

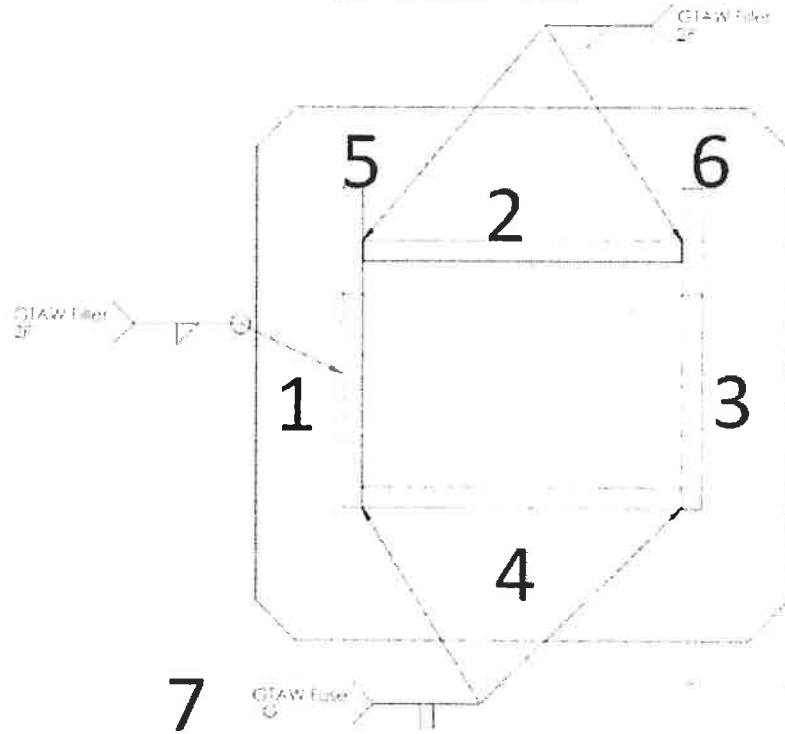
# GTAW



Weld #	Description	Points Possible	Score
1	2F BASE	10	0
2	2F BASE	10	1
3	2F BASE	10	1
4	2F BASE	10	2
5	2F Back	10	4
6	2F Back	10	<del>0</del> 2
7	1G Fuse	15	5
Penalty - lack of fusion, sugaring undercut, Burn through.		Total Points	15 175

Contest # 1163

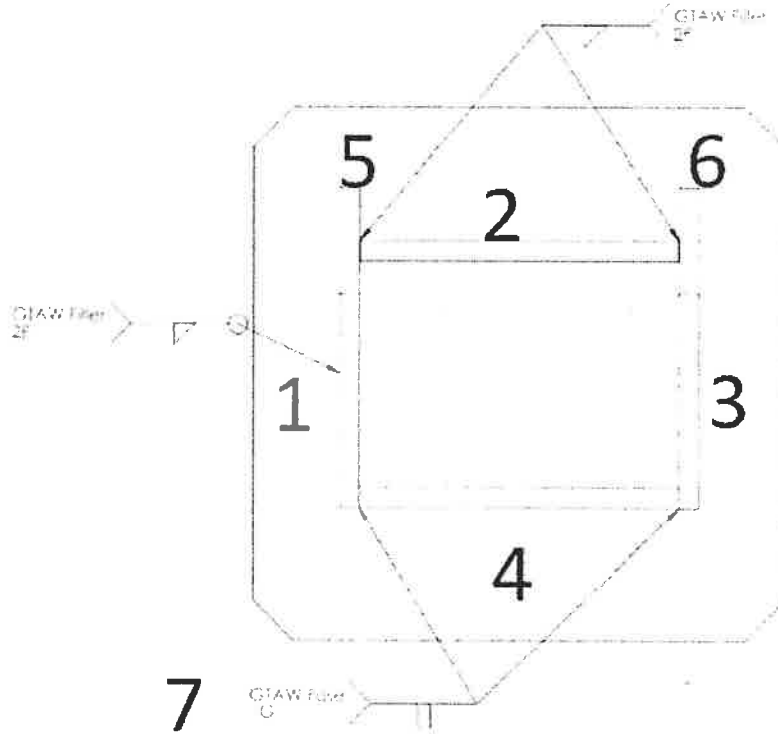
# GTAW



Weld #	Description	Points Possible	Score
1	2F BASE	10	2
2	2F BASE	10	3
3	2F BASE	10	1
4	2F BASE	10	1
5	2F Back	10	2
6	2F Back	10	1
7	1G Fuse	15	2
Penalty - Lack of Fusion.		Total Points	11 175

Contest # 1187

GTAW



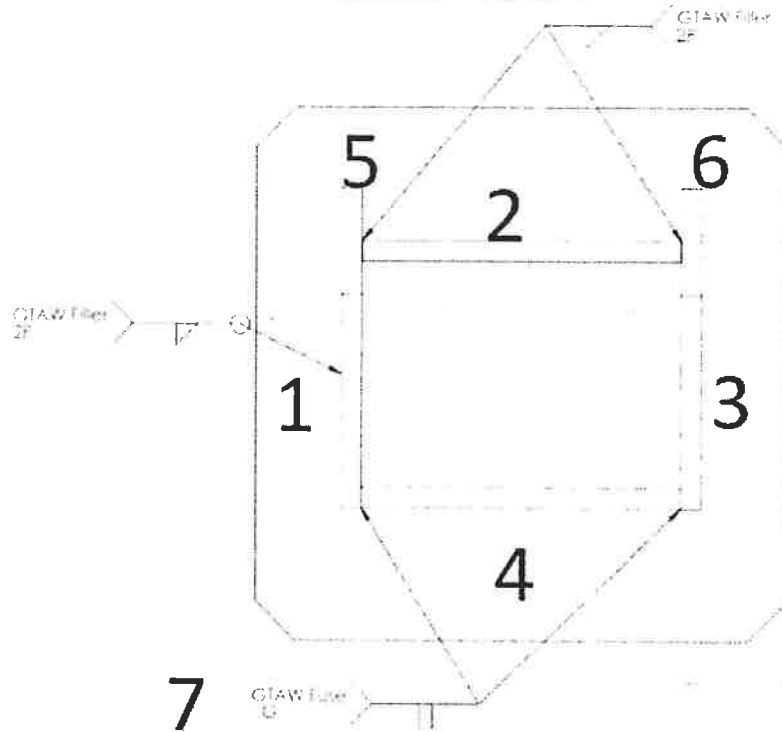
Weld #	Description	Points Possible	Score
1	2F BASE	10	7
2	2F BASE	10	3
3	2F BASE	10	8
4	2F BASE	10	5
5	2F Back	10	4
6	2F Back	10	3
7	1G Fuse	15	7
Penalty -		Total Points	37

18  
9  
10  
23  
14



Contest # 1198

# GTAW

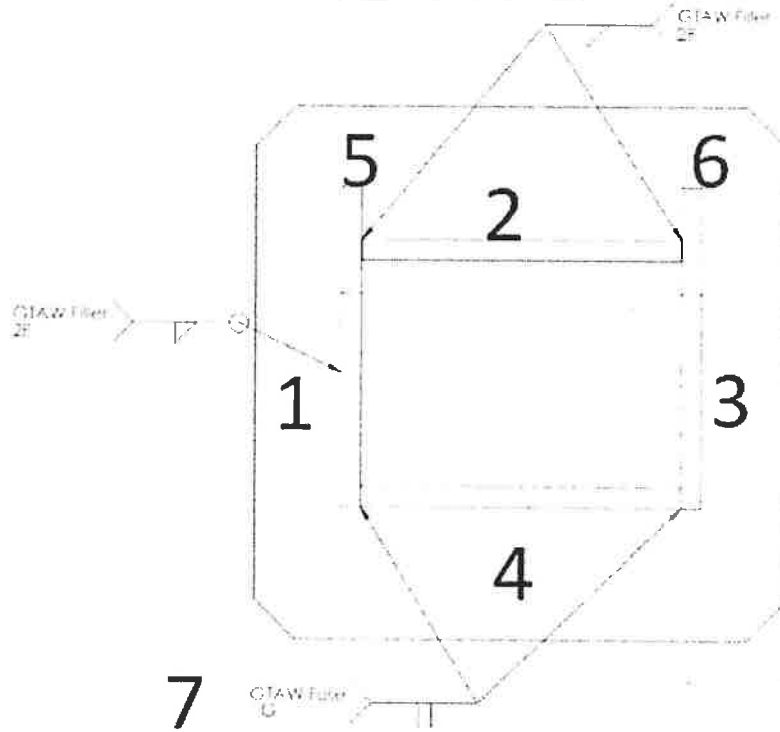


\* need better gas coverage.  
\* watch torch angle & travel speed.

Weld #	Description	Points Possible	Score
1	2F BASE	10	7
2	2F BASE	10	5 / 12
3	2F BASE	10	7 / 35
4	2F BASE	10	7
5	2F Back	10	7
6	2F Back	10	7
7	1G Fuse	15	7
Penalty - Burn through, sagging, undercut.		Total Points	47 / 175

Contest # 1208

GTAW

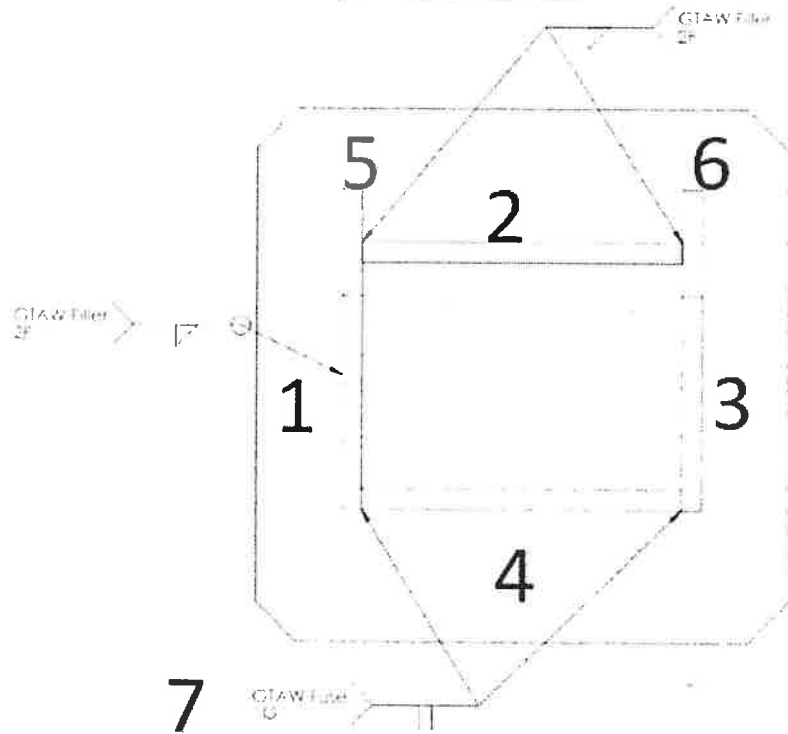


Weld #	Description	Points Possible	Score
1	2F BASE	10	3
2	2F BASE	10	2
3	2F BASE	10	1
4	2F BASE	10	4
5	2F Back	10	4
6	2F Back	10	2
7	1G Fuse	15	6
Penalty -		Total Points	22 175



Contest # 1211

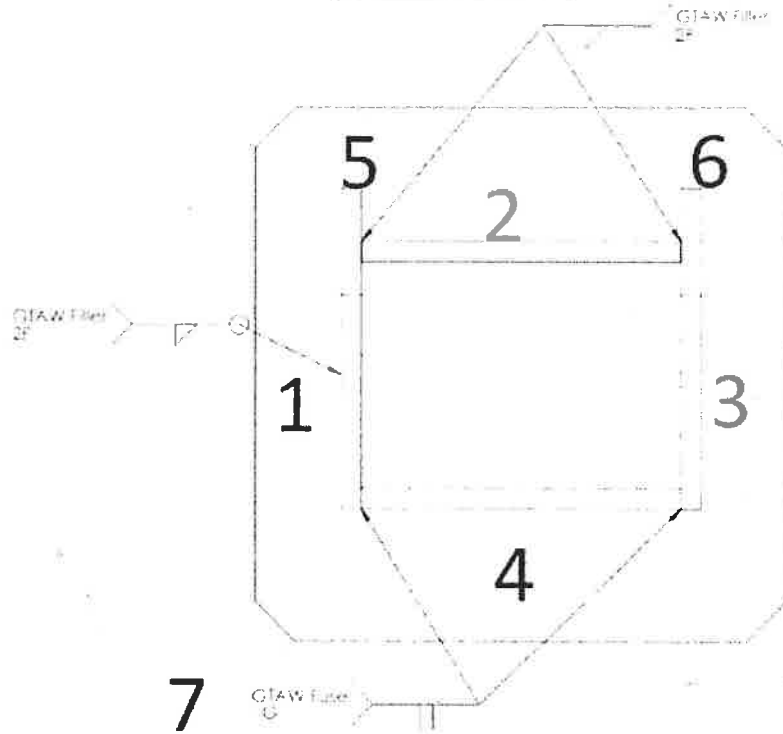
GTAW



Weld #	Description	Points Possible	Score
1	2F BASE	10	0
2	2F BASE	10	2
3	2F BASE	10	0
4	2F BASE	10	0
5	2F Back	10	0
6	2F Back	10	0
7	1G Fuse	15	0
Penalty - lack of Fusion.		Total Points	2 175

Contest # 1242

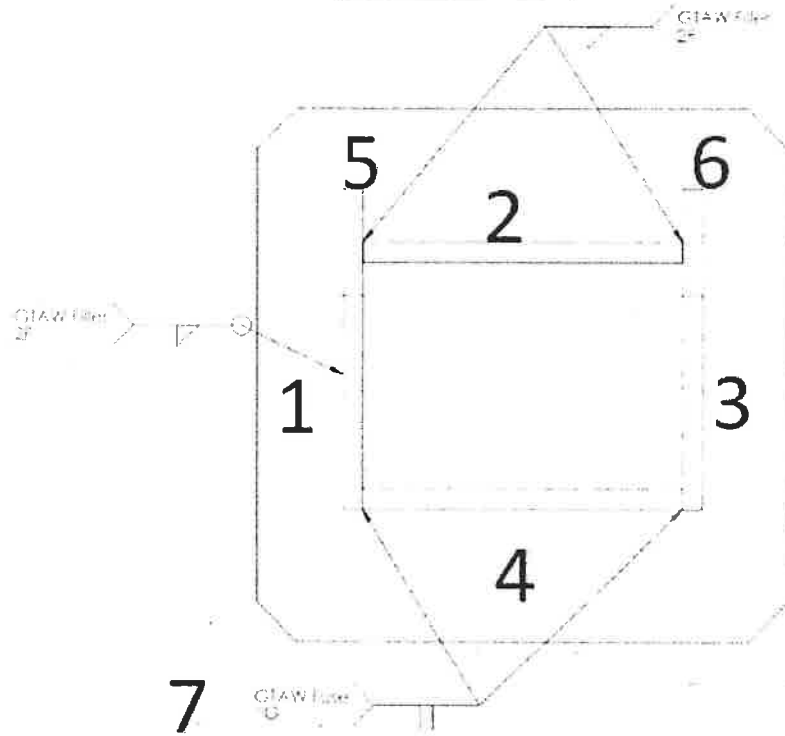
# GTAW



Weld #	Description	Points Possible	Score
1	2F BASE	10	8
2	2F BASE	10	7 } 15
3	2F BASE	10	6
4	2F BASE	10	6 } 12
5	2F Back	10	5
6	2F Back	10	5 } 10
7	1G Fuse	15	6
Penalty: <i>excessive heat, undercut incomplete fusion. Burn through.</i>		Total Points	43 } 175

Contest # 1300

**GTAW**

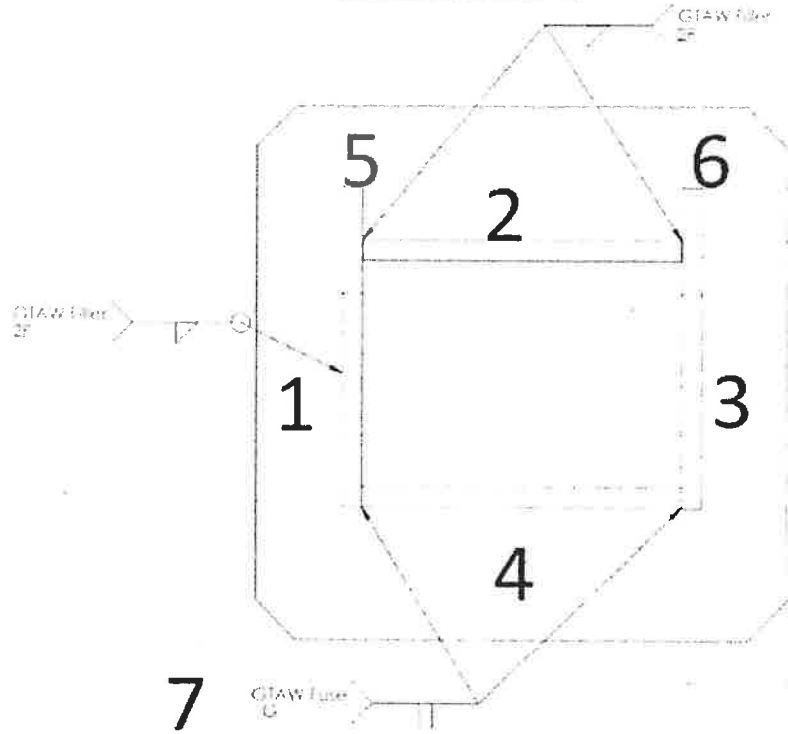


Weld #	Description	Points Possible	Score
1	2F BASE	10	0
2	2F BASE	10	0
3	2F BASE	10	0
4	2F BASE	10	0
5	2F Back	10	0
6	2F Back	10	0
7	1G Fuse	15	1
Penalty - Lack of Fusion.		Total Points	1 175



Contest # 1320

GTAW

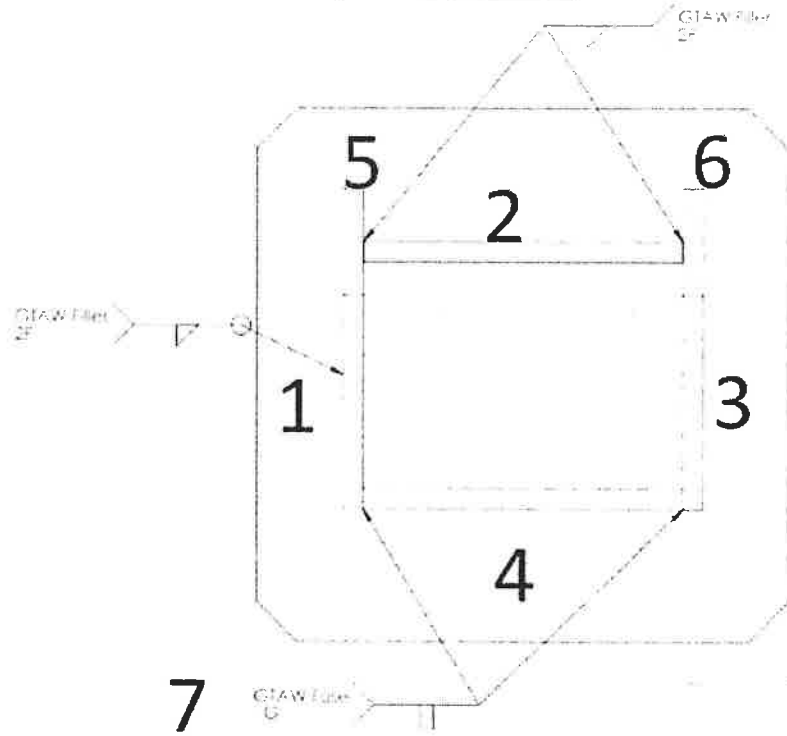


Weld #	Description	Points Possible	Score
1	2F BASE	10	7
2	2F BASE	10	7 714
3	2F BASE	10	8
4	2F BASE	10	7 715
5	2F Back	10	6
6	2F Back	10	6 19
7	1G Fuse	15	7
Penalty -	<i>Not all weld have Full fusion all the way</i>	Total Points	48 175

Contest #

1324

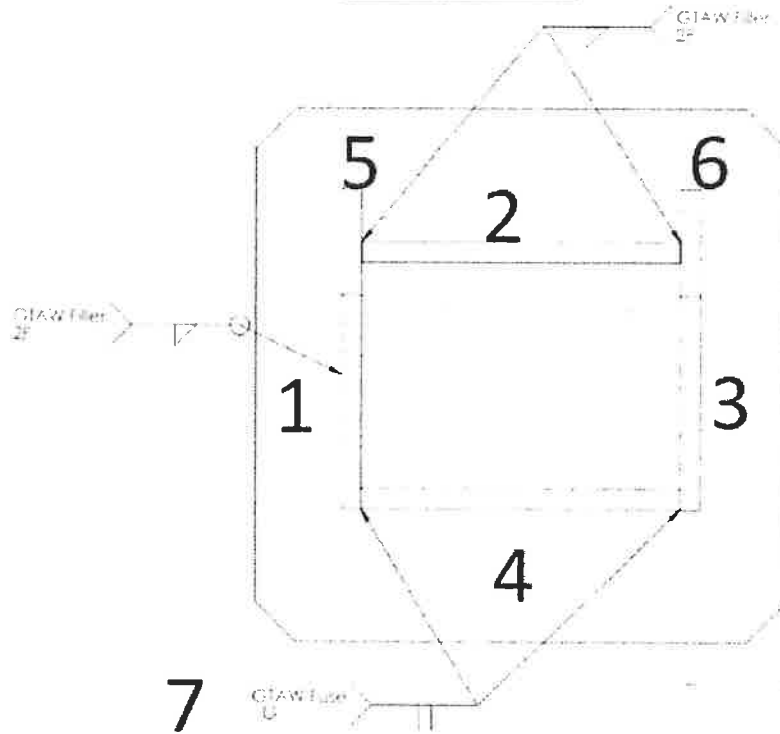
GTAW



Weld #	Description	Points Possible	Score
1	2F BASE	10	8
2	2F BASE	10	5 > 13
3	2F BASE	10	6
4	2F BASE	10	6 > 19
5	2F Back	10	7
6	2F Back	10	7 13
7	1G Fuse	15	6
Penalty - Burn through, undercut, incomplete		Total Points	45 175

Contest # 1327

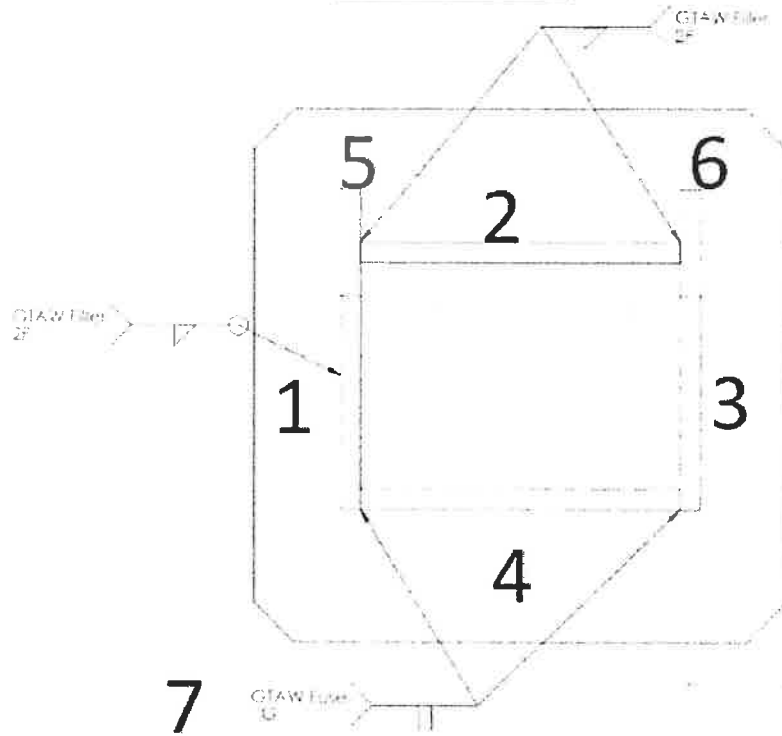
GTAW



Weld #	Description	Points Possible	Score
1	2F BASE	10	3
2	2F BASE	10	5 } 8
3	2F BASE	10	5
4	2F BASE	10	6 } 17
5	2F Back	10	6
6	2F Back	10	6 } 12
7	1G Fuse	15	6
Penalty - Incomplete joints, excessive heat, undercut, sagging		Total Points	37 175

Contest # 1330

# GTAW

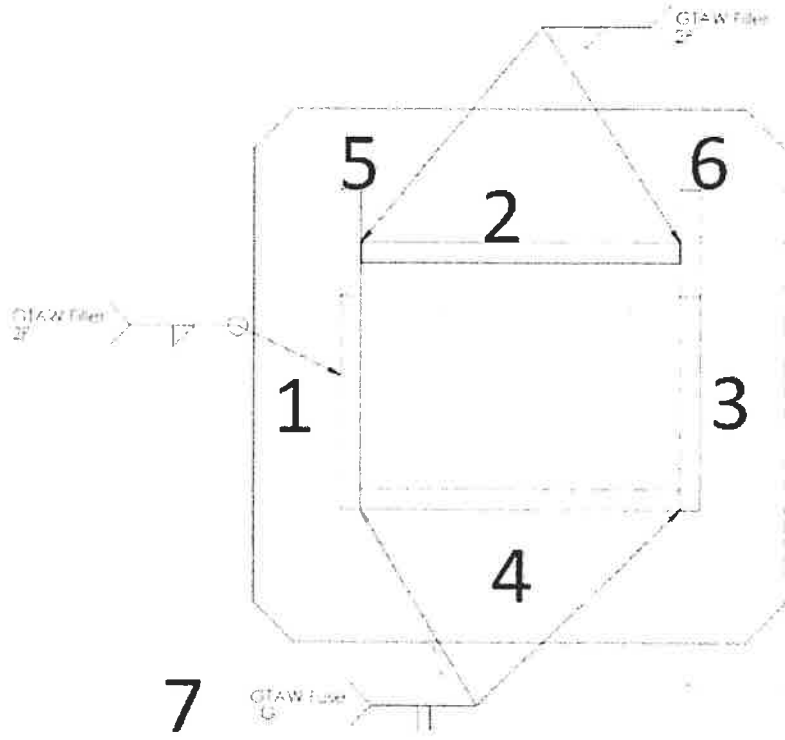


Weld #	Description	Points Possible	Score
1	2F BASE	10	7
2	2F BASE	10	6
3	2F BASE	10	7
4	2F BASE	10	6
5	2F Back	10	7
6	2F Back	10	7
7	1G Fuse	15	7
Penalty - porosity, Burn through, overlap, undercut in places		Total Points	47
			175



Contest # 1364

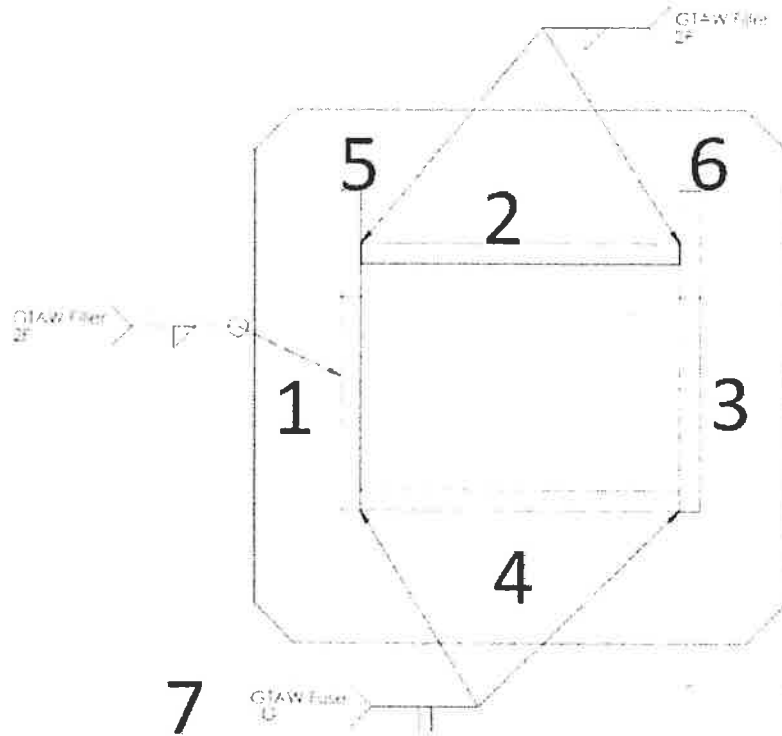
GTAW



Weld #	Description	Points Possible	Score
1	2F BASE	10	0
2	2F BASE	10	0
3	2F BASE	10	0
4	2F BASE	10	4
5	2F Back	10	6
6	2F Back	10	5
7	1G Fuse	15	7
Penalty -		Total Points	22 175

Contest # 1367

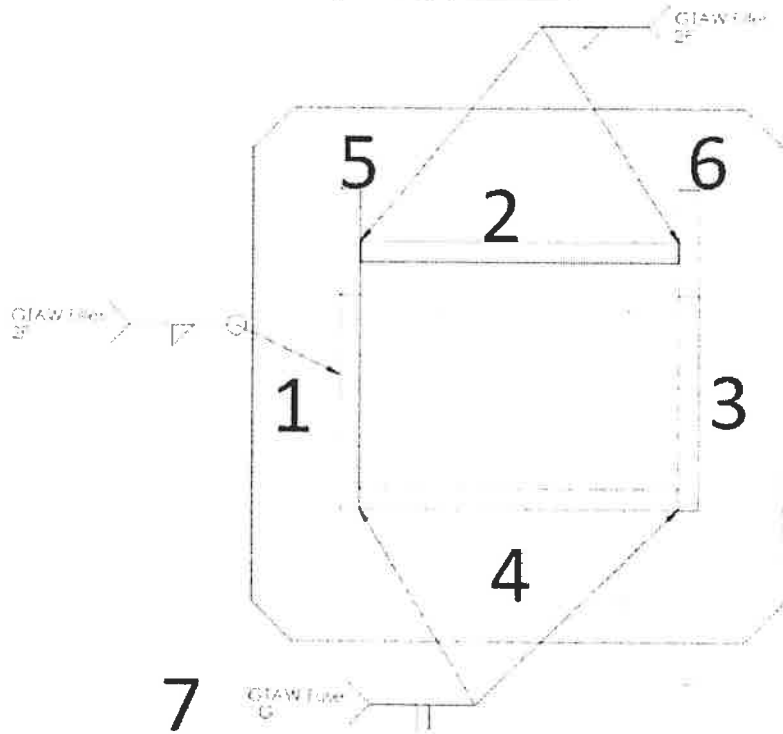
# GTAW



Weld #	Description	Points Possible	Score
1	2F BASE	10	7
2	2F BASE	10	6 7 13
3	2F BASE	10	7 7 14
4	2F BASE	10	7 7 14
5	2F Back	10	6
6	2F Back	10	5 19
7	1G Fuse	15	8
Penalty - excessive heat, Burn through, cold lap, slagging, Incomplete Fusion		Total Points	46 175

Contest # 1376

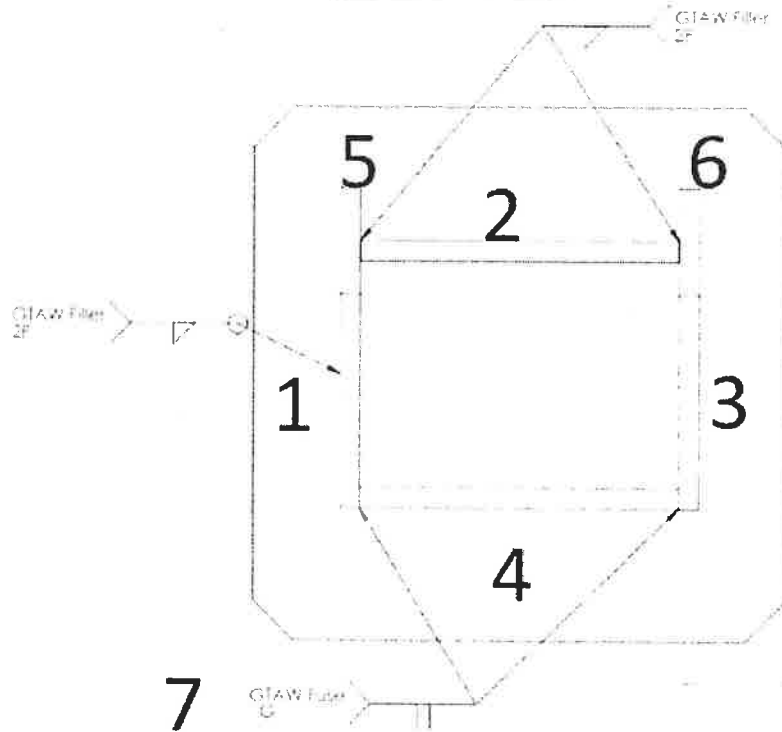
GTAW



Weld #	Description	Points Possible	Score
1	2F BASE	10	6
2	2F BASE	10	0
3	2F BASE	10	0
4	2F BASE	10	0
5	2F Back	10	0
6	2F Back	10	5
7	1G Fuse	15	0
Penalty - lack of Fusion, undercut, spatter.		Total Points	5 175

Contest # 1866

# GTAW

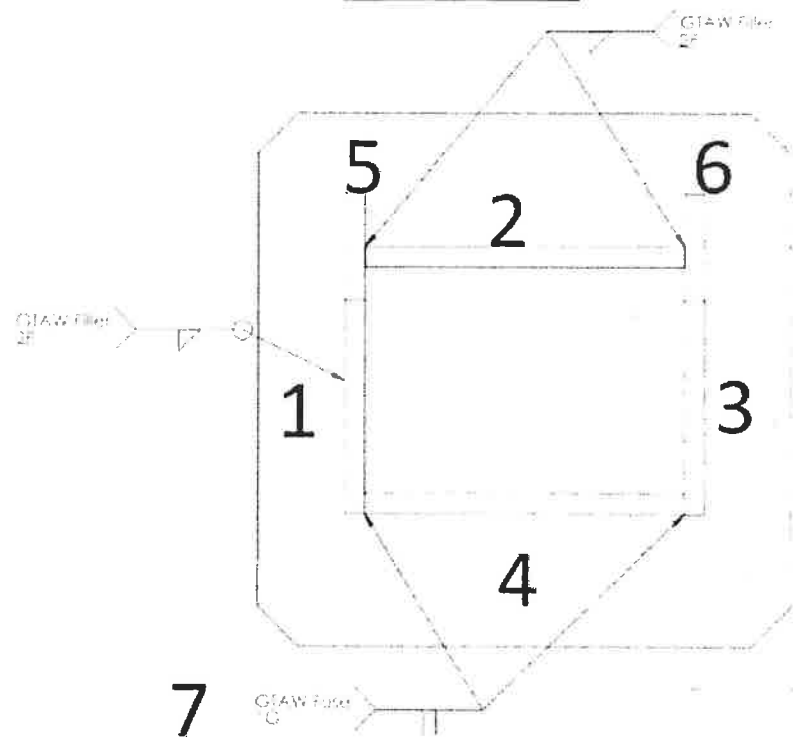


Weld #	Description	Points Possible	Score
1	2F BASE	10	5
2	2F BASE	10	5
3	2F BASE	10	6
4	2F BASE	10	6
5	2F Back	10	6
6	2F Back	10	5
7	1G Fuse	15	6
Penalty - excessive heat, Need better gas coverage.		Total Points	39
			175



Contest # 1341

# GTAW

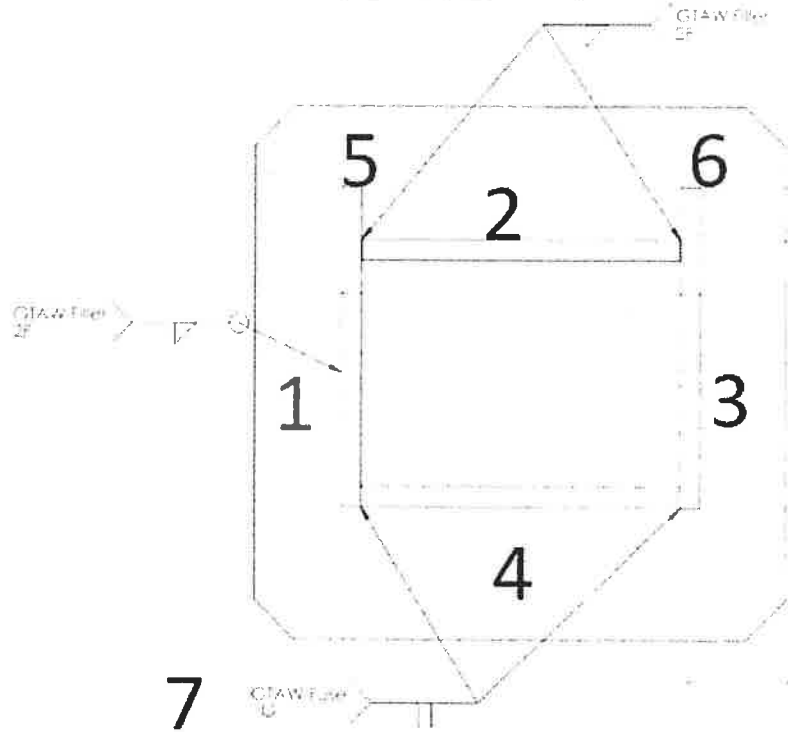


Weld #	Description	Points Possible	Score
1	2F BASE	10	7
2	2F BASE	10	8
3	2F BASE	10	7
4	2F BASE	10	7
5	2F Back	10	7
6	2F Back	10	7
7	1G Fuse	15	<del>8</del> 10
Penalty -		Total Points	53 175



Contest # 1012

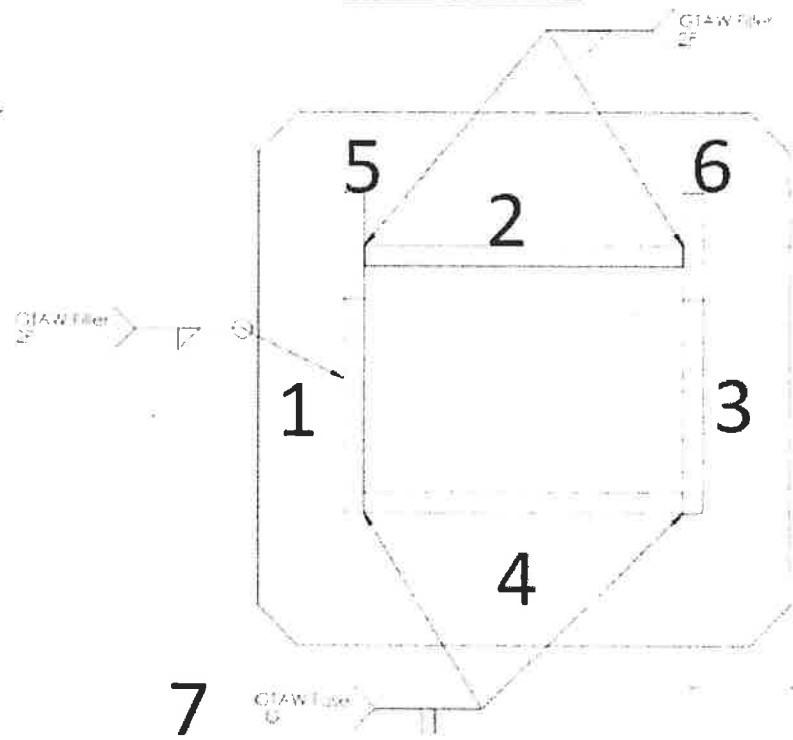
GTAW



Weld #	Description	Points Possible	Score
1	2F BASE	10	1
2	2F BASE	10	0
3	2F BASE	10	1
4	2F BASE	10	0
5	2F Back	10	2
6	2F Back	10	2
7	1G Fuse	15	5
Penalty - Lack of Fusion, cold lap, sugaring, incomplete		Total Points	11
			175

Contest # 1091

# GTAW

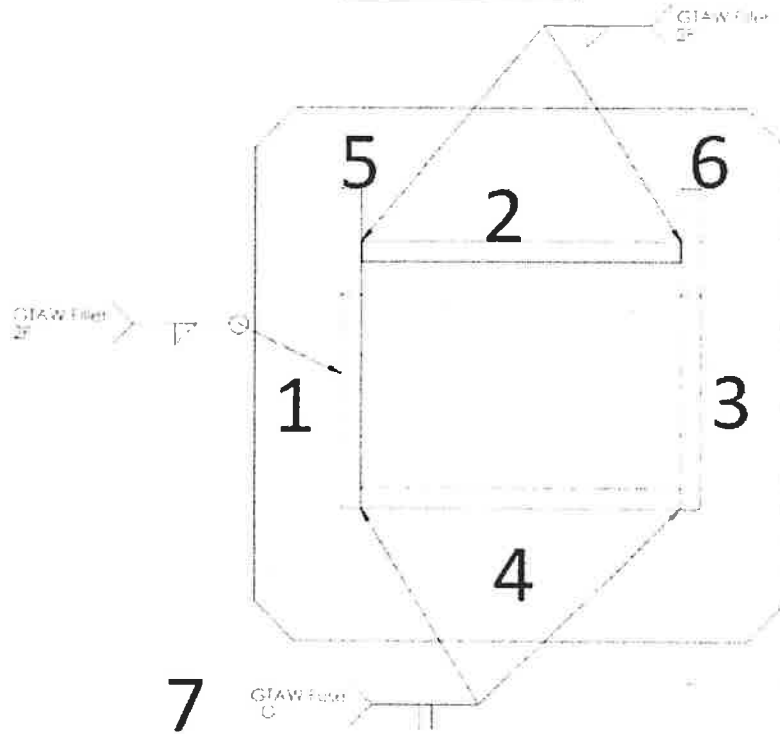


Weld #	Description	Points Possible	Score
1	2F BASE	10	8
2	2F BASE	10	6 } 14
3	2F BASE	10	9
4	2F BASE	10	7 } 23
5	2F Back	10	7
6	2F Back	10	6 } 16
7	1G Fuse	15	10
Penalty - undercut, burn through, incomplete welds, sugaring/rososity		Total Points	53 } 175



Contest # 1100

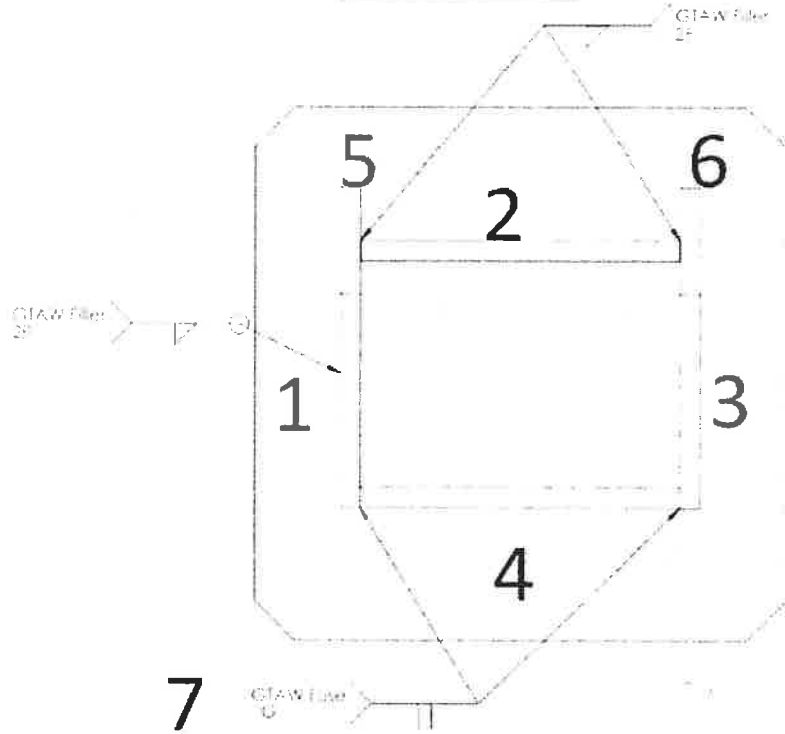
# GTAW



Weld #	Description	Points Possible	Score
1	2F BASE	10	8 5/15
2	2F BASE	10	7 7/15
3	2F BASE	10	9 2/17
4	2F BASE	10	8
5	2F Back	10	8
6	2F Back	10	8 2/9
7	1G Fuse	15	11
Penalty -		Total Points	59 175

Contest # 1255

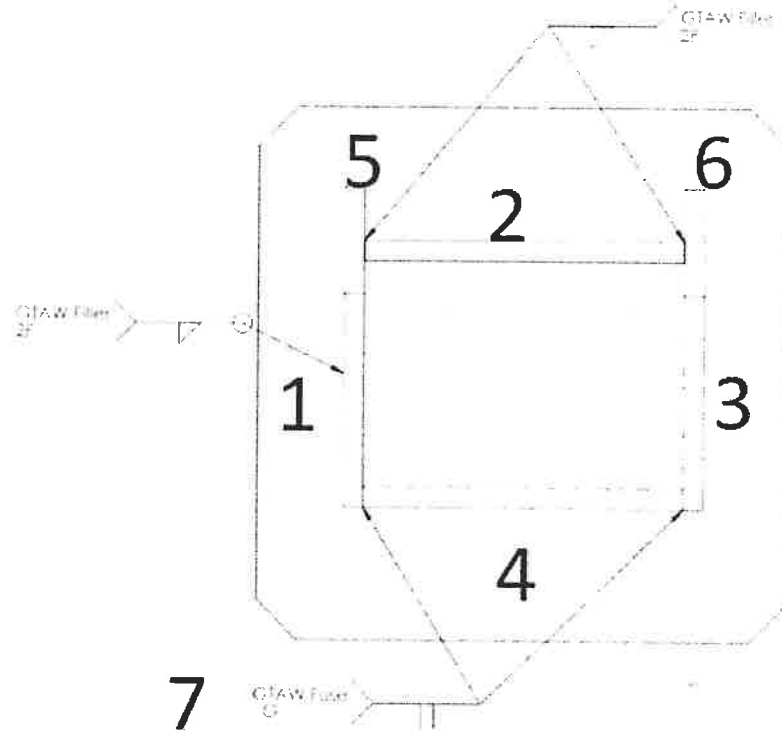
GTAW



Weld #	Description	Points Possible	Score
1	2F BASE	10	7
2	2F BASE	10	7 } 21
3	2F BASE	10	7
4	2F BASE	10	8 } 15
5	2F Back	10	7 } 17
6	2F Back	10	7
7	1G Fuse	15	10
Penalty - Sugaring, pin holes, Burn through Under cut		Total Points	53 175

Contest # 1269

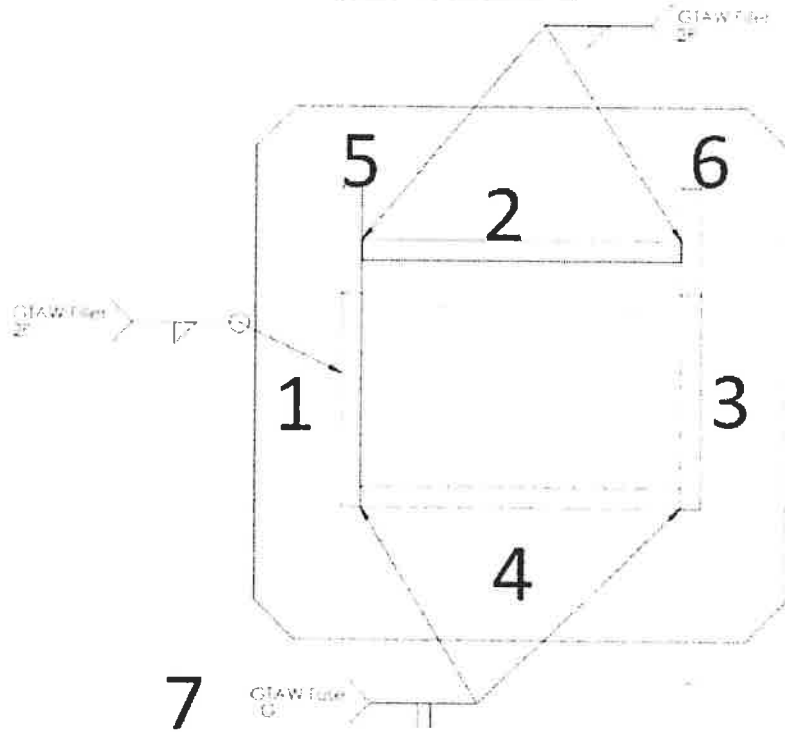
# GTAW



Weld #	Description	Points Possible	Score
1	2F BASE	10	7
2	2F BASE	10	7
3	2F BASE	10	7
4	2F BASE	10	7
5	2F Back	10	8
6	2F Back	10	7
7	1G Fuse	15	8
Penalty -		Total Points	51
			175

Contest # 1312

GTAW

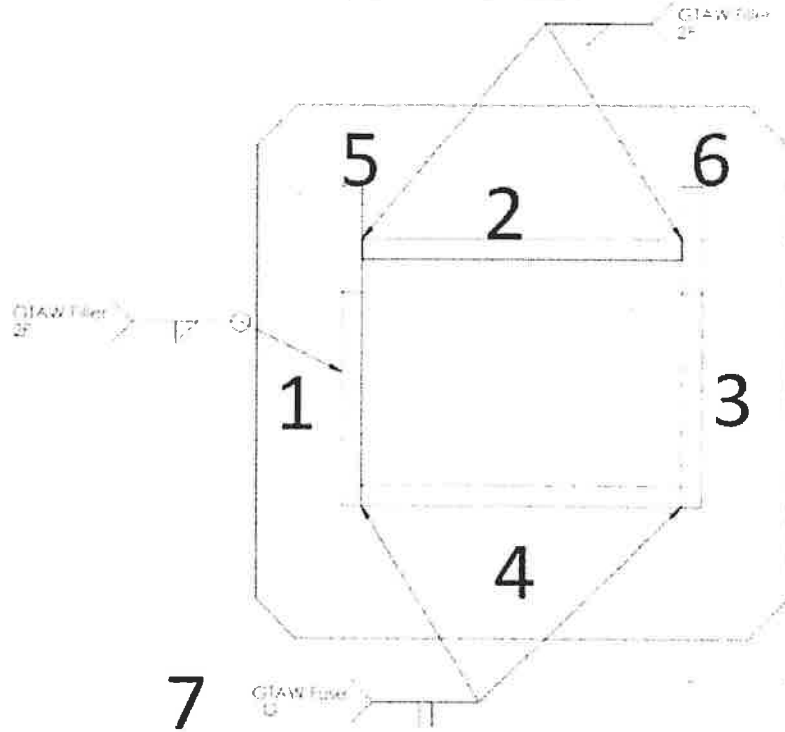


Weld #	Description	Points Possible	Score
1	2F BASE	10	8
2	2F BASE	10	7 15
3	2F BASE	10	9
4	2F BASE	10	8 17
5	2F Back	10	9
6	2F Back	10	8 25
7	1G Fuse	15	8 11
Penalty - need a torch more penetration on Weld # 7 pin 8's in corners.		Total Points	60 175

Contest #

1362

GTAW

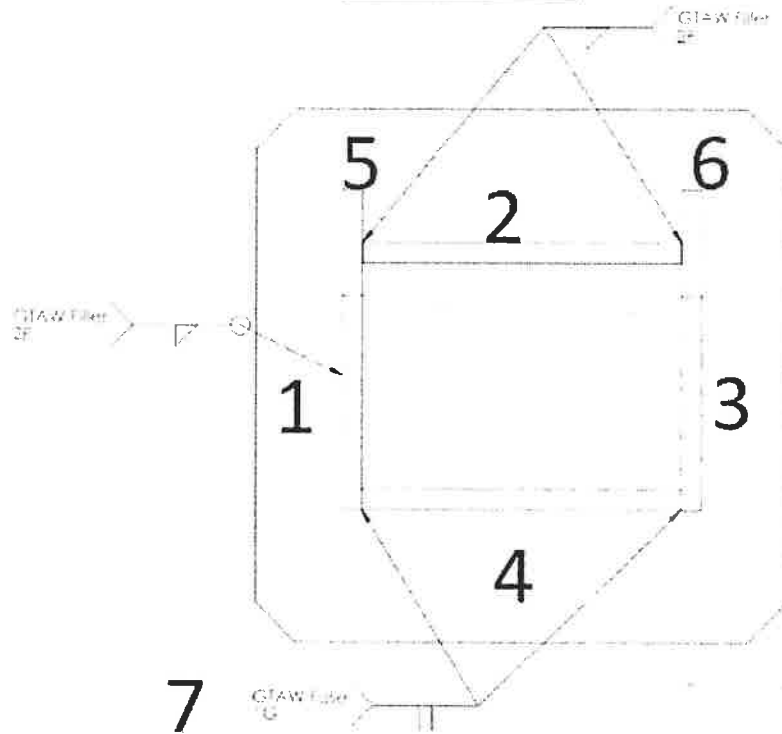


Weld #	Description	Points Possible	Score
1	2F BASE	10	9
2	2F BASE	10	8 > 17
3	2F BASE	10	9
4	2F BASE	10	9 27
5	2F Back	10	9
6	2F Back	10	9 23
7	1G Fuse	15	14
Penalty - undercut		Total Points	67 175



Contest # 1390

# GTAW



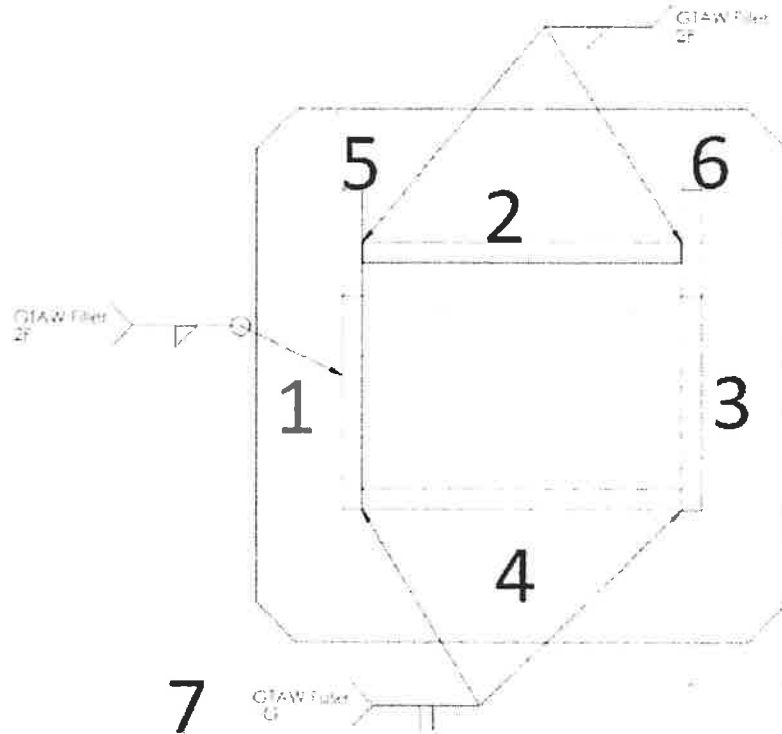
\* Weld your inside corners first and allow it to cool to prevent burn through.

Weld #	Description	Points Possible	Score
1	2F BASE	10	9
2	2F BASE	10	8
3	2F BASE	10	9
4	2F BASE	10	10
5	2F Back	10	9
6	2F Back	10	10
7	1G Fuse	15	13
Penalty - sugaring, undwcut		Total Points	68
			175



Contest # 1405

# GTAW

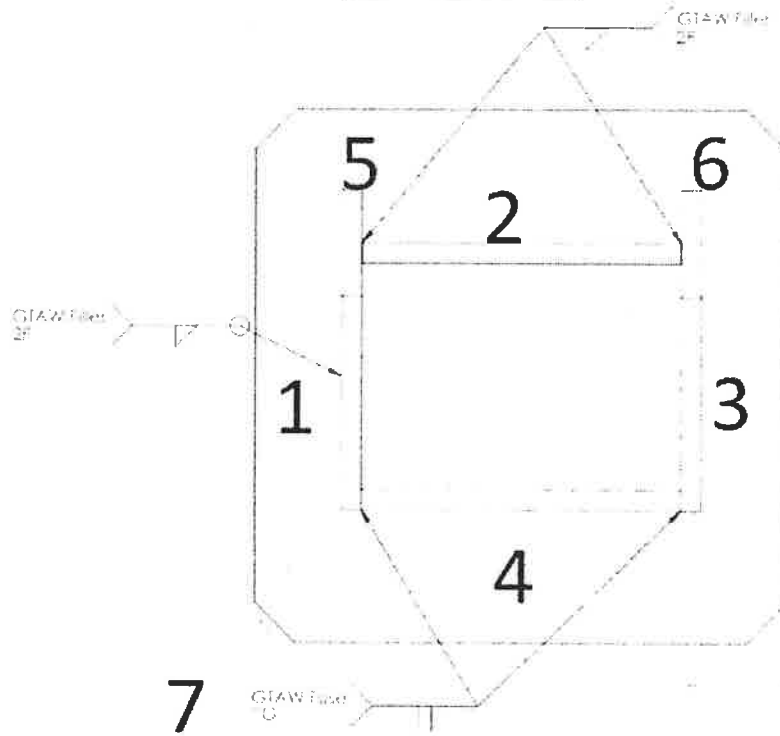


Weld #	Description	Points Possible	Score
1	2F BASE	10	8
2	2F BASE	10	8 <i>7/10</i>
3	2F BASE	10	9 <i>10</i>
4	2F BASE	10	8
5	2F Back	10	9
6	2F Back	10	9 <i>30</i>
7	1G Fuse	15	12
Penalty - undercut, Burn through.		Total Points	63 <i>175</i>



Contest # 1434

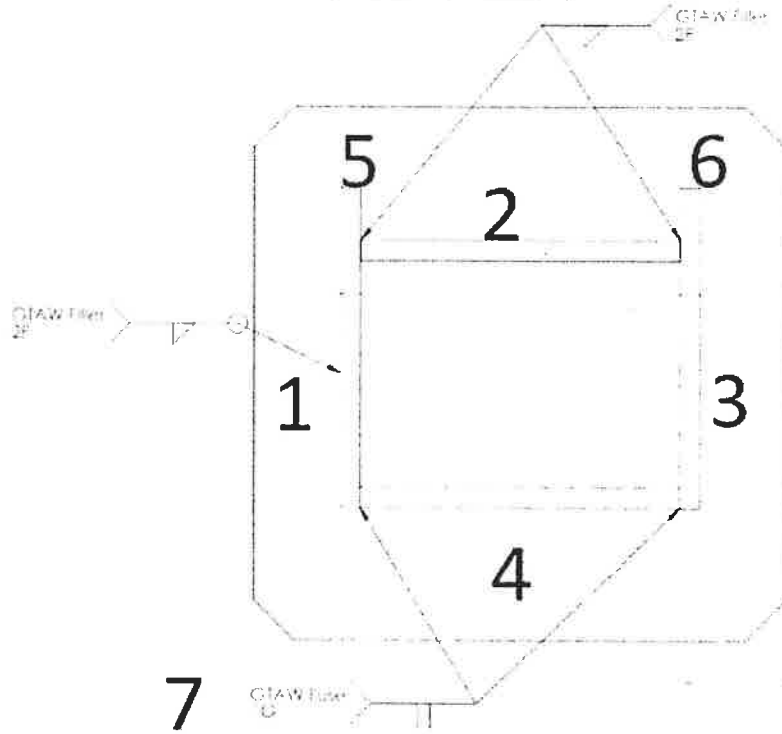
GTAW



Weld #	Description	Points Possible	Score
1	2F BASE	10	7
2	2F BASE	10	6 → 13
3	2F BASE	10	7
4	2F BASE	10	7 → 28
5	2F Back	10	7 → 9
6	2F Back	10	7
7	1G Fuse	15	9
Penalty - Sugaring, pin Bs, undercut, cold lap, burn through, incomplete welds		Total Points	50 → 175

Contest # 1470

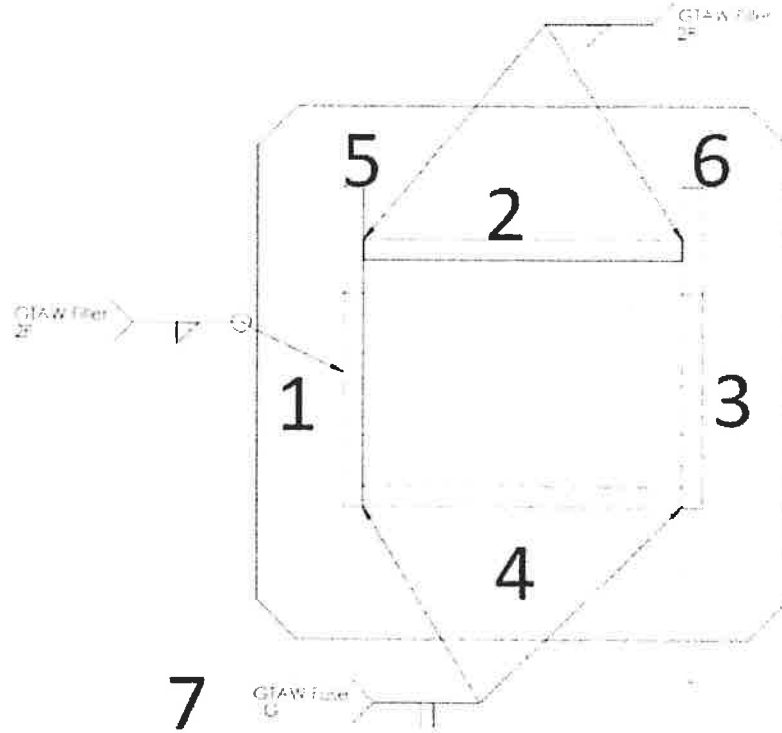
# GTAW



Weld #	Description	Points Possible	Score
1	2F BASE	10	1
2	2F BASE	10	1
3	2F BASE	10	0
4	2F BASE	10	1
5	2F Back	10	3
6	2F Back	10	1
7	1G Fuse	15	4
Penalty - Lack of fusion, porosity, cold lap, incomplete		Total Points	11
			175

Contest # 1477

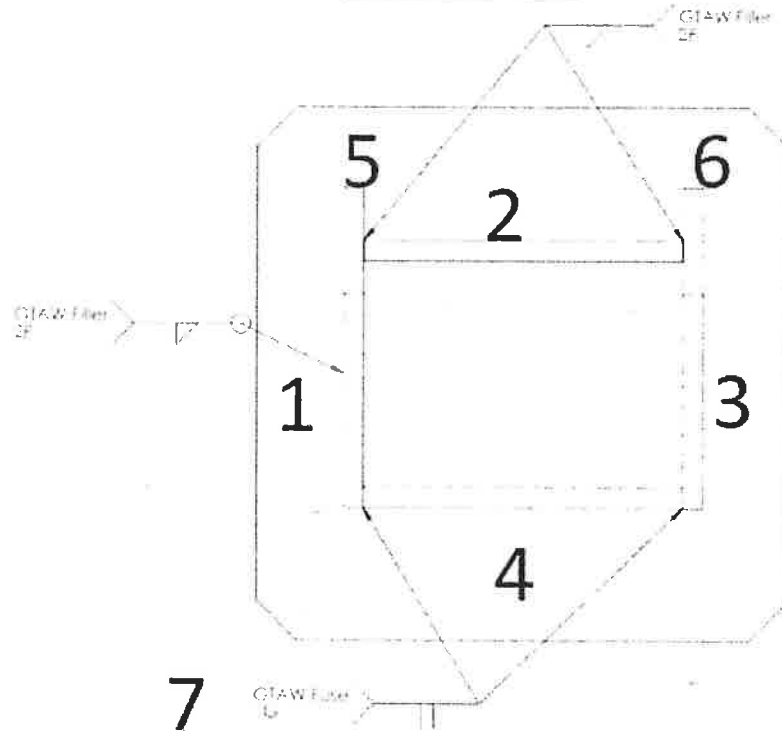
GTAW



Weld #	Description	Points Possible	Score
1	2F BASE	10	7
2	2F BASE	10	6
3	2F BASE	10	5
4	2F BASE	10	7
5	2F Back	10	5
6	2F Back	10	6
7	1G Fuse	15	9
Penalty - Burn through, Porosity, sugaring		Total Points	45
			175

Contest # 1514

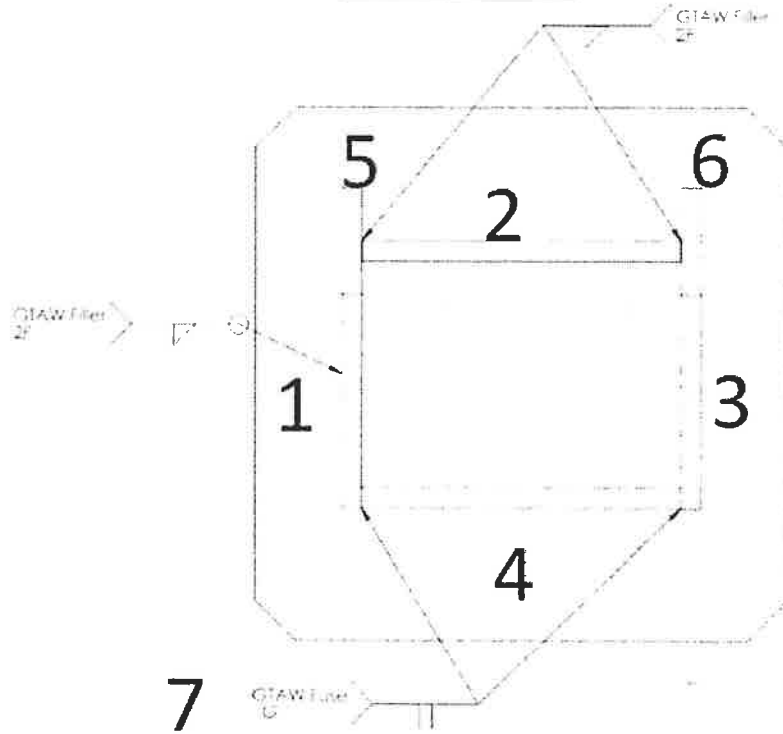
# GTAW



Weld #	Description	Points Possible	Score
1	2F BASE	10	5
2	2F BASE	10	1
3	2F BASE	10	6
4	2F BASE	10	6
5	2F Back	10	0
6	2F Back	10	2
7	1G Fuse	15	8
Penalty - Lack of Fusion, Undercut, Burn through, ●		Total Points	28 175

Contest # 1518

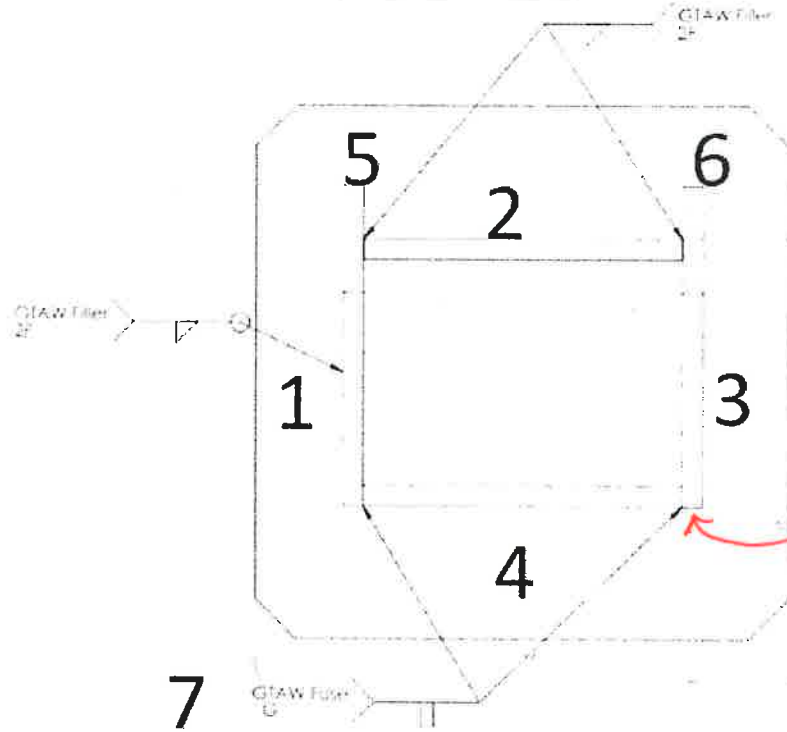
GTAW



Weld #	Description	Points Possible	Score
1	2F BASE	10	1
2	2F BASE	10	2
3	2F BASE	10	1
4	2F BASE	10	3
5	2F Back	10	0
6	2F Back	10	0
7	1G Fuse	15	0
Penalty - Lack of Fusion, undercut, Burn through, porosity/sugaring.		Total Points	7 175

Contest # 1534

GTAW

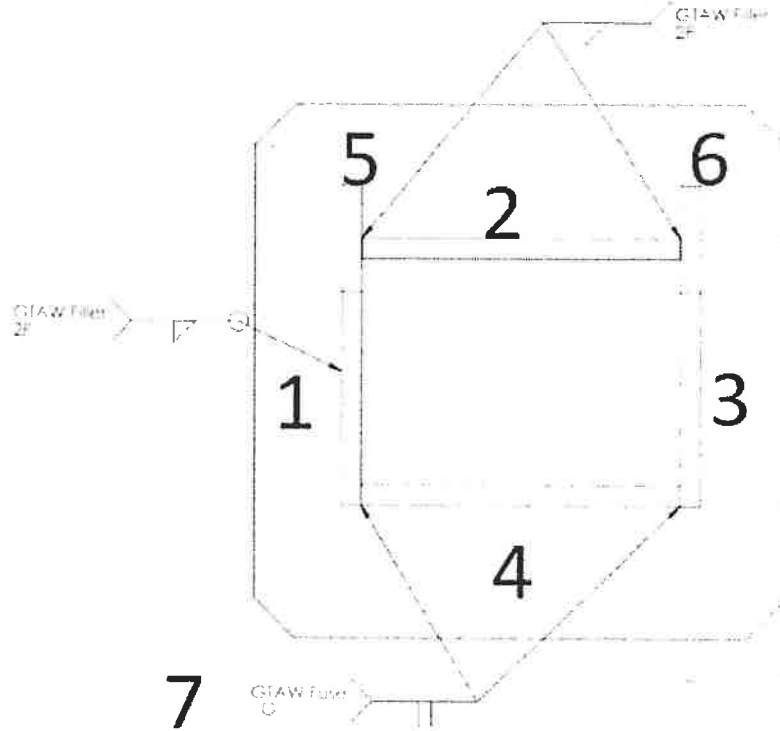


Weld #	Description	Points Possible	Score
1	2F BASE	10	1
2	2F BASE	10	0
3	2F BASE	10	2
4	2F BASE	10	2
5	2F Back	10	2
6	2F Back	10	3
7	1G Fuse	15	5
Penalty	Lack of Fusion, incomplete welds, undercut, cold lap, porosity. Burn through	Total Points	15 175



Contest # 1591

GTAW

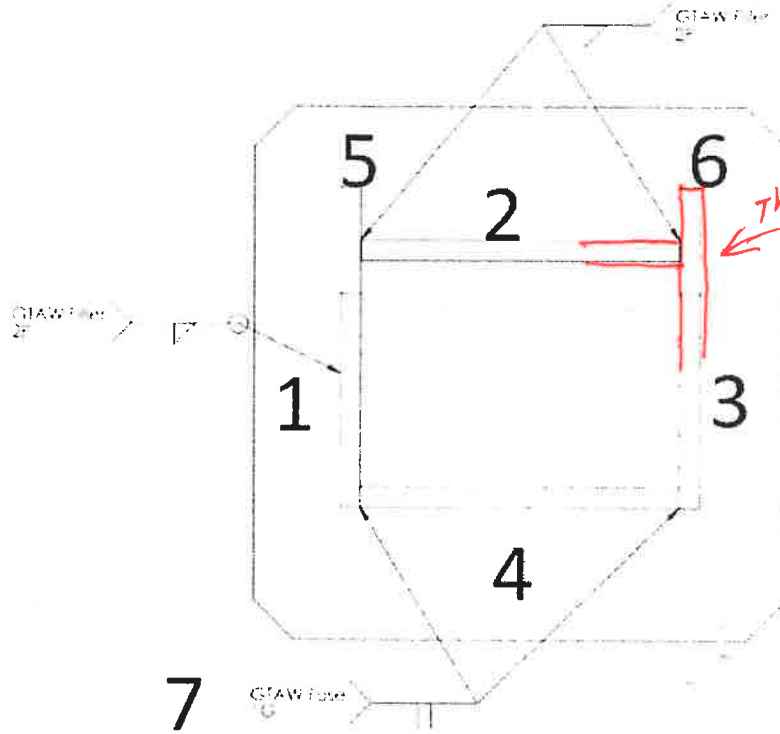


Weld #	Description	Points Possible	Score
1	2F BASE	10	6
2	2F BASE	10	5
3	2F BASE	10	7
4	2F BASE	10	7
5	2F Back	10	6
6	2F Back	10	6
7	1G Fuse	15	7
Penalty - Incomplete welds, cold lap, undercut, Burn through porosity		Total Points	44
			175



Contest # 1618

GTAW



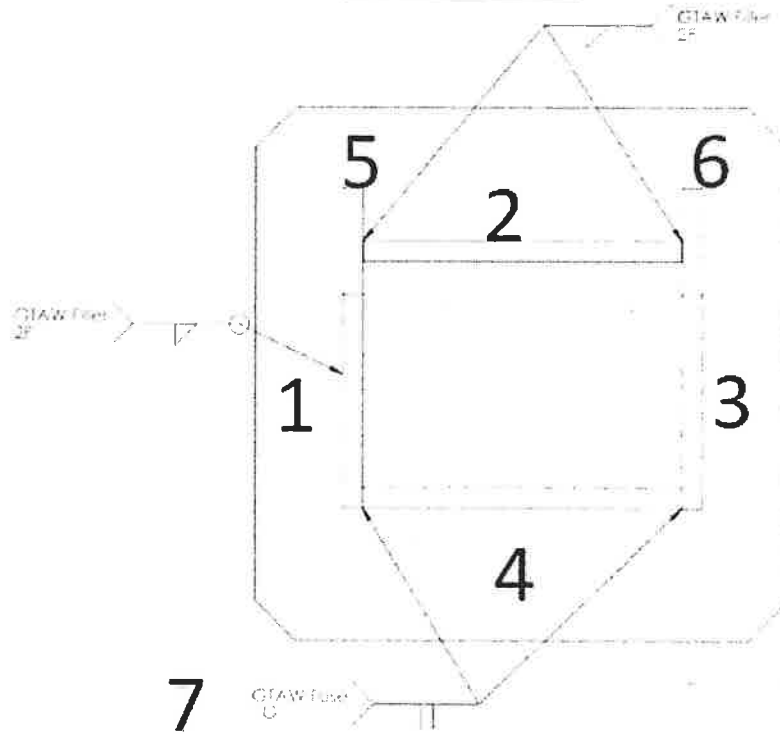
*This joint was in wrong position*

*\* Check your torch angle and gas flow to get less sugaring/porosity.*

Weld #	Description	Points Possible	Score
1	2F BASE	10	6
2	2F BASE	10	6
3	2F BASE	10	6 7 24
4	2F BASE	10	6
5	2F Back	10	4
6	2F Back	10	4 16
7	1G Fuse	15	8
Penalty - <i>sugaring/porosity, undercut, incomplete welds.</i>		Total Points	40 175

Contest # 1630

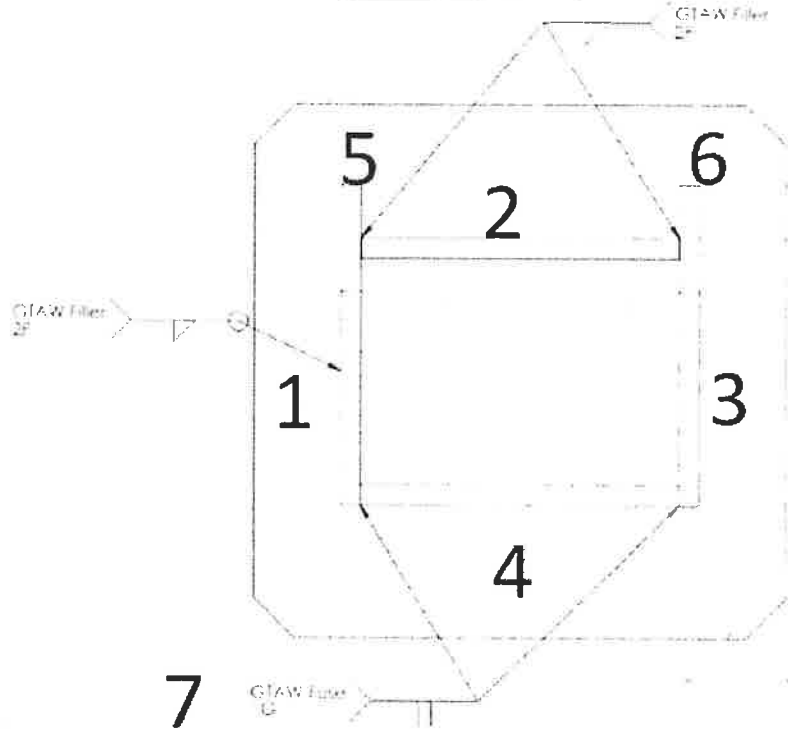
GTAW



Weld #	Description	Points Possible	Score
1	2F BASE	10	2
2	2F BASE	10	0
3	2F BASE	10	2
4	2F BASE	10	0
5	2F Back	10	0
6	2F Back	10	0
7	1G Fuse	15	0
Penalty - Lack of fusion, incomplete, porosity, undercut, burn through		Total Points	4 175

Contest # 1687

GTAW

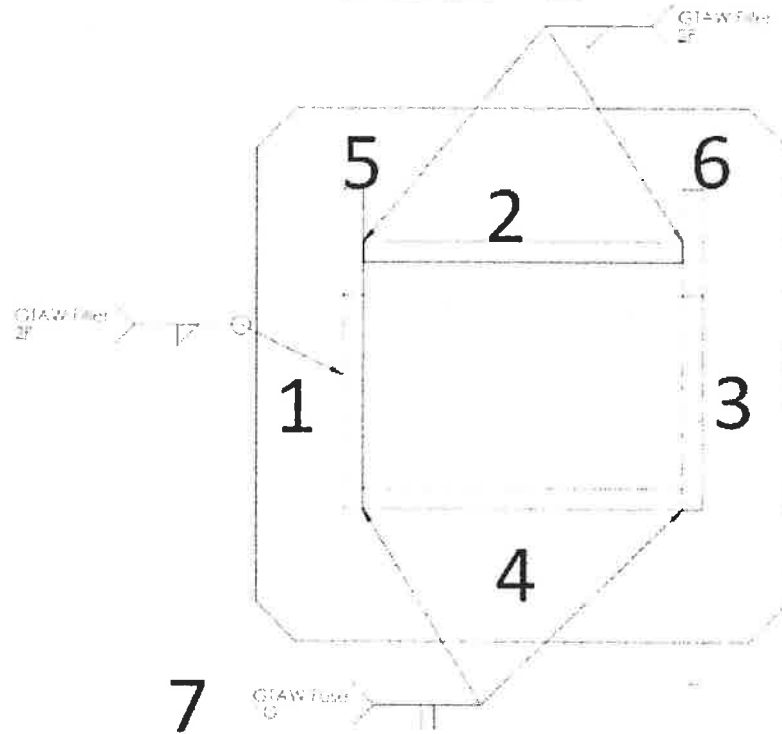


Weld #	Description	Points Possible	Score
1	2F BASE	10	8
2	2F BASE	10	7
3	2F BASE	10	8
4	2F BASE	10	8
5	2F Back	10	8
6	2F Back	10	8
7	1G Fuse	15	12
Penalty - Burn through, undercut, incomplete inside corners.		Total Points	59
			175



Contest # 1726

# GTAW

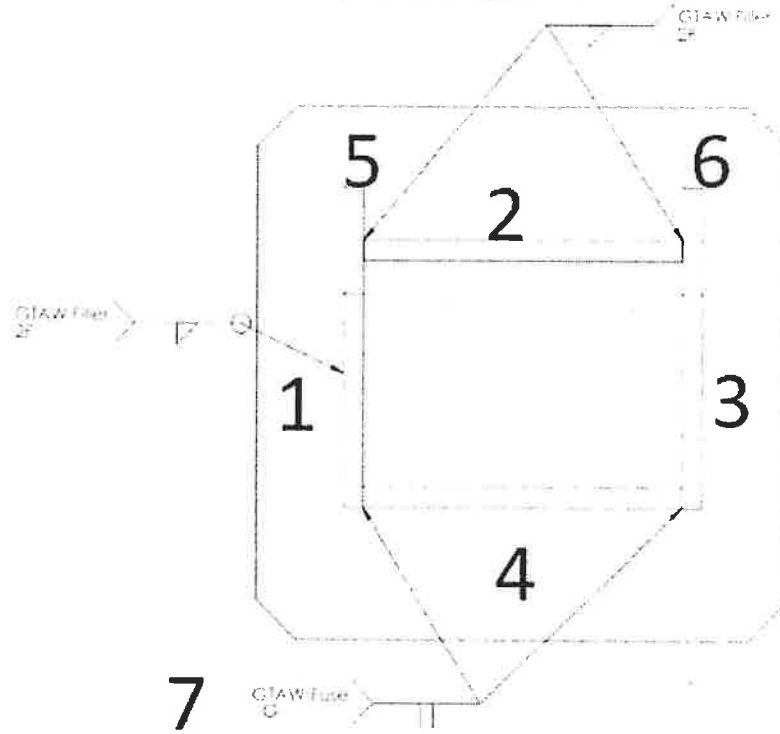


Weld #	Description	Points Possible	Score
1	2F BASE	10	1
2	2F BASE	10	1
3	2F BASE	10	1
4	2F BASE	10	1
5	2F Back	10	0
6	2F Back	10	0
7	1G Fuse	15	4
Penalty - Lack of fusion, porosity - sugaring,		Total Points	8
			175



Contest # 1733

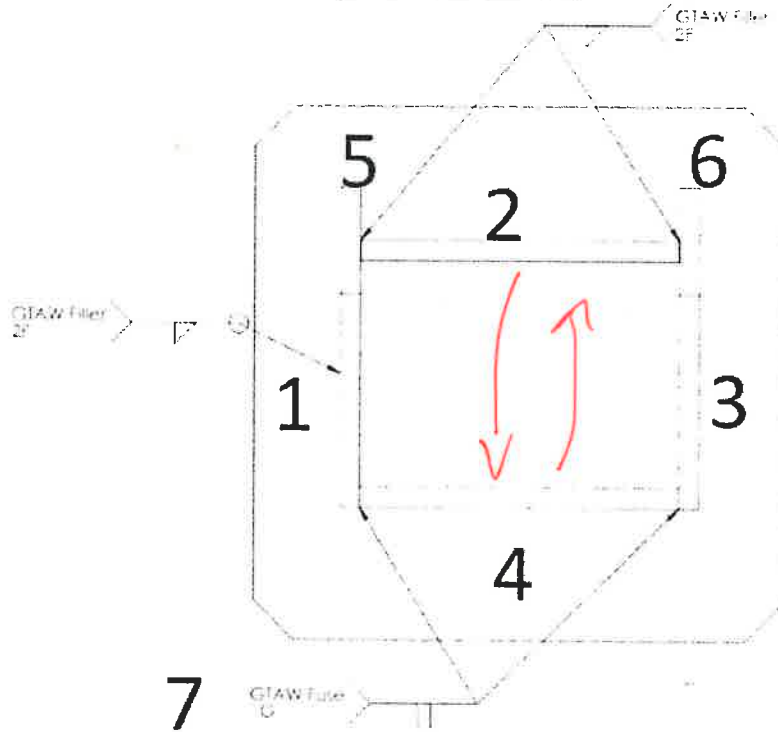
GTAW



Weld #	Description	Points Possible	Score
1	2F BASE	10	5
2	2F BASE	10	3
3	2F BASE	10	4
4	2F BASE	10	5
5	2F Back	10	5
6	2F Back	10	5
7	1G Fuse	15	11
Penalty - incomplete welds, burn through back of fusion. cold lap		Total Points	38 175

Contest # 1772

# GTAW

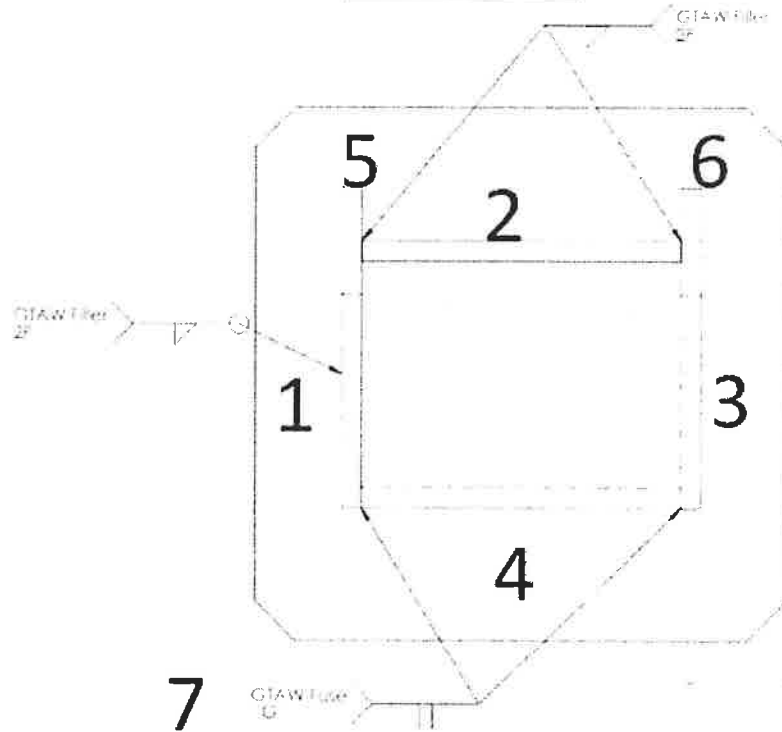


\* Fit up Plates  
2 + 4 Backwards

Weld #	Description	Points Possible	Score
1	2F BASE	10	6
2	2F BASE	10	6 18
3	2F BASE	10	6
4	2F BASE	10	7 13
5	2F Back	10	6
6	2F Back	10	7 17
7	1G Fuse	15	10
Penalty	Incomplete welds, sugaring, Burn through, undercut, Cold lap	Total Points	48 175

Contest # 1747

# GTAW



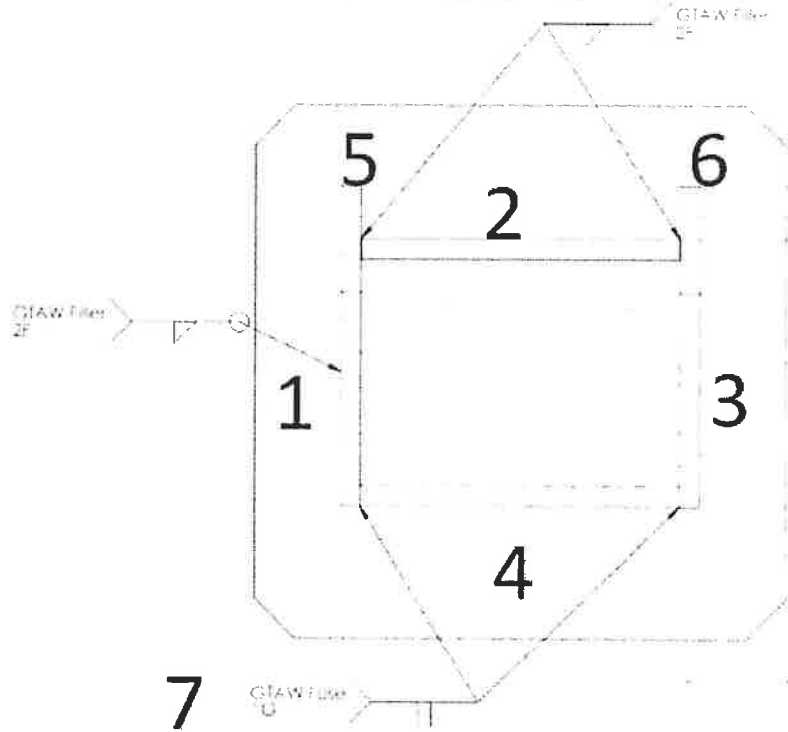
Weld #	Description	Points Possible	Score
1	2F BASE	10	7
2	2F BASE	10	6
3	2F BASE	10	7
4	2F BASE	10	7
5	2F Back	10	6
6	2F Back	10	7
7	1G Fuse	15	10
Penalty - undercut, porosity, Burn through, incomplete welds.		Total Points	50
			175





Contest # 1748

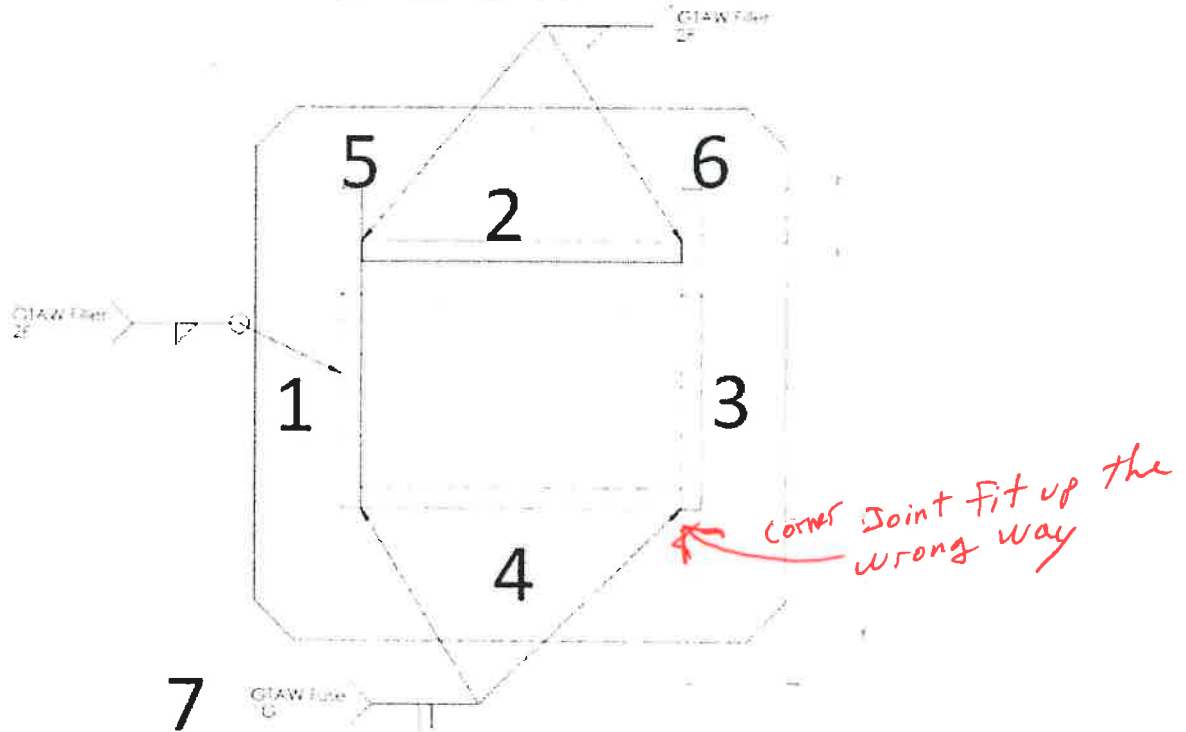
GTAW



Weld #	Description	Points Possible	Score
1	2F BASE	10	0
2	2F BASE	10	0
3	2F BASE	10	0
4	2F BASE	10	0
5	2F Back	10	0
6	2F Back	10	0
7	1G Fuse	15	0
Penalty - Lack of Fusion.		Total Points	0 175

Contest # 1774

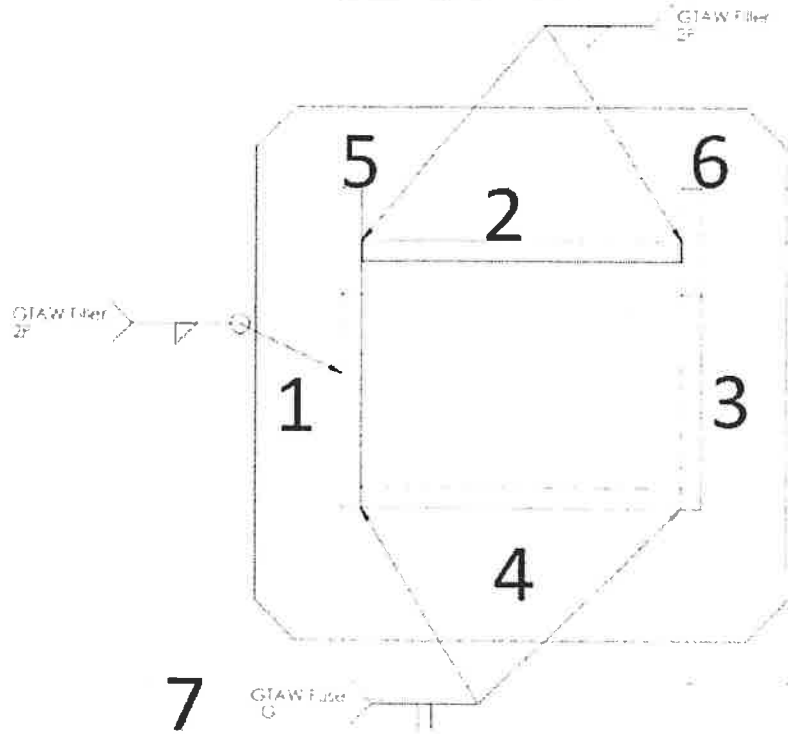
GTAW



Weld #	Description	Points Possible	Score
1	2F BASE	10	2
2	2F BASE	10	0
3	2F BASE	10	6
4	2F BASE	10	5
5	2F Back	10	0
6	2F Back	10	0
7	1G Fuse	15	6
Penalty - Incomplete Fusion, Burn through, undercut.		Total Points	19      175

Contest # 1784

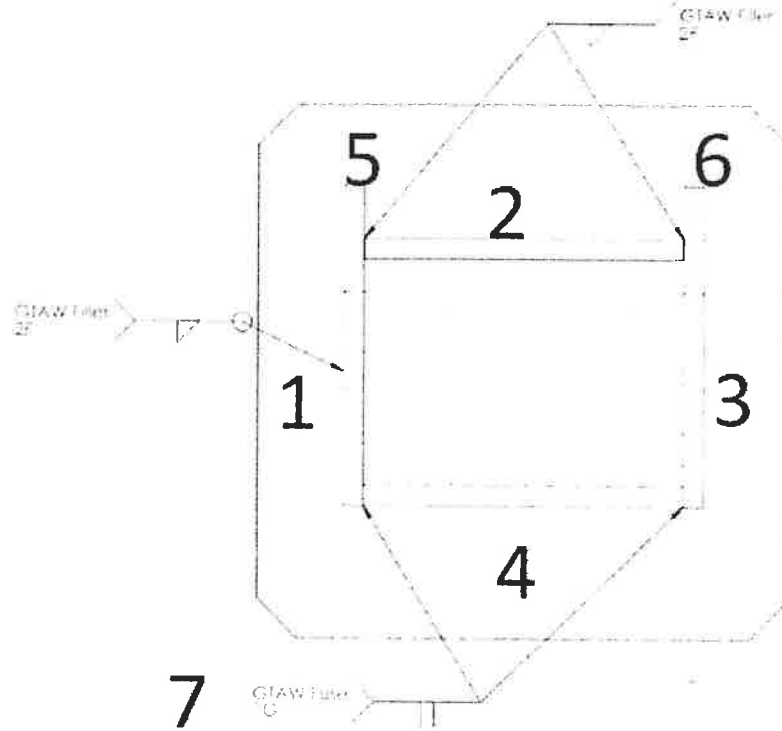
GTAW



Weld #	Description	Points Possible	Score
1	2F BASE	10	5
2	2F BASE	10	0
3	2F BASE	10	3
4	2F BASE	10	4
5	2F Back	10	1
6	2F Back	10	3
7	1G Fuse	15	7
Penalty - incomplete welds, undercut, cold lap, lack of fusion		Total Points	23
			175

Contest # 1792

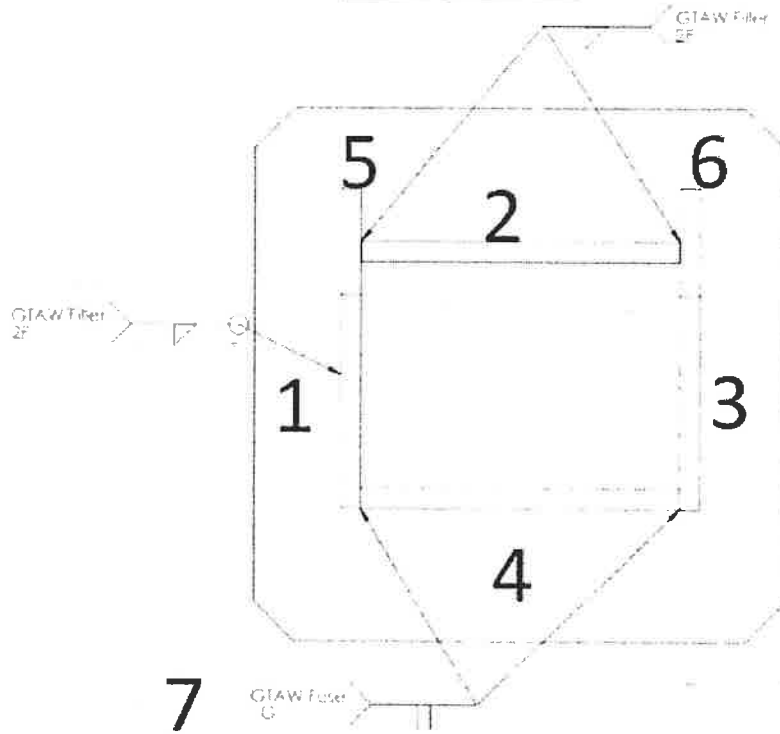
GTAW



Weld #	Description	Points Possible	Score
1	2F BASE	10	2
2	2F BASE	10	0
3	2F BASE	10	1
4	2F BASE	10	0
5	2F Back	10	0
6	2F Back	10	0
7	1G Fuse	15	8
Penalty - Lack of Fusion, cold lap undercut, sugaring/porosity, Burn through		Total Points	11 175

Contest # 1811

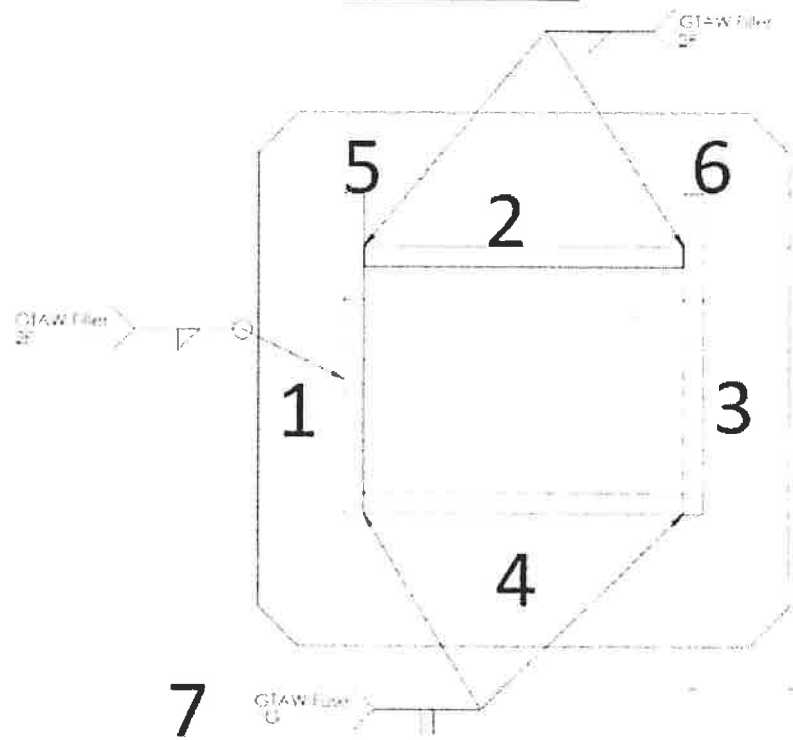
# GTAW



Weld #	Description	Points Possible	Score
1	2F BASE	10	1
2	2F BASE	10	1
3	2F BASE	10	1
4	2F BASE	10	0
5	2F Back	10	0
6	2F Back	10	0
7	1G Fuse	15	0
Penalty - <i>Incomplete, lack of Fusion</i>		Total Points	3
			175

Contest # 1829

# GTAW



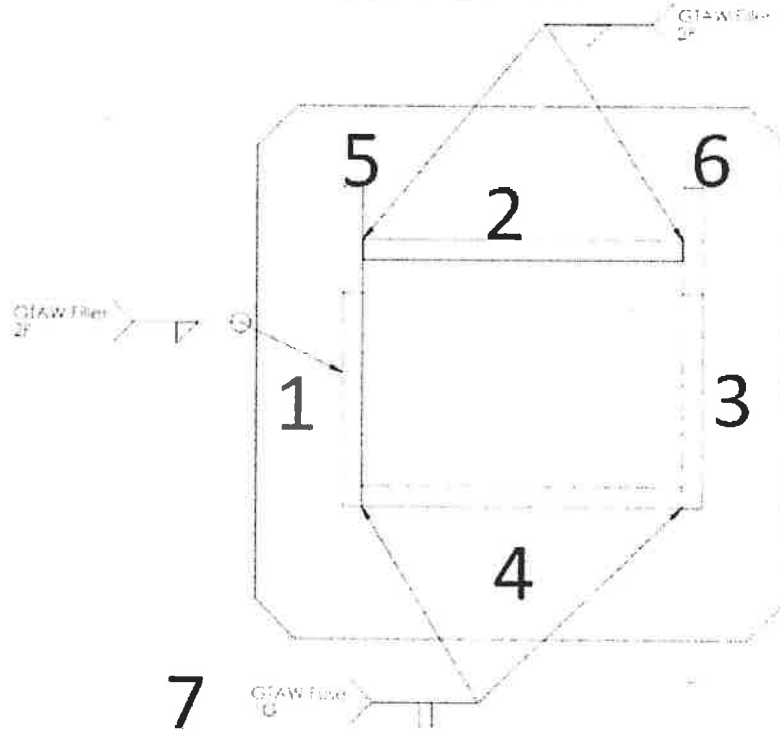
\* ~~pen~~  
watch gas coverage.

Weld #	Description	Points Possible	Score
1	2F BASE	10	0
2	2F BASE	10	6
3	2F BASE	10	0
4	2F BASE	10	4
5	2F Back	10	1
6	2F Back	10	3
7	1G Fuse	15	8
Penalty - <i>swelling / porosity, lack of fusion, undercut, incomplete.</i>		Total Points	22 175



Contest # 1833

# GTAW



Weld #	Description	Points Possible	Score
1	2F BASE	10	9
2	2F BASE	10	8 2/10
3	2F BASE	10	8
4	2F BASE	10	9 2/10
5	2F Back	10	9
6	2F Back	10	8 2/10
7	1G Fuse	15	12
Penalty - undercut, Burn through, incomplete welds		Total Points	63 175