

ITEM NO.	PART NUMBER	DESCRIPTION	QTY.
1	BASE PLATE	5" x 5" x 14ga S.S.	1
2	SIDE	5" x 3" x 14ga S.S.	2
3	BACK	5" x 3" x 14ga S.S.	1
4	FRONT	4" x 3" x 14ga S.S.	1

SIZE	DWG. NO.	REV
A	GTAW	1
SCALE: 1:1.5 Drawn: Walker /Hemler		

5

4

3

2

1

GTAW Filler
2F

GTAW Filler
2F

GTAW Fuse
1G

$\frac{1}{2}$ "

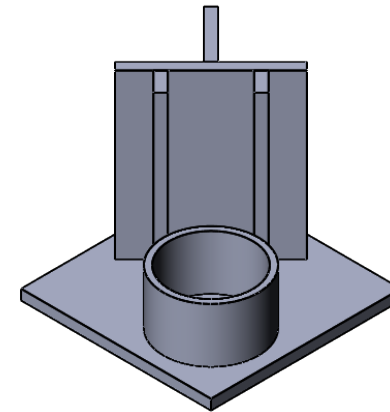
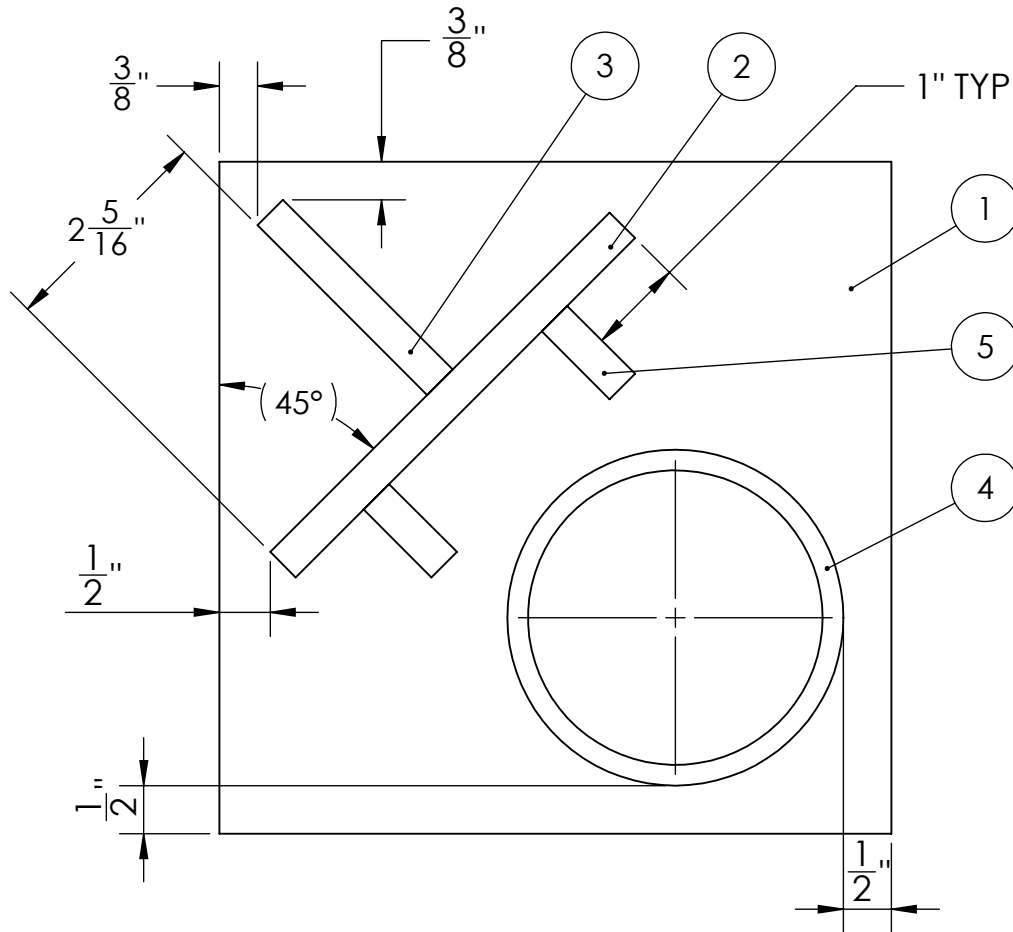
$1\frac{1}{4}$ "



$\frac{15}{16}$ "

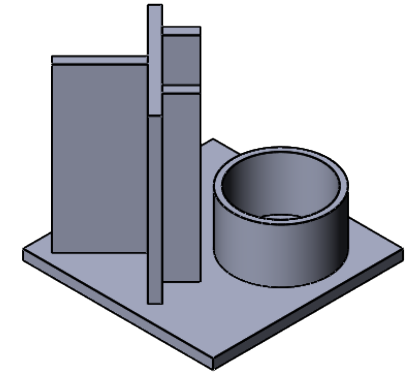
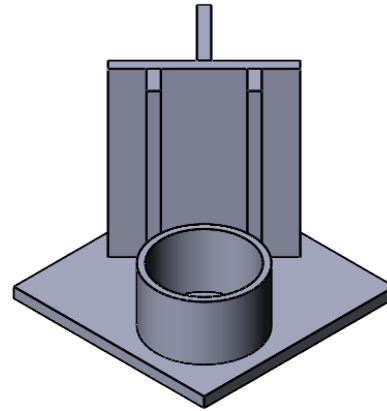
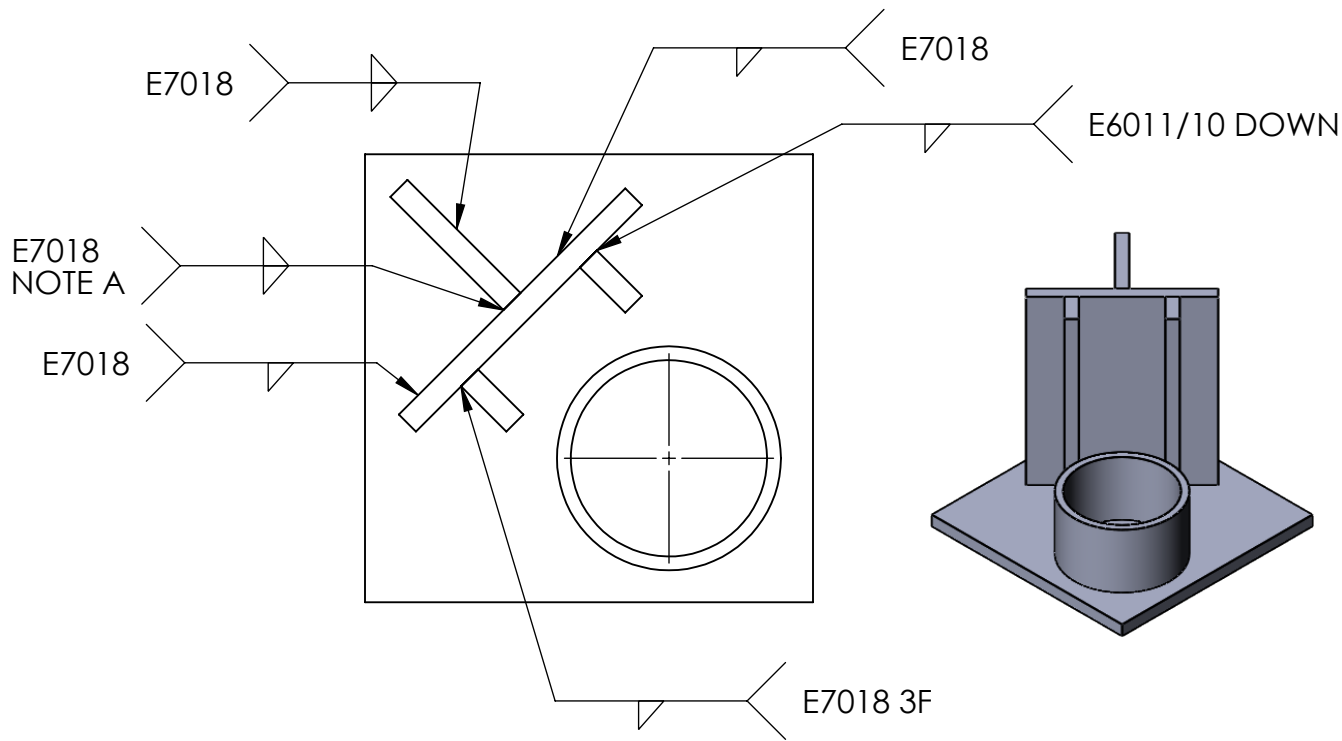
SIZE A	DWG. NO. GTAW	REV 1
SCALE: 1:1		Drawn: Walker /Hemler

5 4 3 2 1

ITEM NO.	PART NUMBER	DESCRIPTION	QTY.
1	Base	7" x 7" x 3/8" CRS	1
2	Large Coupon	5" x 6" x 3/8" CRS	1
3	Medium Coupon	2 1/2" x 6" x 3/8" CRS	1
4	Pipe	3" SCH 40 PIPE	1
5	Small Coupon	1" x 6" x 3/8" CRS	2

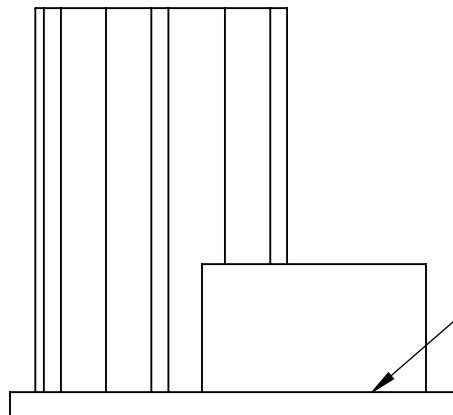


	Portage High School		Sheet Size: 8.5 x 11	Part Name: SMAW
	Drawing Produced In Accordance With: ISO 9001	Weight:	Drawing Scale: 1:2	Drawn by: Mr. King
	Unless Otherwise Stated: Linear Tol.: ±0.001" / ±0.0254mm Angular Tol.: 0°15' Mass: Pound for inch / Gram for mm Surface Finish: 32 µin / 0.8 µm All Dimensions:		Sheet Number: 1 of 3	Date Created: 3/22/2021 10:33:52 AM
	Projection Method: THIRD ANGLE 			Material:





NOTE A:
 ARROW SIDE 3 PASS WELD
 1ST 6"
 2ND 4"
 3RD 2"

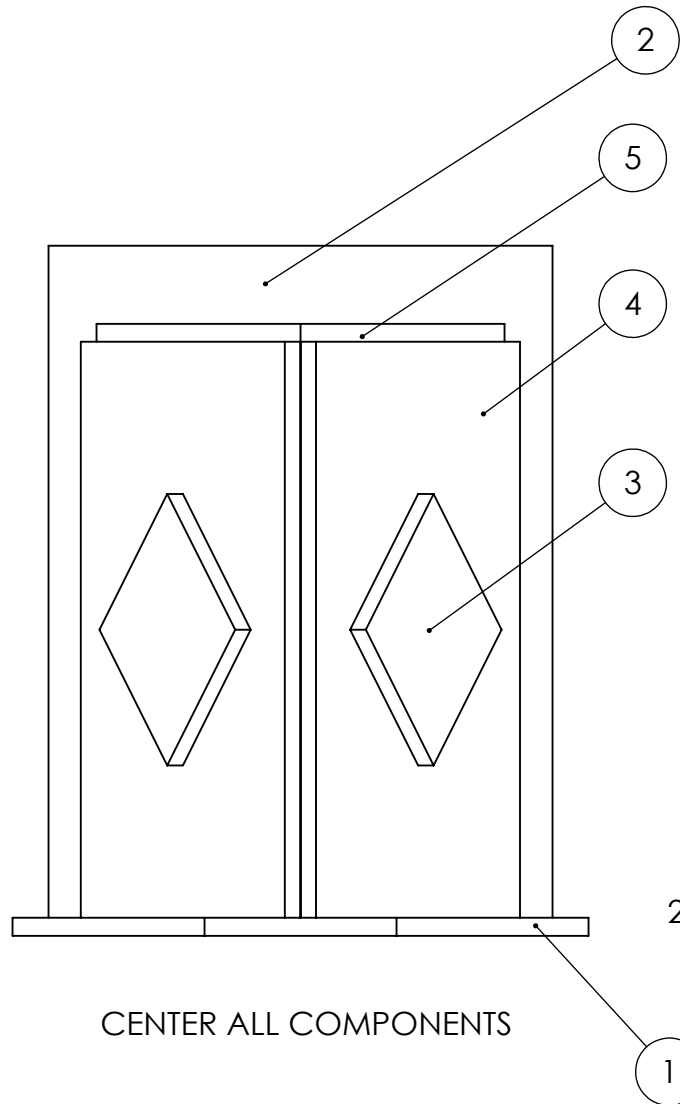
OTHER E7018



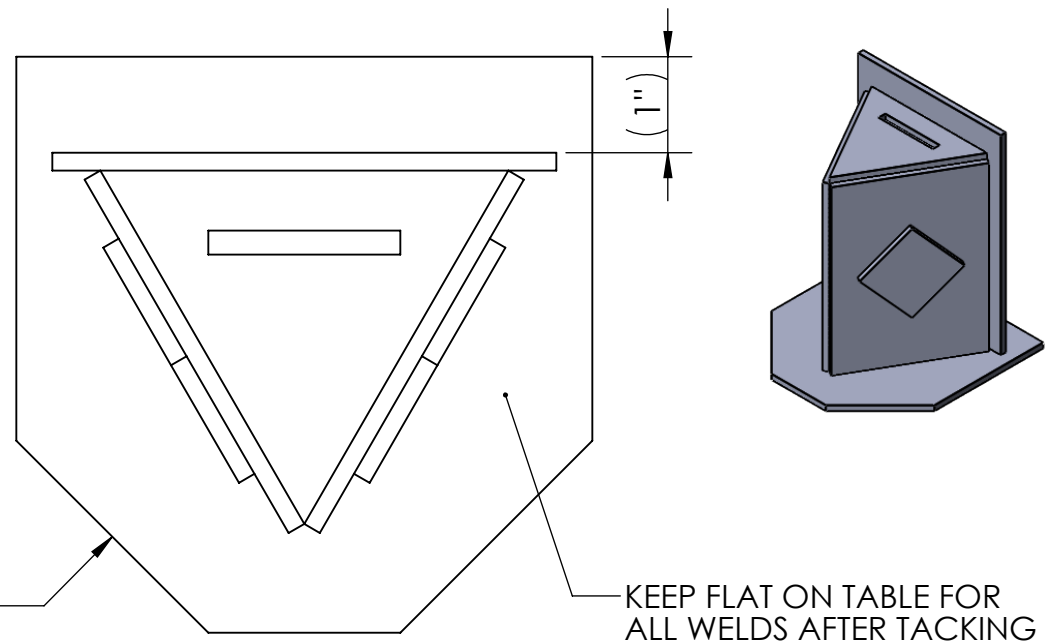
ASSEMBLY NOT REQUIRED BEFORE WELDING



	Portage High School		Sheet Size: 8.5 x 11	Part Name: SMAW
	Drawing Produced In Accordance With: ISO 9001	Weight:	Drawing Scale: 1:3	Drawn by: Mr. King
	Unless Otherwise Stated: Linear Tol.: $\pm 0.001"$ / $\pm 0.0254\text{mm}$ Angular Tol.: $0^{\circ}15'$ Mass: Pound for inch / Gram for mm Surface Finish: 32 μin / 0.8 μm All Dimensions:		Sheet Number: 2 of 3	Date Created: 3/22/2021 10:33:52 AM
	Projection Method: THIRD ANGLE 			Material:

ITEM NO.	PART NUMBER	DESCRIPTION	QTY.
1	GMAW Base	6" x 6" x 7GA	1
2	Back	5 1/4" x 7" x 7GA	1
3	Diamond	2" x 2" x 7GA	2
4	Front	4 1/4" x 6" x 7GA	2
5	Top	4 1/4" x 7GA	1



UNLESS OTHERWISE SPECIFIED WELD ALL JOINTS
GMAW



	Portage High School		Sheet Size: 8.5 x 11	Part Name: MIGGY BANK
	Drawing Produced In Accordance With: ISO 9001	Weight:	Drawing Scale: 1:2	Drawn by: Mr. King
	Unless Otherwise Stated: Linear Tol.: ±0.001" / ±0.0254mm Angular Tol.: 0°15' Mass: Pound for inch / Gram for mm Surface Finish: 32 µin / 0.8 µm All Dimensions:		Sheet Number: 3 of 3	Date Created: 3/22/2021 10:33:52 AM
	Projection Method:  THIRD ANGLE			Material: