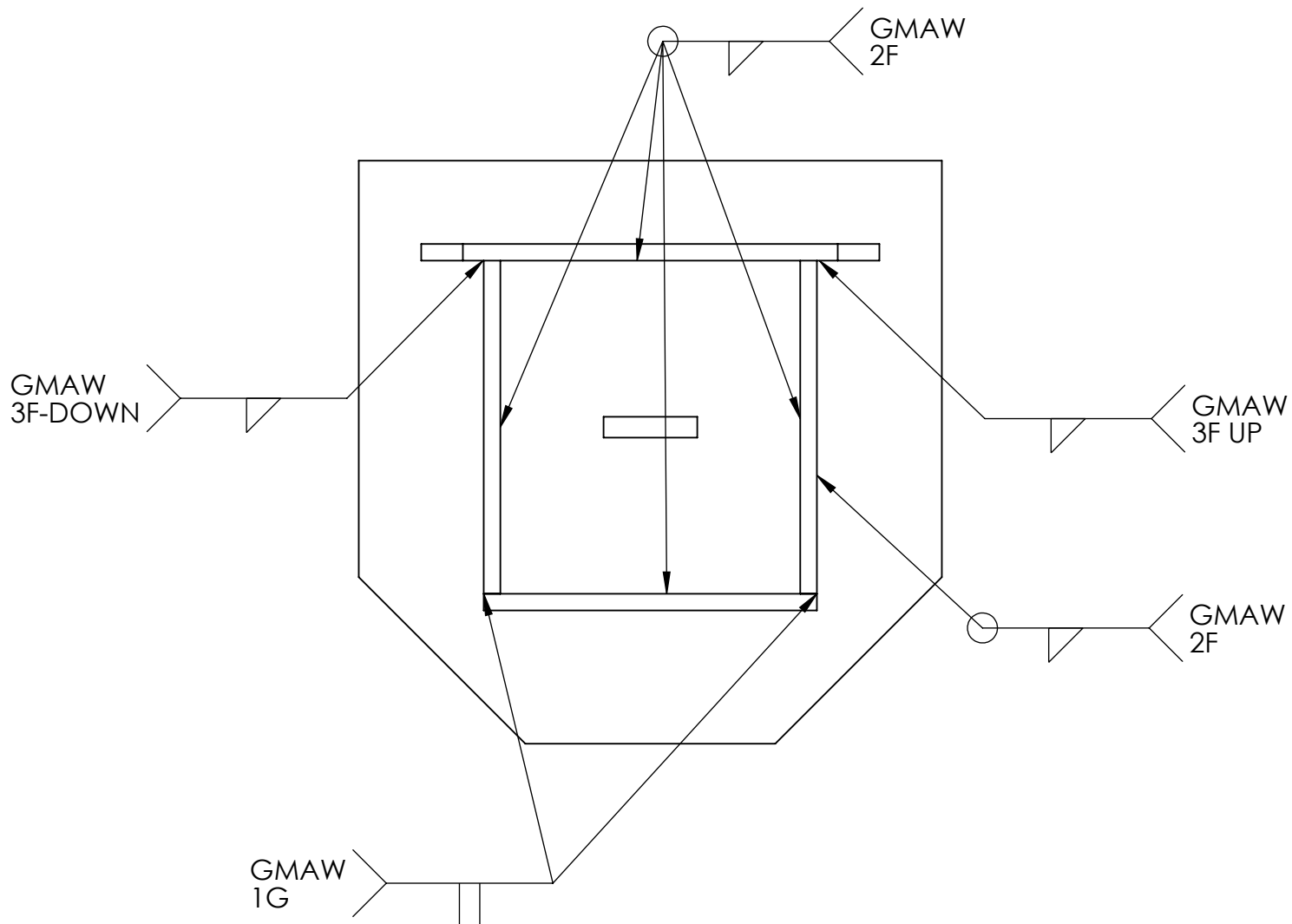



ITEM NO.	PART NUMBER	QTY.
1	7"x7"x 7ga	1
2	4"x5"x7ga	3
3	5.5"x5.75"x7ga	1
4	3.625"x4"x7ga	1

<b>Portage High School</b>		Sheet Size: 8.5 x 11	Part Name: <b>GMAW STATE 2019</b>
Projection Method: THIRD ANGLE	Weight: <b>8.50</b>	Drawing Scale: 1:2	Drawn by: <b>HEMLER / WALKER</b>
<b>Unless Otherwise Stated:</b> Linear Tol.: ±0.001" / ±0.0254mm Angular Tol.: 0°15' Mass: Pound for inch / Gram for mm Surface Finish: 32 µin / 0.8 µm <b>All Dimensions:</b>		Sheet Number: 1 of 2	Date Created: <b>2/12/2019 11:23:57 AM</b>
			Material: <b>CRS</b>



<b>Portage High School</b>		Sheet Size: 8.5 x 11	Part Name: <b>GMAW STATE 2019</b>
Projection Method: THIRD ANGLE 	Weight: <b>8.50</b>	Drawing Scale: 1:2	Drawn by: <b>HEMLER / WALKER</b>
<b>Unless Otherwise Stated:</b> Linear Tol.: $\pm 0.001"$ / $\pm 0.0254\text{mm}$ Angular Tol.: $0^{\circ}15'$ Mass: Pound for inch / Gram for mm Surface Finish: $32\ \mu\text{in}$ / $0.8\ \mu\text{m}$ All Dimensions:		Sheet Number: 2 of 2	Date Created: <b>2/12/2019 11:23:57 AM</b>
			Material: <b>CRS</b>