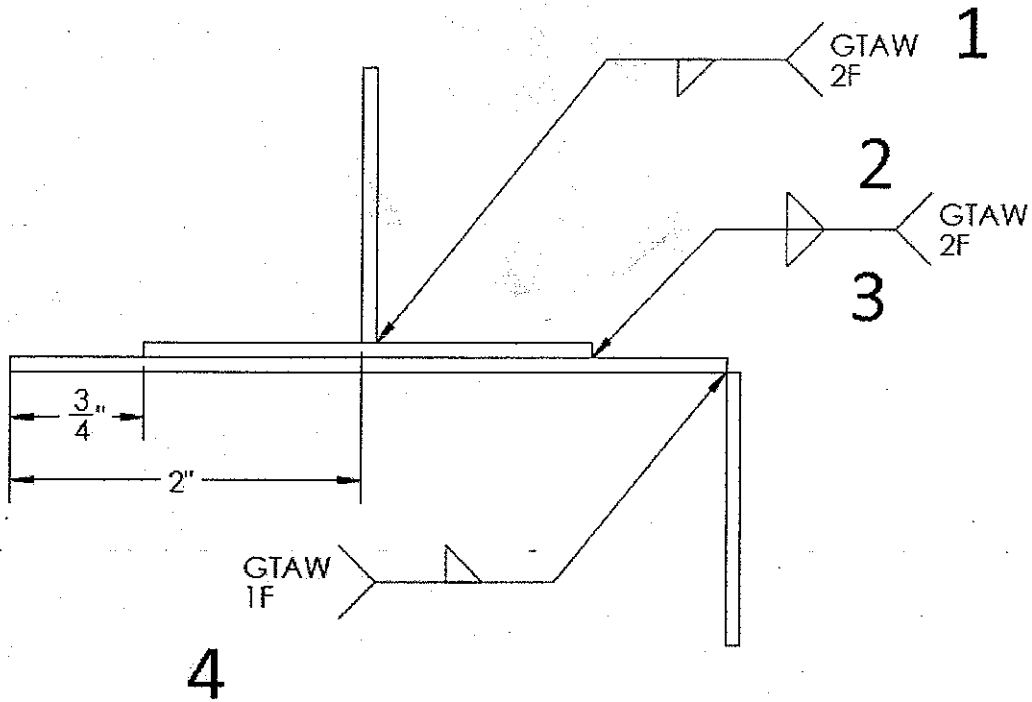
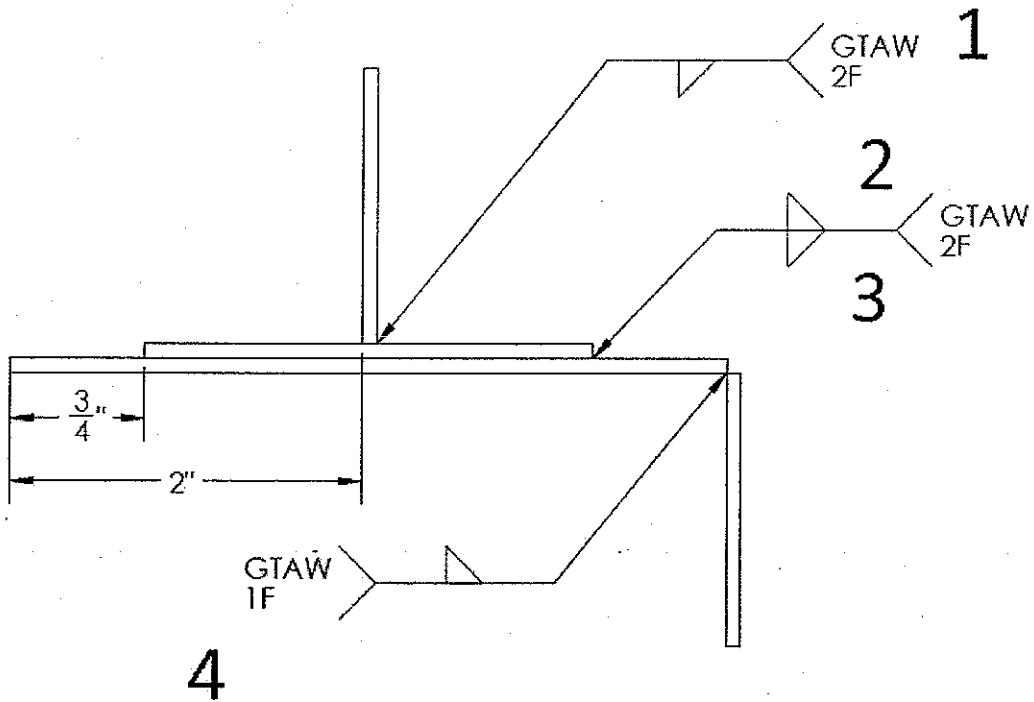


CONTESTANT NUMBER 1022



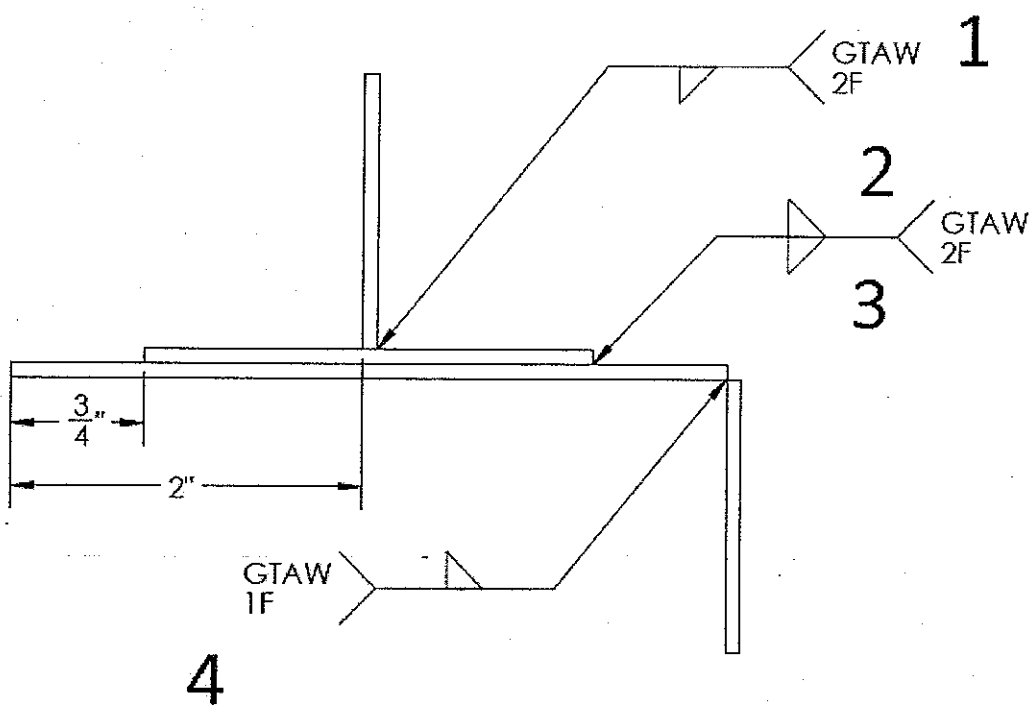
	WELD/PAC	PTS POSSIBLE	
1	GTAW T	15	/25
2	GTAW LAP	18	/25
3	GTAW LAP	17	/25
4	GTAW CORNER	16	/25
	LAYOUT PENALTY		
TOTAL		51 66	/100 PTS

CONTESTANT NUMBER 1029



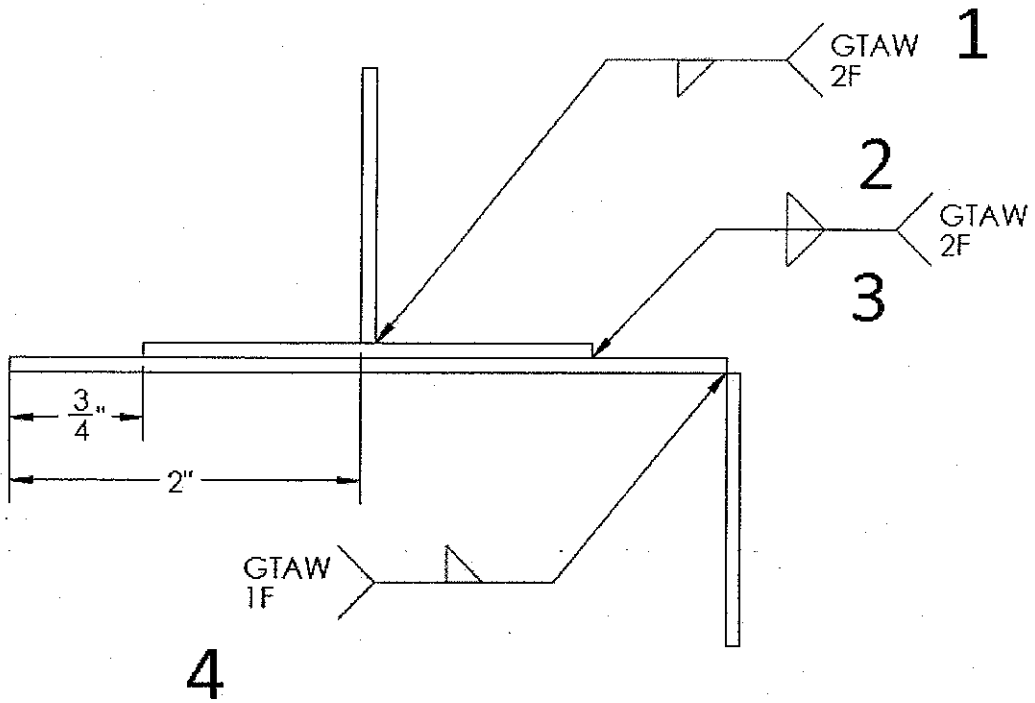
	WELD/PAC	PTS POSSIBLE	
1	GTAW T	16	/25
2	GTAW LAP	0	/25
3	GTAW LAP	16	/25
4	GTAW CORNER	15	/25
	LAYOUT PENALTY		
TOTAL		47	/100 PTS

CONTESTANT NUMBER 1033



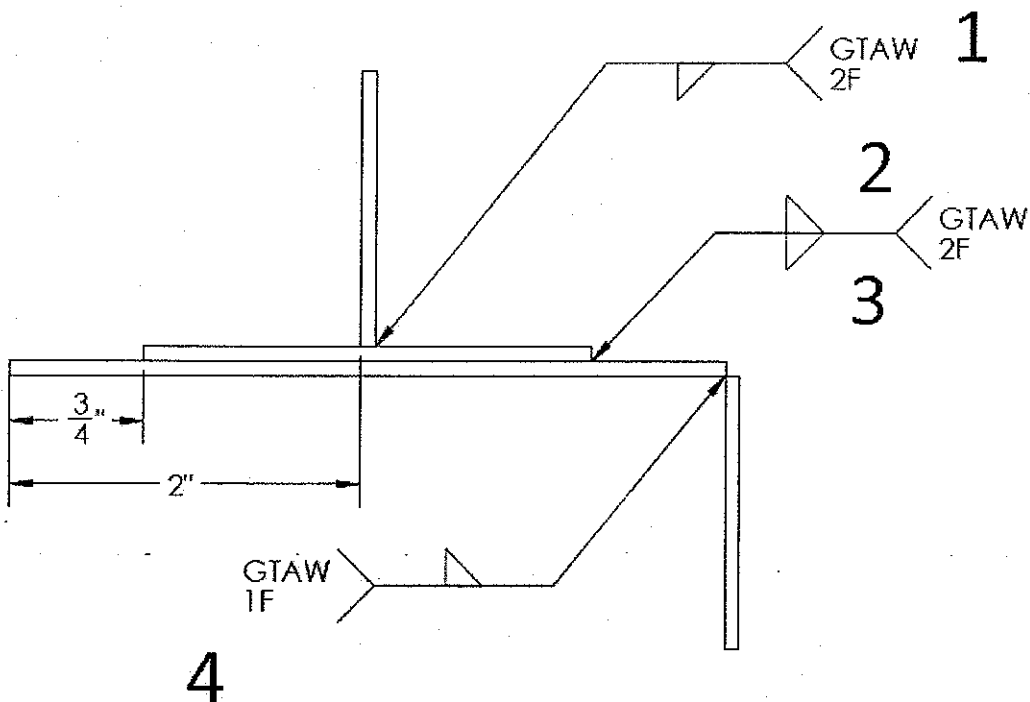
	WELD/PAC	PTS POSSIBLE	
1	GTAW T	15	/25
2	GTAW LAP	15	/25
3	GTAW LAP	14	/25
4	GTAW CORNER	16	/25
	LAYOUT PENALTY		
TOTAL		60	/100 PTS

CONTESTANT NUMBER 1035



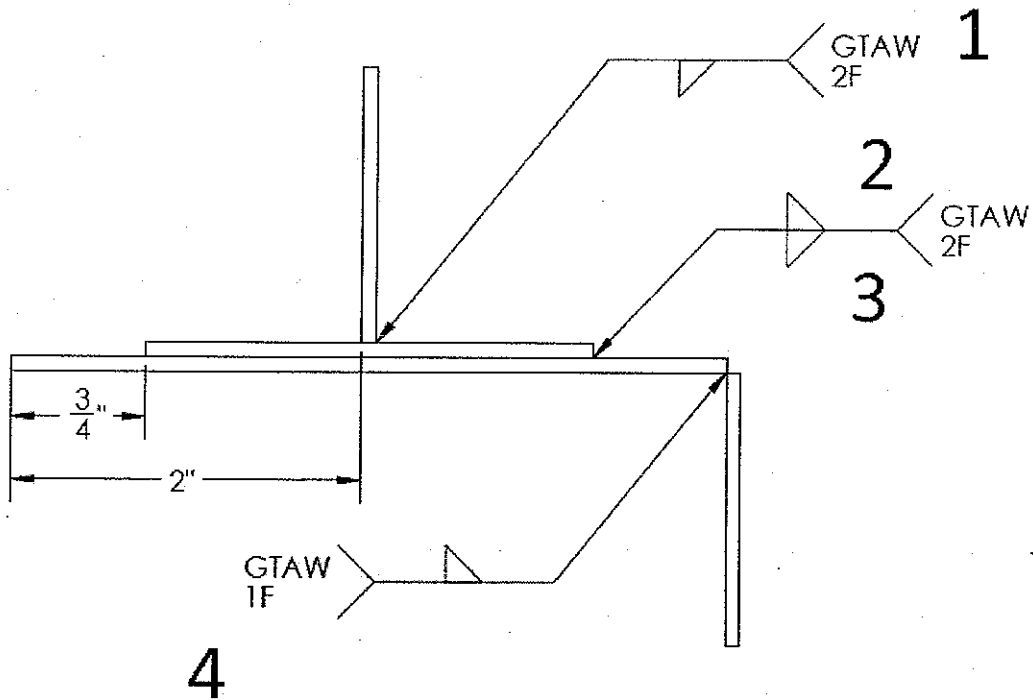
	WELD/PAC	PTS POSSIBLE
1	GTAW T	19 /25
2	GTAW LAP	20 /25
3	GTAW LAP	19 /25
4	GTAW CORNER	19 /25
	LAYOUT PENALTY	
TOTAL		77 /100 PTS

CONTESTANT NUMBER 1046



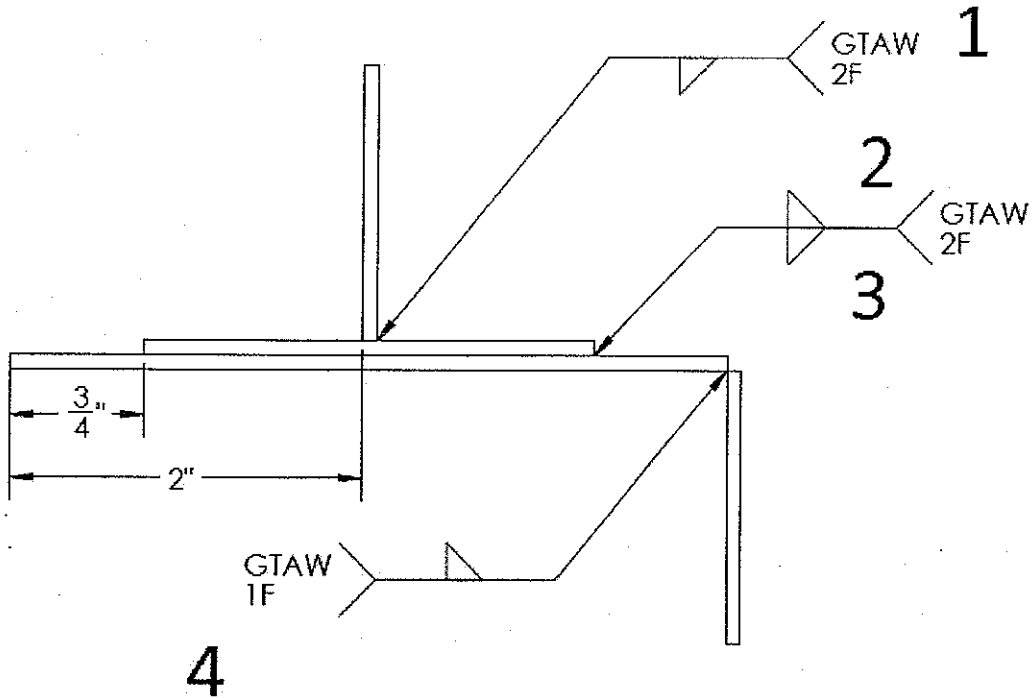
	WELD/PAC	PTS POSSIBLE
1	GTAW T	16 /25
2	GTAW LAP	14 /25
3	GTAW LAP	13 /25
4	GTAW CORNER	13 /25
	LAYOUT PENALTY	-3
TOTAL		53 /100 PTS

CONTESTANT NUMBER 1048



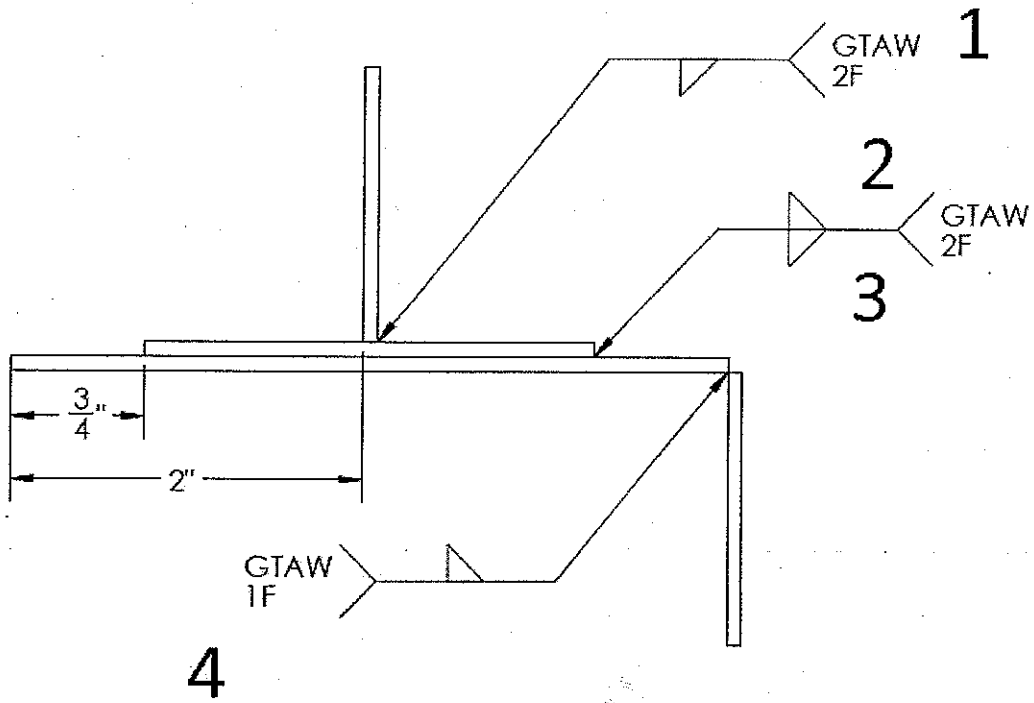
	WELD/PAC	PTS POSSIBLE	
1	GTAW T	15	/25
2	GTAW LAP	16	/25
3	GTAW LAP	16	/25
4	GTAW CORNER	17	/25
	LAYOUT PENALTY		
TOTAL		64	/100 PTS

CONTESTANT NUMBER 1068



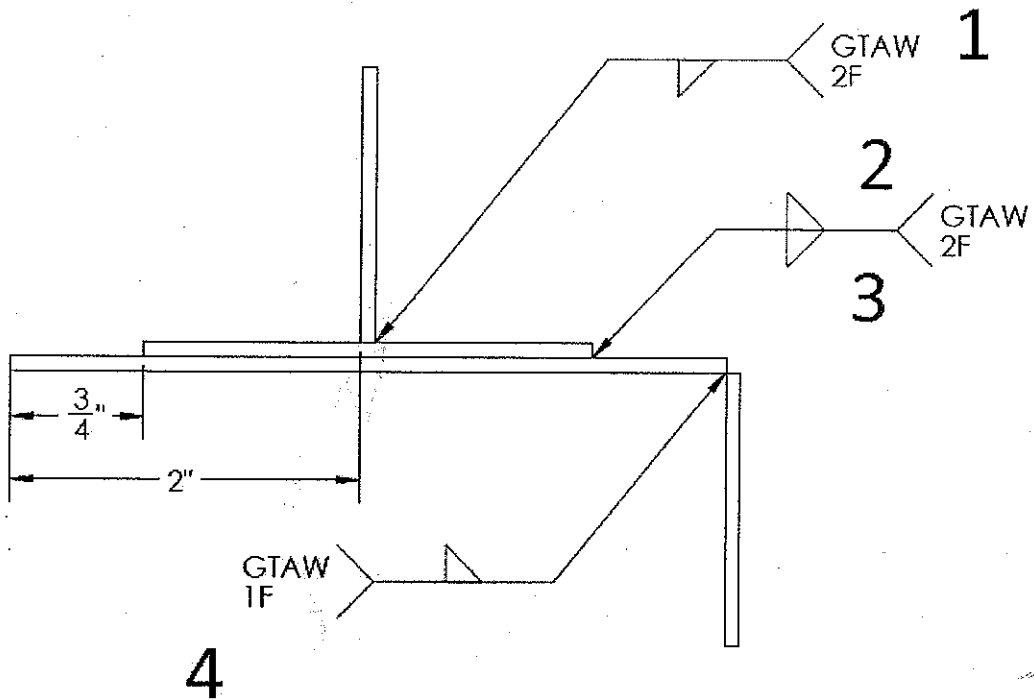
	WELD/PAC	PTS POSSIBLE	
1	GTAW T	14	/25
2	GTAW LAP	15	/25
3	GTAW LAP	16	/25
4	GTAW CORNER	19	/25
	LAYOUT PENALTY		
TOTAL		64	/100 PTS

CONTESTANT NUMBER 1076



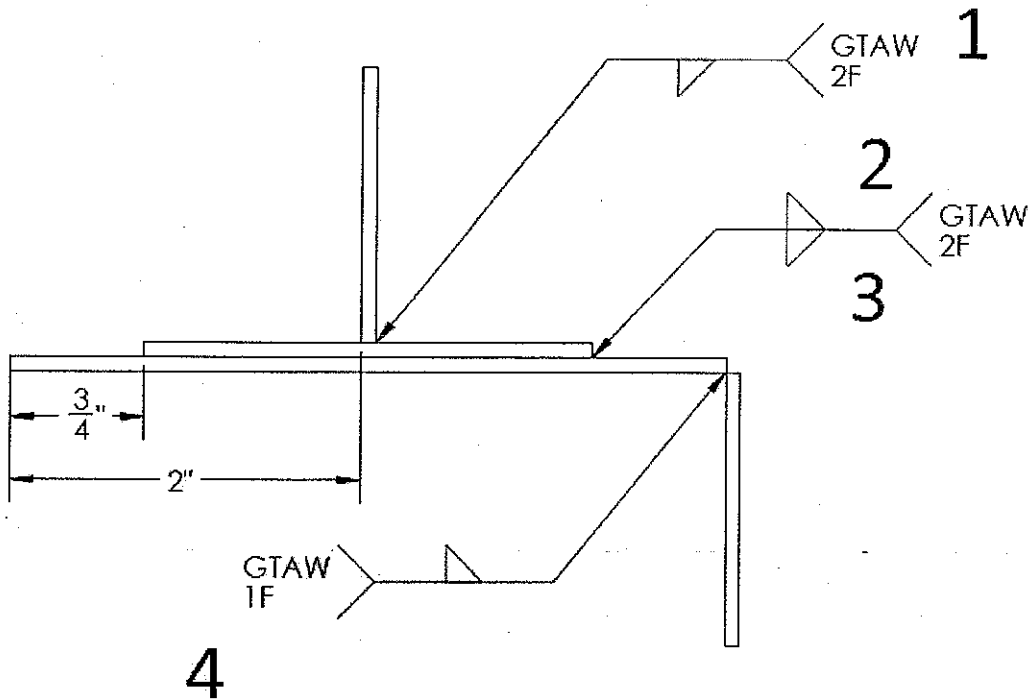
	WELD/PAC	PTS POSSIBLE	
1	GTAW T	10	/25
2	GTAW LAP	10	/25
3	GTAW LAP	6	/25
4	GTAW CORNER	11	/25
	LAYOUT PENALTY		
TOTAL		37	/100 PTS

CONTESTANT NUMBER 1087



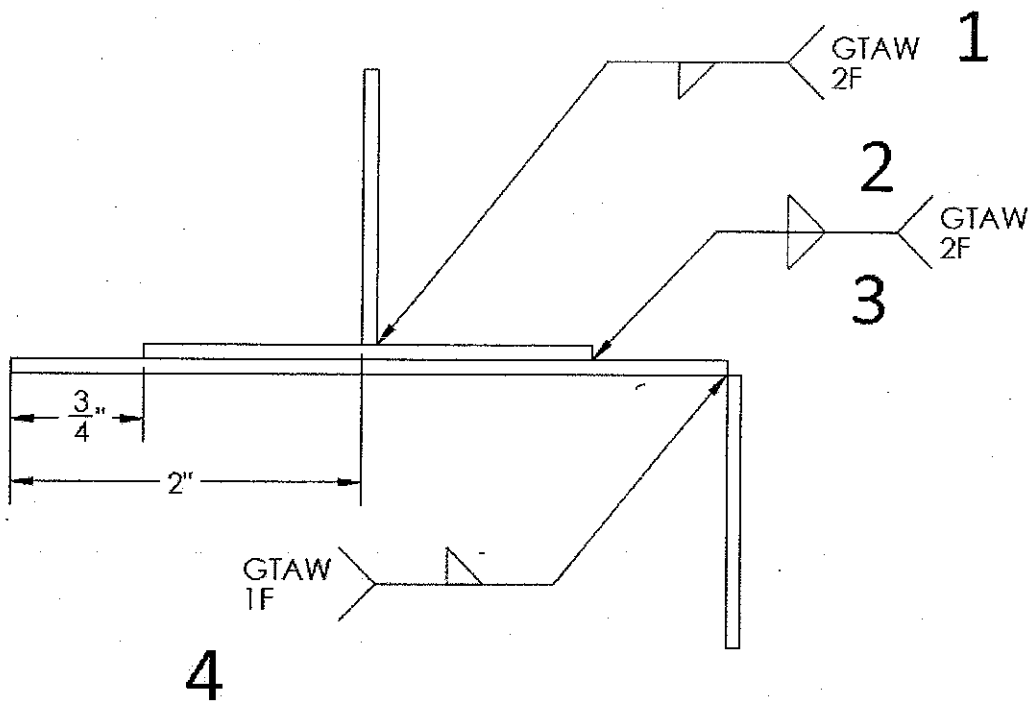
	WELD/PAC	PTS POSSIBLE	
1	GTAW T	17	/25
2	GTAW LAP	15	/25
3	GTAW LAP	15	/25
4	GTAW CORNER	17	/25
	LAYOUT PENALTY		
TOTAL		64	/100 PTS

CONTESTANT NUMBER 1094



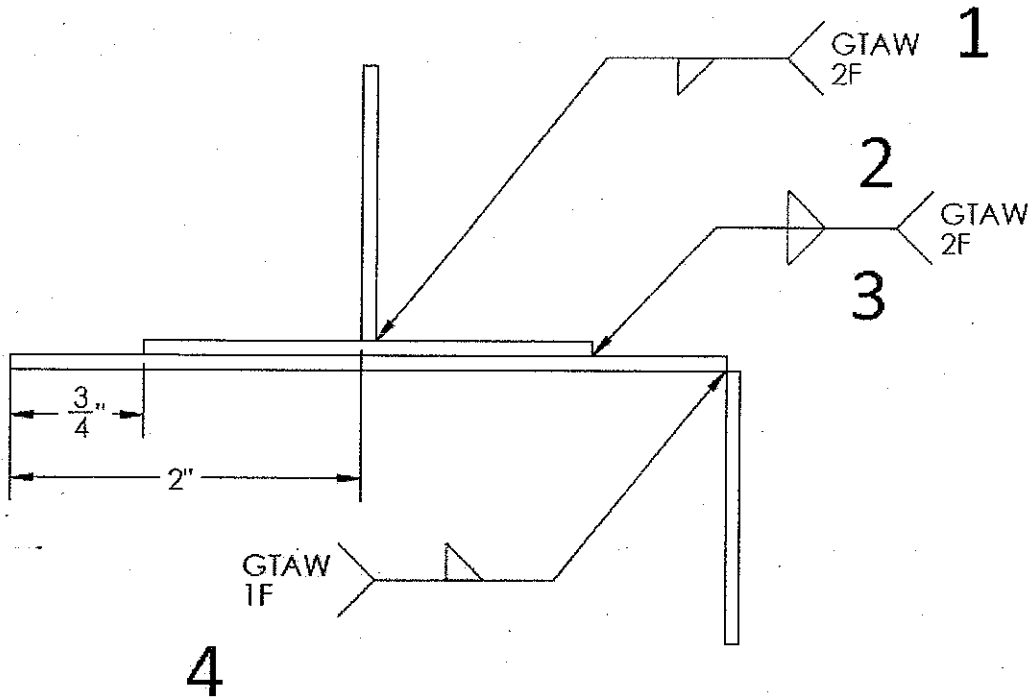
	WELD/PAC	PTS POSSIBLE	
1	GTAW T	14	/25
2	GTAW LAP	0	/25
3	GTAW LAP	15	/25
4	GTAW CORNER	12	/25
	LAYOUT PENALTY		
TOTAL		41	/100 PTS

CONTESTANT NUMBER 1106



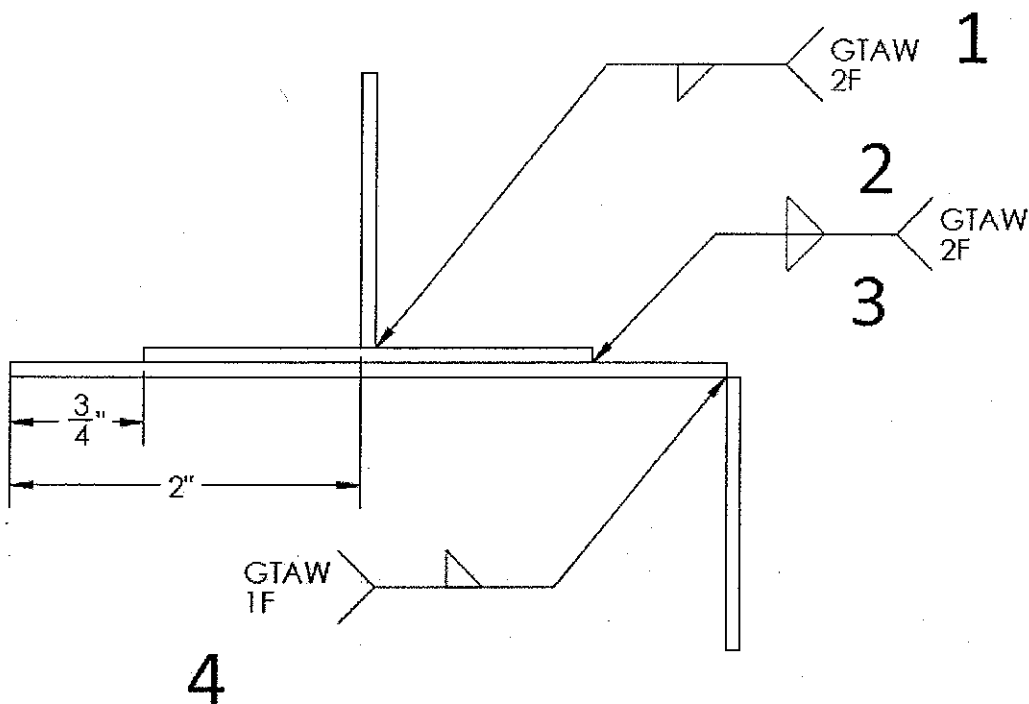
	WELD/PAC	PTS POSSIBLE	
1	GTAW T	14	/25
2	GTAW LAP	0	/25
3	GTAW LAP	14	/25
4	GTAW CORNER	0	/25
	LAYOUT PENALTY		
TOTAL		28	/100 PTS

CONTESTANT NUMBER 1107



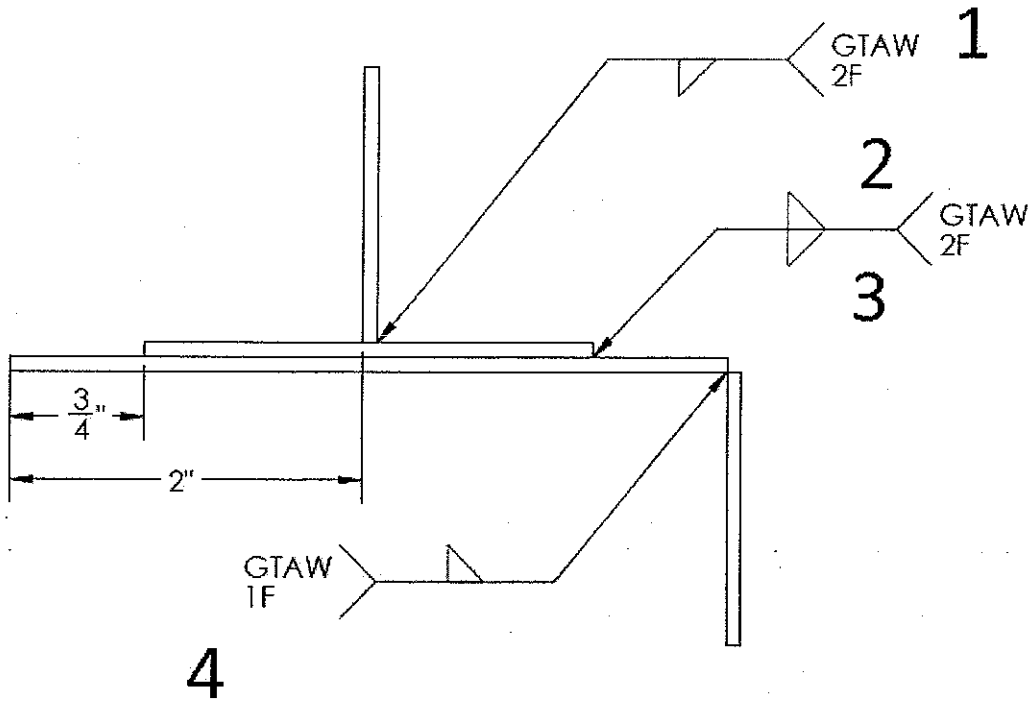
	WELD/PAC	PTS POSSIBLE	
1	GTAW T	12	/25
2	GTAW LAP	13	/25
3	GTAW LAP	15	/25
4	GTAW CORNER	17	/25
	LAYOUT PENALTY		
TOTAL		57	/100 PTS

CONTESTANT NUMBER 1136



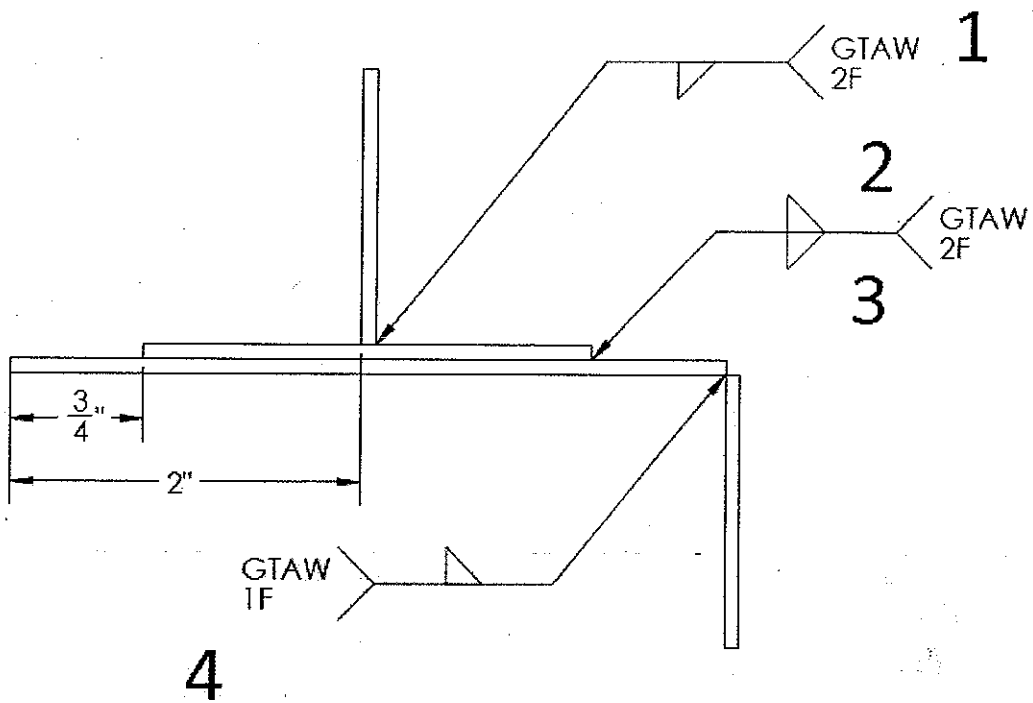
	WELD/PAC	PTS POSSIBLE	
1	GTAW T	17	/25
2	GTAW LAP	18	/25
3	GTAW LAP	18	/25
4	GTAW CORNER	18	/25
	LAYOUT PENALTY		
TOTAL		71	/100 PTS

CONTESTANT NUMBER 1147



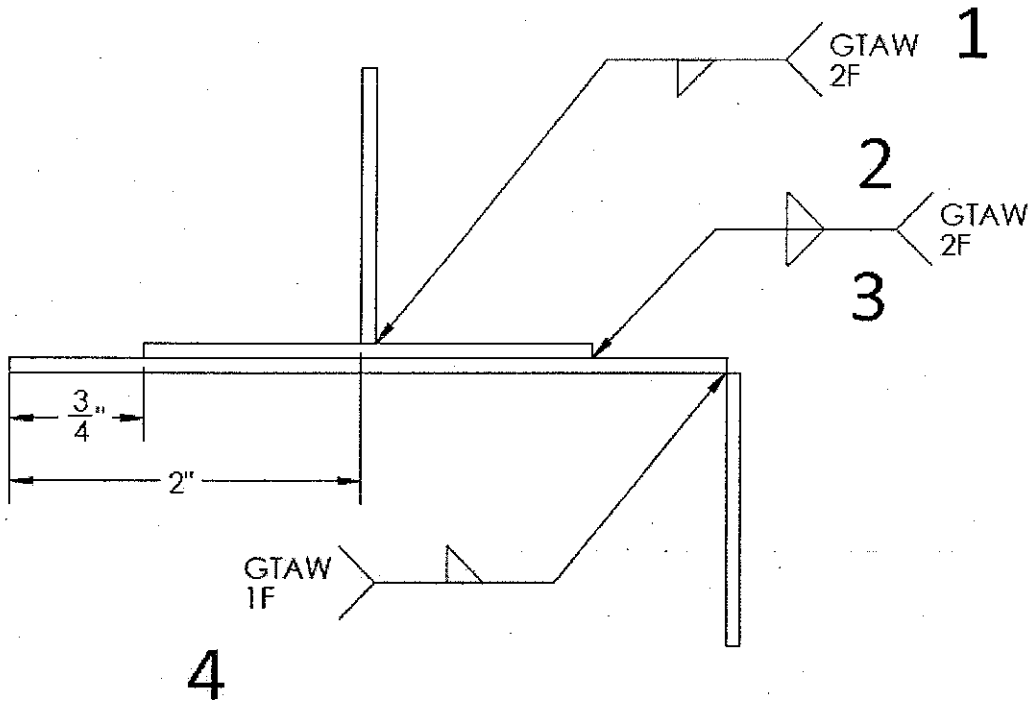
	WELD/PAC	PTS POSSIBLE
1	GTAW T	/25
2	GTAW LAP	1 /25
3	GTAW LAP	1 /25
4	GTAW CORNER	/25
	LAYOUT PENALTY	
TOTAL		2 /100 PTS

CONTESTANT NUMBER 1150



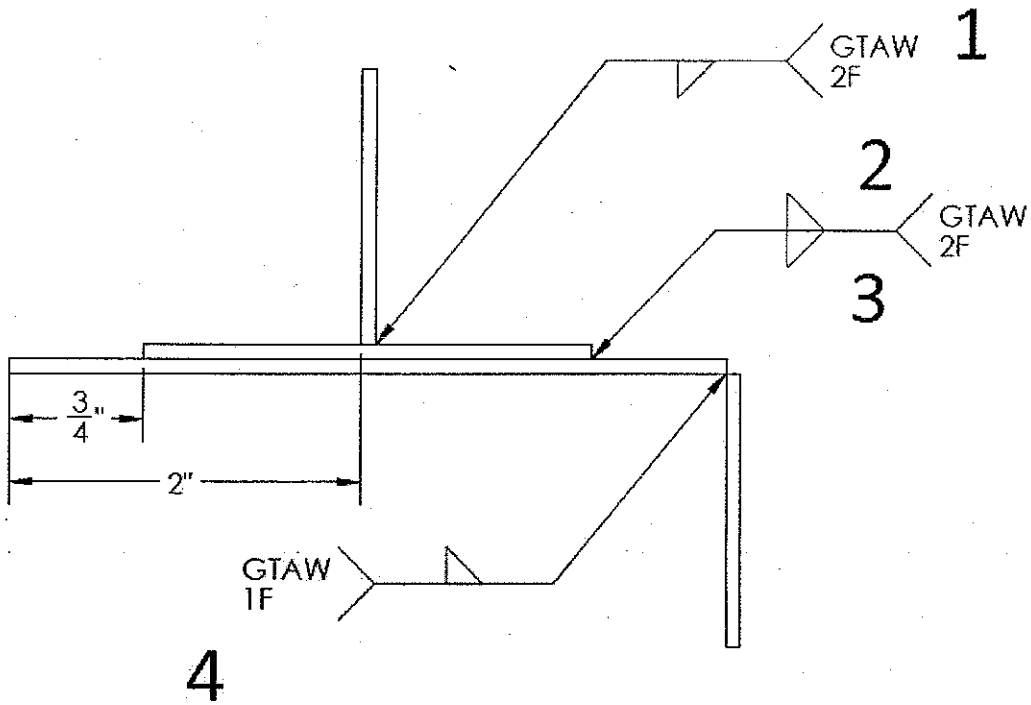
	WELD/PAC	PTS POSSIBLE	
1	GTAW T	16	/25
2	GTAW LAP	17	/25
3	GTAW LAP	15	/25
4	GTAW CORNER	16	/25
	LAYOUT PENALTY		
TOTAL		64	/100 PTS

CONTESTANT NUMBER 1151



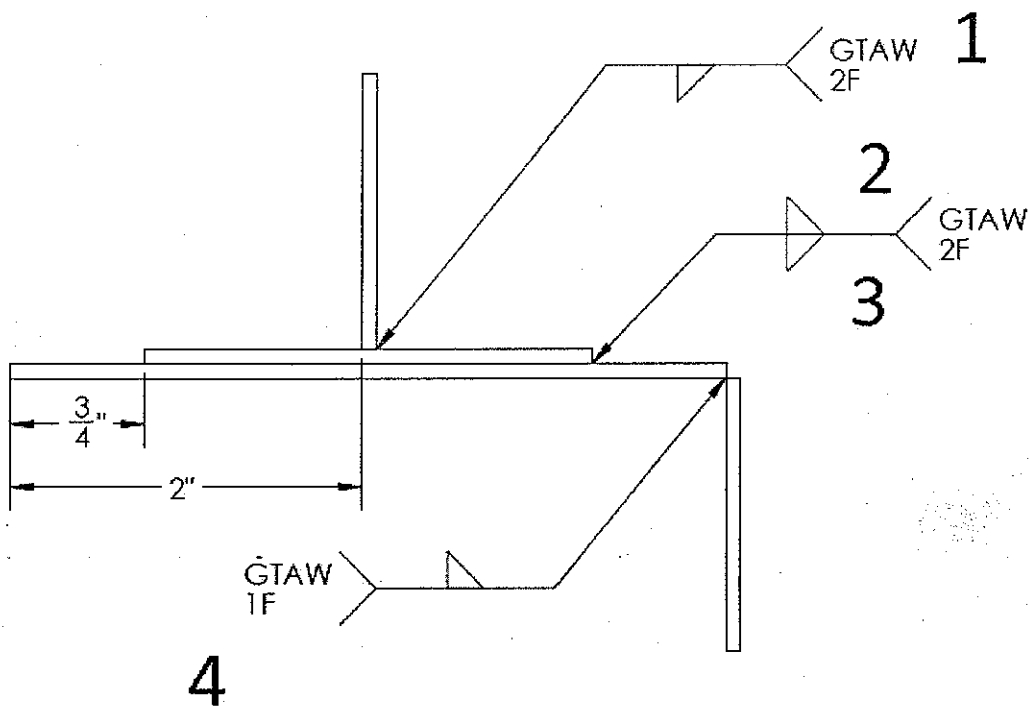
	WELD/PAC	PTS POSSIBLE	
1	GTAW T	17	/25
2	GTAW LAP	16	/25
3	GTAW LAP	16	/25
4	GTAW CORNER	18	/25
	LAYOUT PENALTY		
TOTAL		67	/100 PTS

CONTESTANT NUMBER 1211



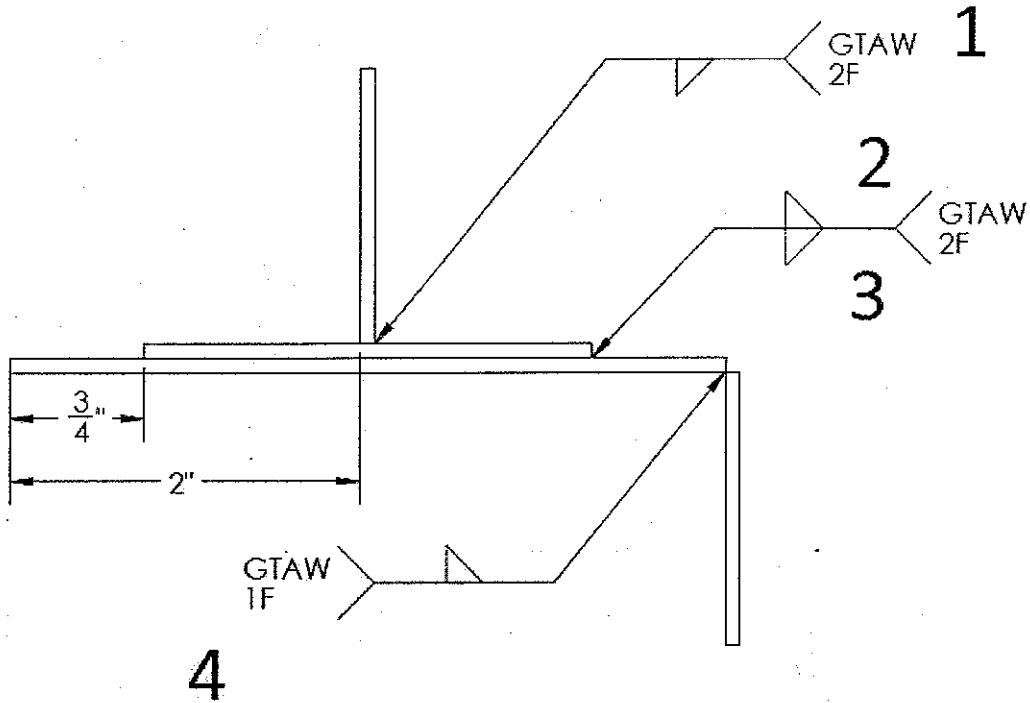
	WELD/PAC	PTS POSSIBLE
1	GTAW T	/25
2	GTAW LAP	/25
3	GTAW LAP	/25
4	GTAW CORNER	/25
	LAYOUT PENALTY	
TOTAL		<input type="text"/> /100 PTS

CONTESTANT NUMBER 1212



	WELD/PAC	PTS POSSIBLE	
1	GTAW T	16	/25
2	GTAW LAP	19	/25
3	GTAW LAP	19	/25
4	GTAW CORNER	18	/25
	LAYOUT PENALTY		
TOTAL		72	/100 PTS

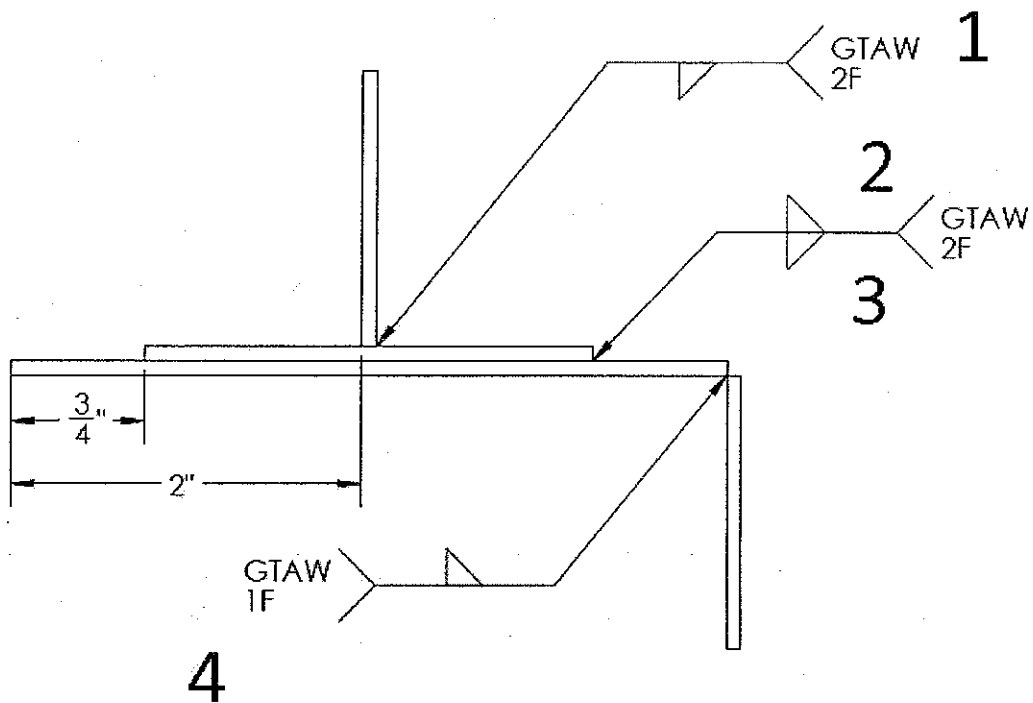
CONTESTANT NUMBER 1213



	WELD/PAC	PTS POSSIBLE
1	GTAW T	21 /25
2	GTAW LAP	19 /25
3	GTAW LAP	20 /25
4	GTAW CORNER	20 /25
	LAYOUT PENALTY	
TOTAL		80 /100 PTS

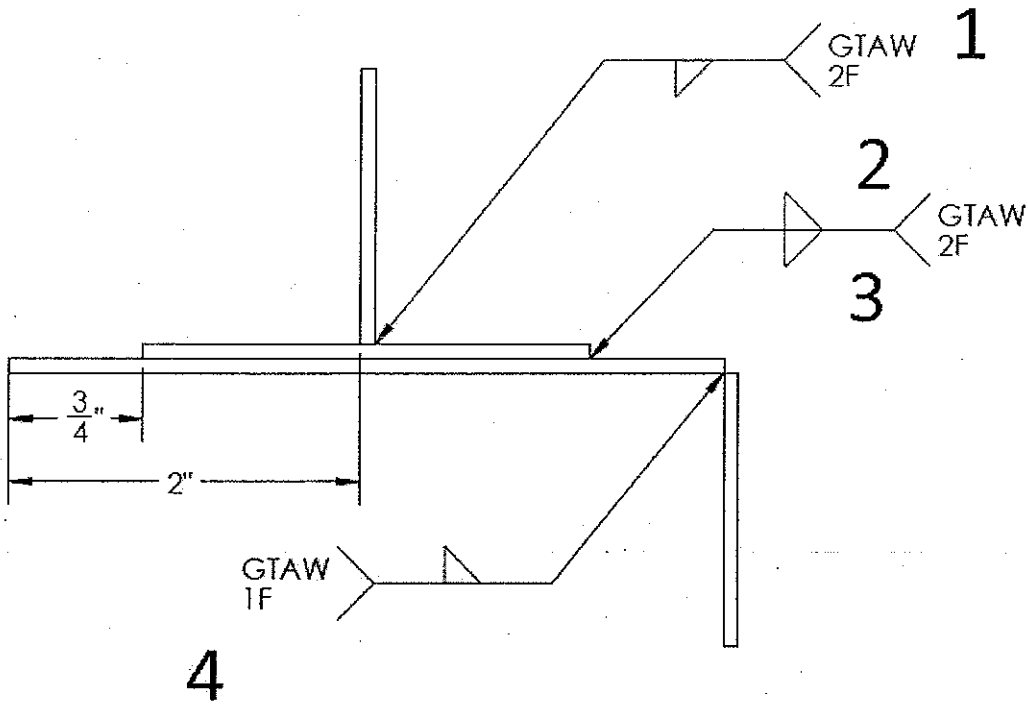


CONTESTANT NUMBER 1224



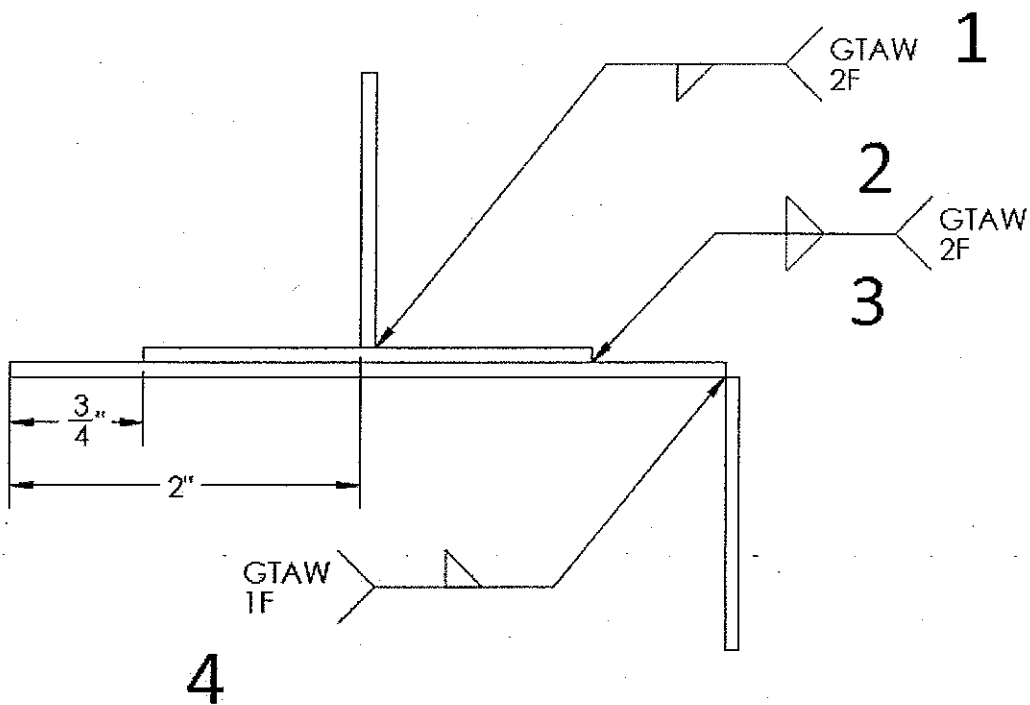
	WELD/PAC	PTS POSSIBLE	
1	GTAW T	18	/25
2	GTAW LAP	17	/25
3	GTAW LAP	16	/25
4	GTAW CORNER	19	/25
	LAYOUT PENALTY		
TOTAL		70	/100 PTS

CONTESTANT NUMBER 1239



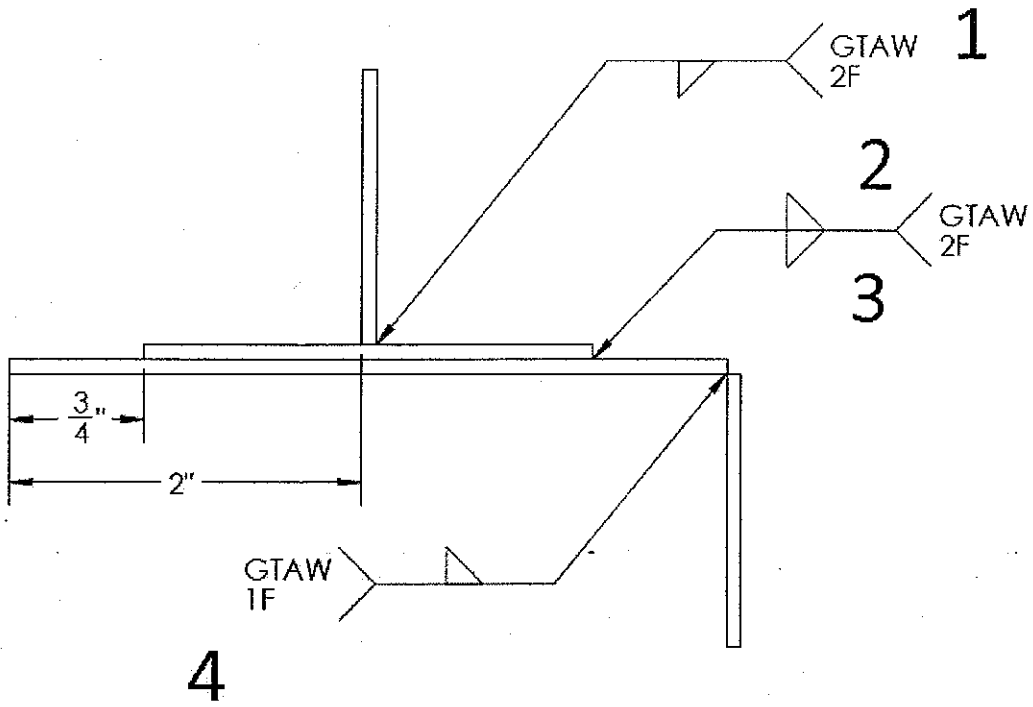
	WELD/PAC	PTS POSSIBLE	
1	GTAW T	12	/25
2	GTAW LAP	12	/25
3	GTAW LAP	13	/25
4	GTAW CORNER	14	/25
	LAYOUT PENALTY		
TOTAL		51	/100 PTS

CONTESTANT NUMBER 1244



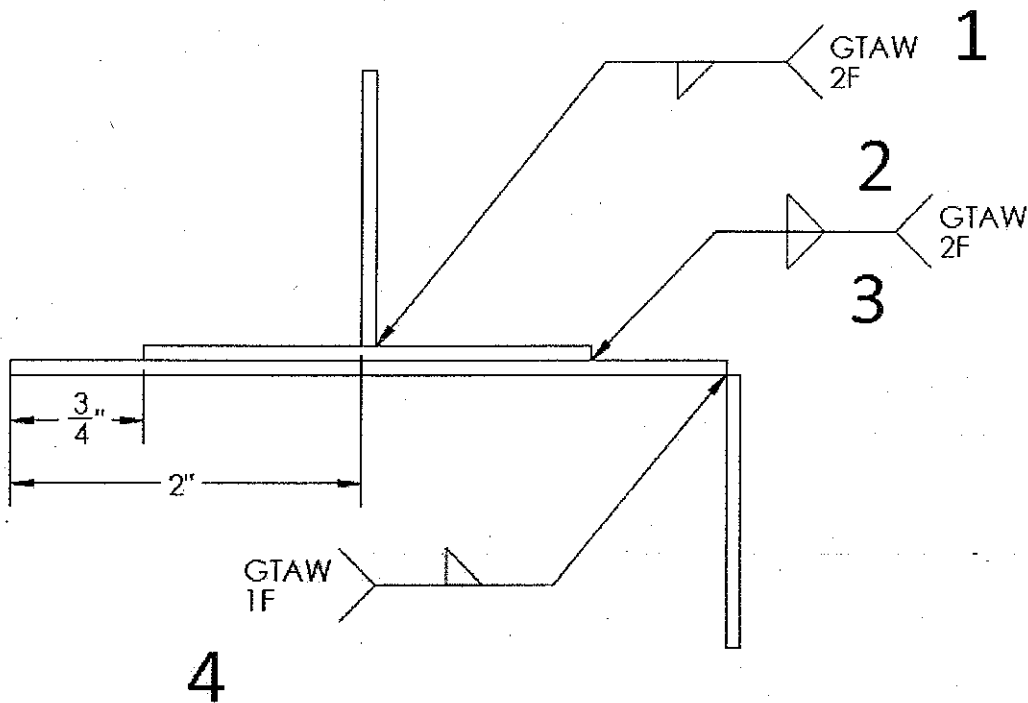
	WELD/PAC	PTS POSSIBLE	
1	GTAW T	15	/25
2	GTAW LAP	16	/25
3	GTAW LAP	16	/25
4	GTAW CORNER	16	/25
	LAYOUT PENALTY		
TOTAL		63	/100 PTS

CONTESTANT NUMBER 1255



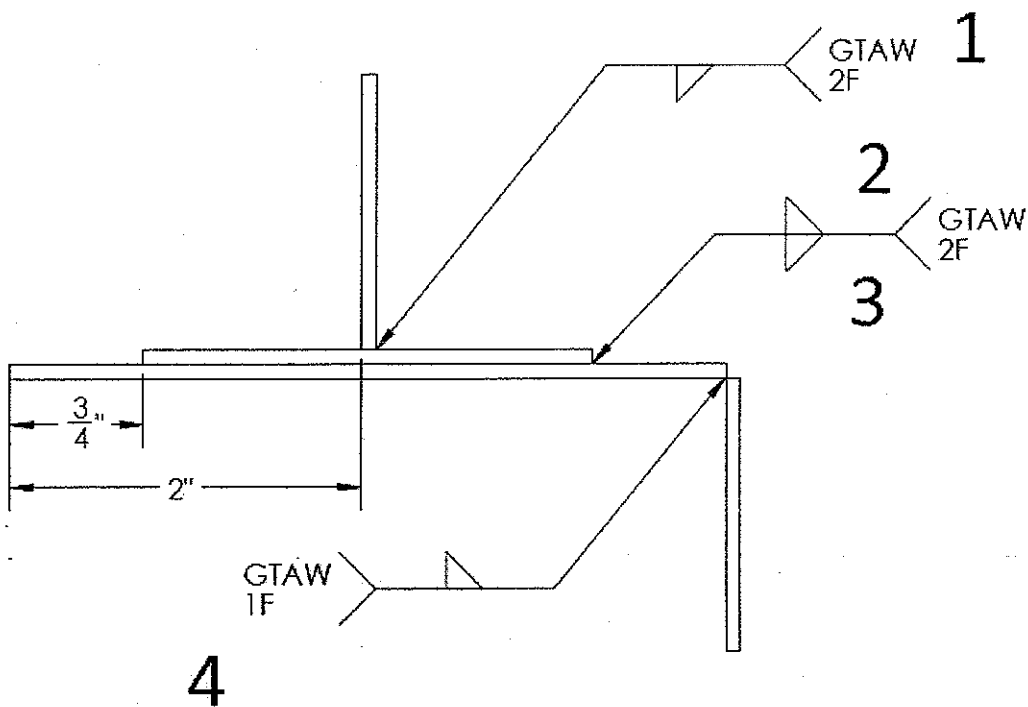
	WELD/PAC	PTS POSSIBLE	
1	GTAW T	18	/25
2	GTAW LAP	17	/25
3	GTAW LAP	16	/25
4	GTAW CORNER	16	/25
	LAYOUT PENALTY		
TOTAL		67	/100 PTS

CONTESTANT NUMBER 1275



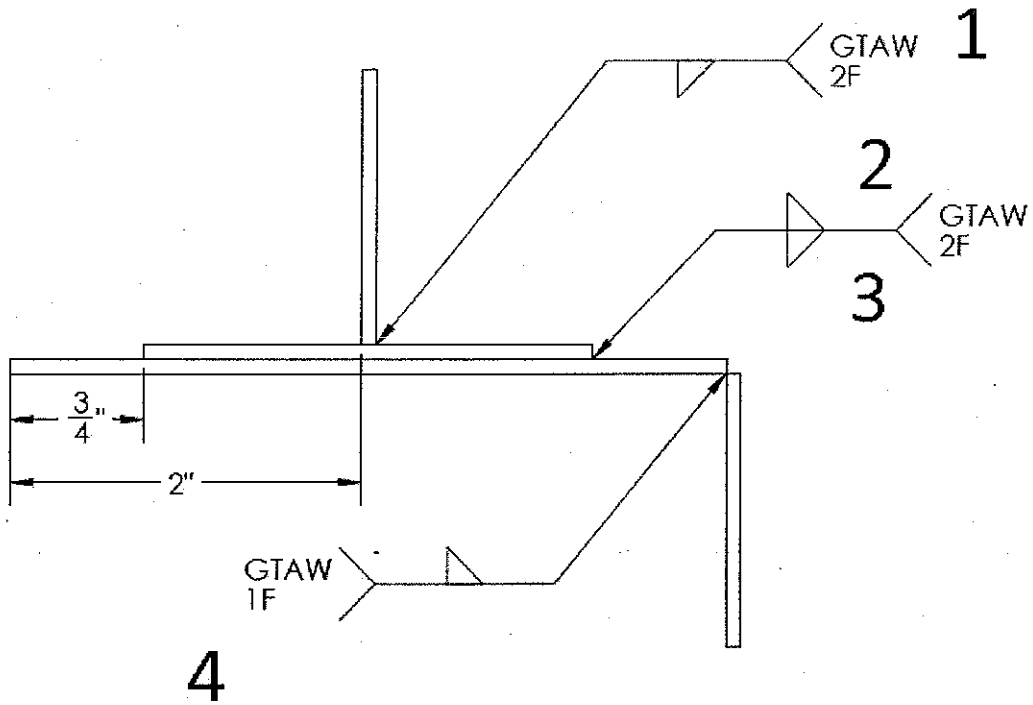
	WELD/PAC	PTS POSSIBLE	
1	GTAW T	17	/25
2	GTAW LAP	18	/25
3	GTAW LAP	17	/25
4	GTAW CORNER	17	/25
	LAYOUT PENALTY		
TOTAL		69	/100 PTS

CONTESTANT NUMBER 1373



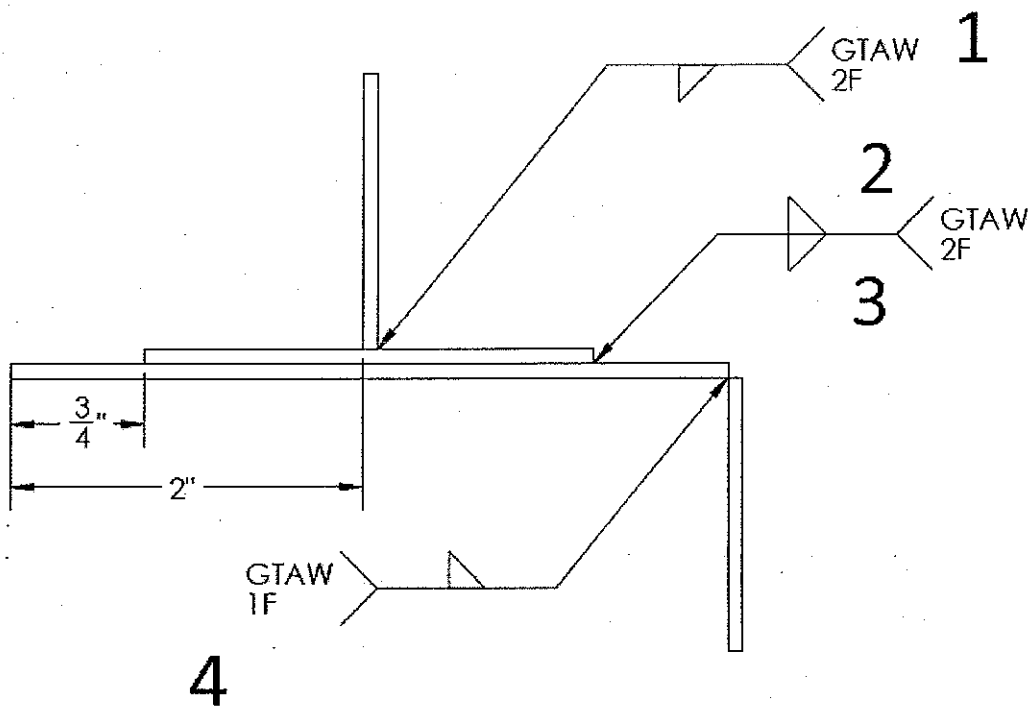
	WELD/PAC	PTS POSSIBLE
1	GTAW T	15 /25
2	GTAW LAP	17 /25
3	GTAW LAP	16 /25
4	GTAW CORNER	16 /25
	LAYOUT PENALTY	
TOTAL		64 /100 PTS

CONTESTANT NUMBER 1397



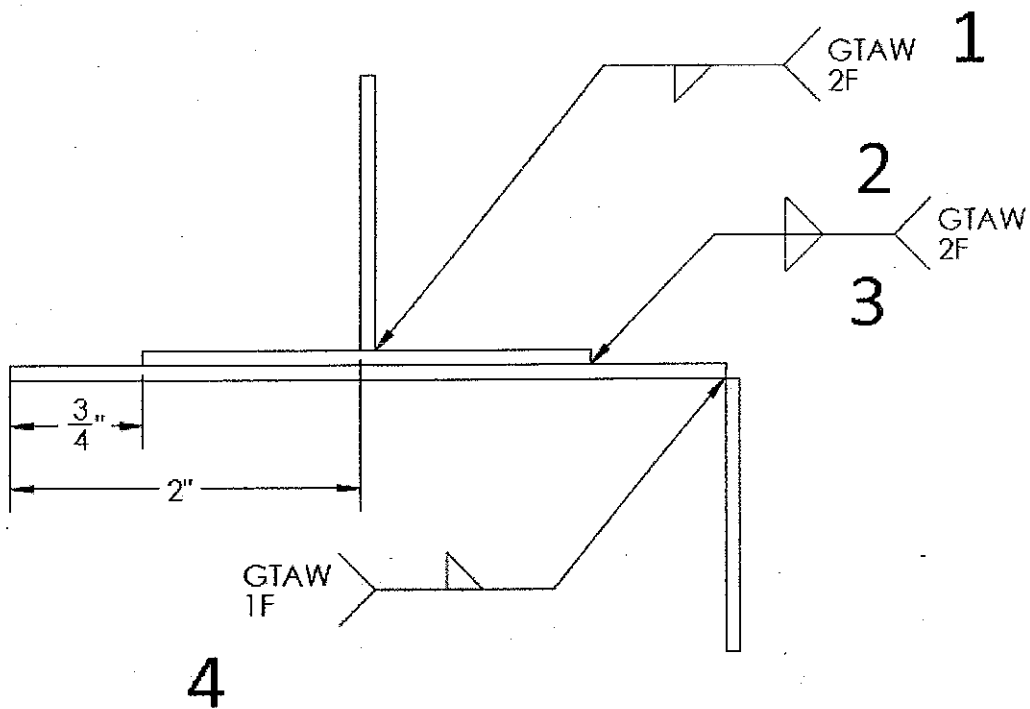
	WELD/PAC	PTS POSSIBLE
1	GTAW T	16 /25
2	GTAW LAP	16 /25
3	GTAW LAP	16 /25
4	GTAW CORNER	16 /25
	LAYOUT PENALTY	3
TOTAL		61 /100 PTS

CONTESTANT NUMBER 1430



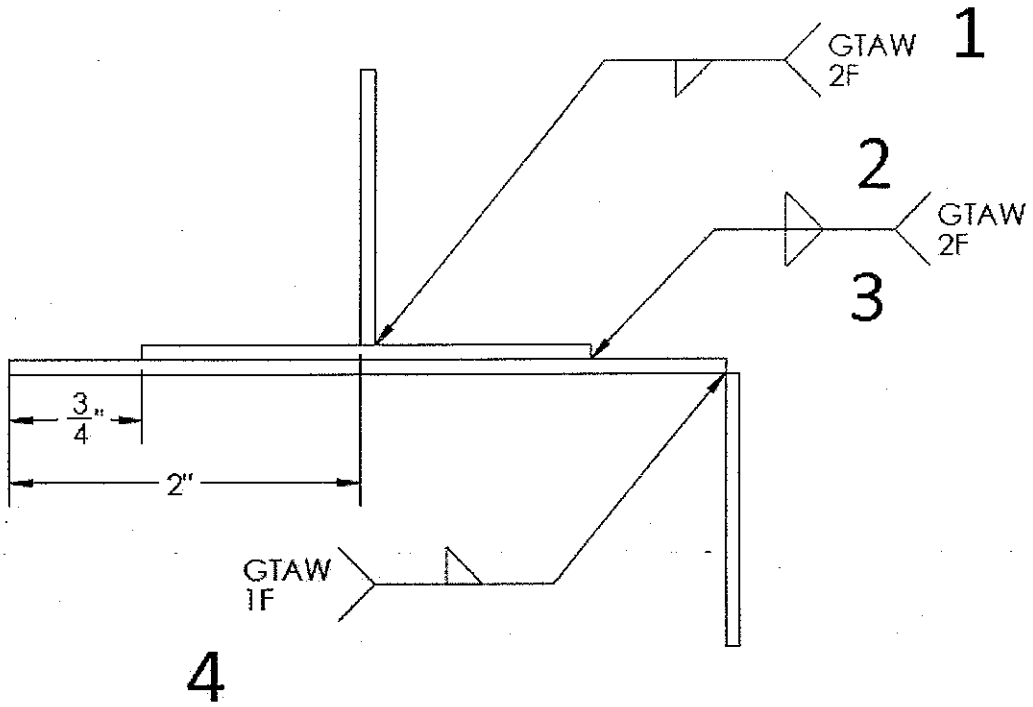
	WELD/PAC	PTS POSSIBLE	
1	GTAW T	13	/25
2	GTAW LAP	13	/25
3	GTAW LAP	12	/25
4	GTAW CORNER	0	/25
	LAYOUT PENALTY		
TOTAL		38	/100 PTS

CONTESTANT NUMBER 1398



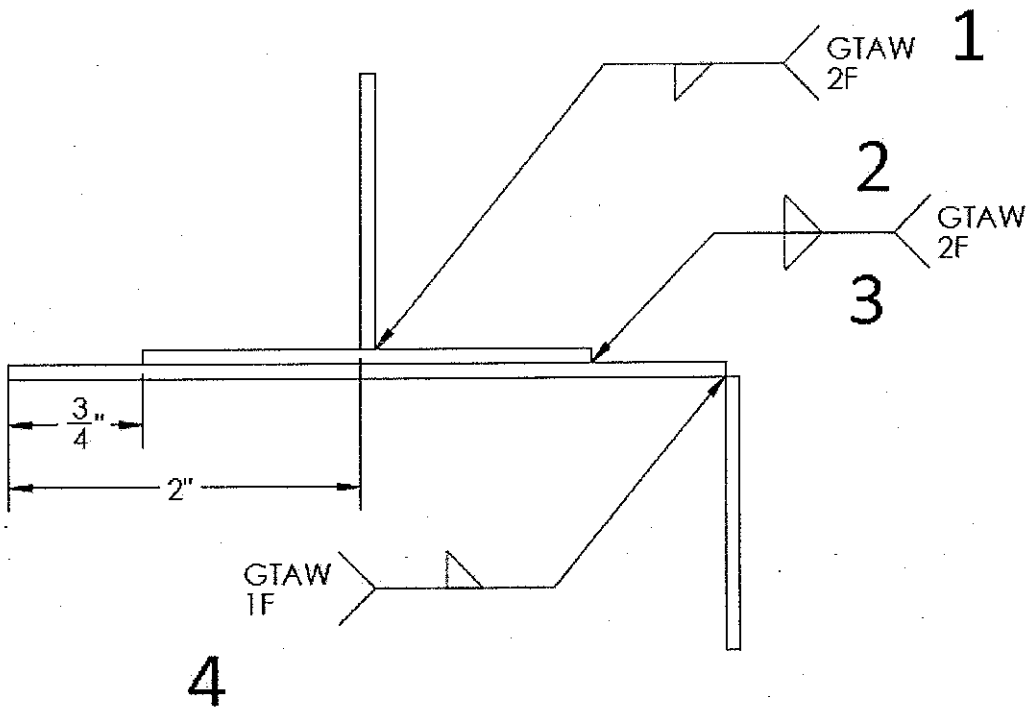
	WELD/PAC	PTS POSSIBLE	
1	GTAW T	18	/25
2	GTAW LAP	17	/25
3	GTAW LAP	17	/25
4	GTAW CORNER	20	/25
	LAYOUT PENALTY		
TOTAL		72	/100 PTS

CONTESTANT NUMBER 1435



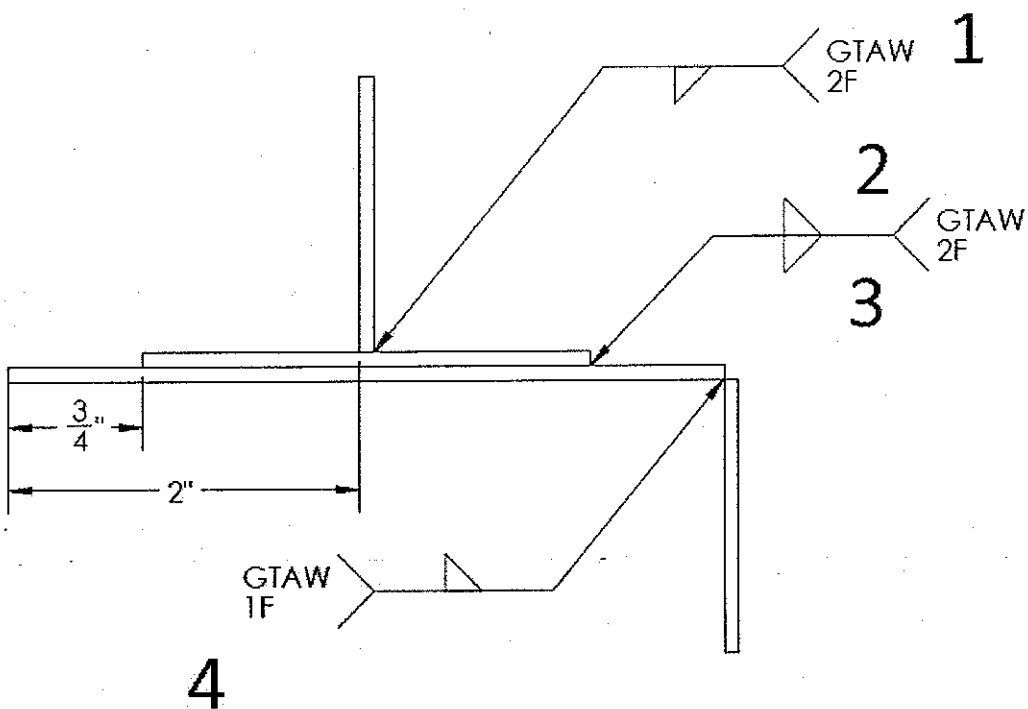
	WELD/PAC	PTS POSSIBLE
1	GTAW T	5 /25
2	GTAW LAP	11 /25
3	GTAW LAP	11 /25
4	GTAW CORNER	12 /25
	LAYOUT PENALTY	0
TOTAL		39 /100 PTS

CONTESTANT NUMBER 1457



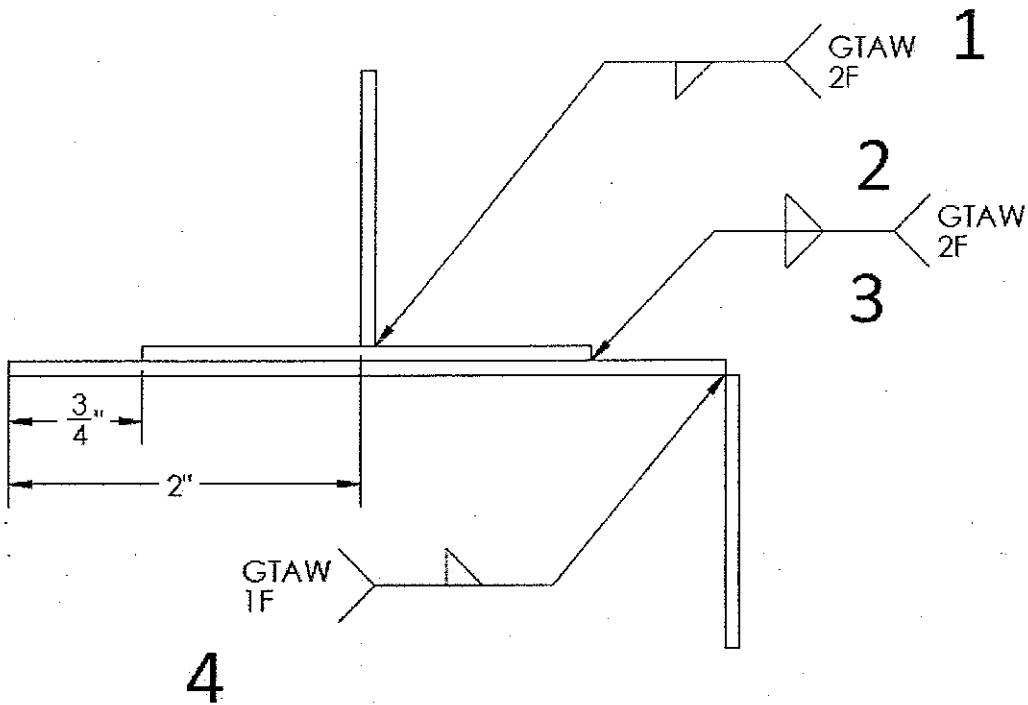
	WELD/PAC	PTS POSSIBLE	
1	GTAW T	17	/25
2	GTAW LAP	16	/25
3	GTAW LAP	15	/25
4	GTAW CORNER	17	/25
	LAYOUT PENALTY		
TOTAL		65	/100 PTS

CONTESTANT NUMBER 1458



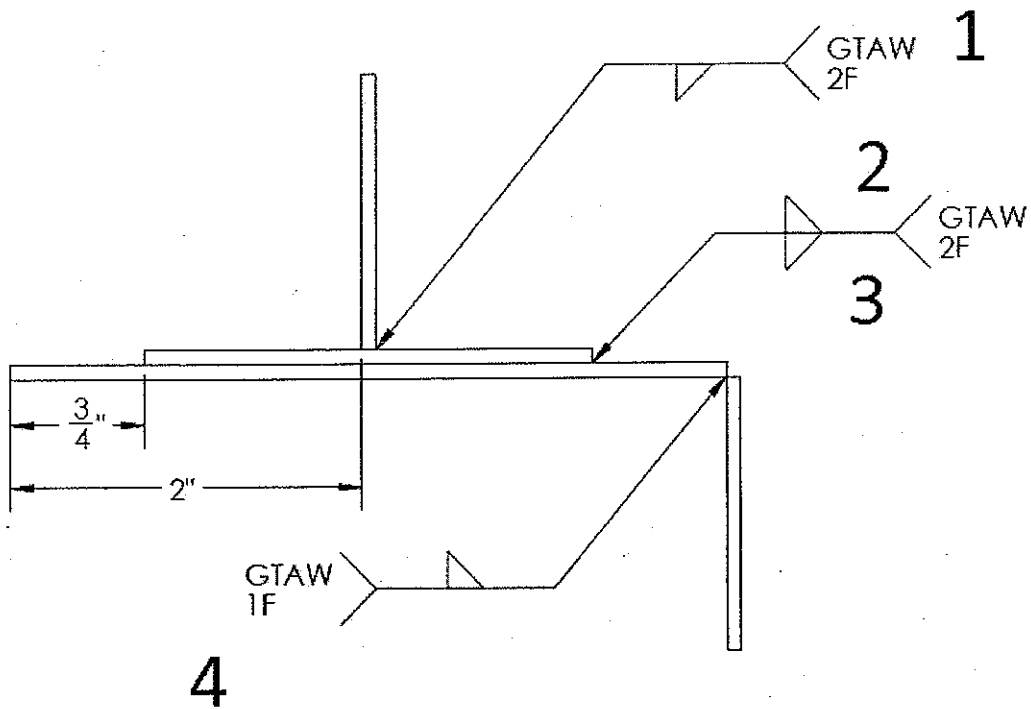
	WELD/PAC	PTS POSSIBLE
1	GTAW T	16 /25
2	GTAW LAP	17 /25
3	GTAW LAP	17 /25
4	GTAW CORNER	14 /25
	LAYOUT PENALTY	
TOTAL		64 /100 PTS

CONTESTANT NUMBER 1473



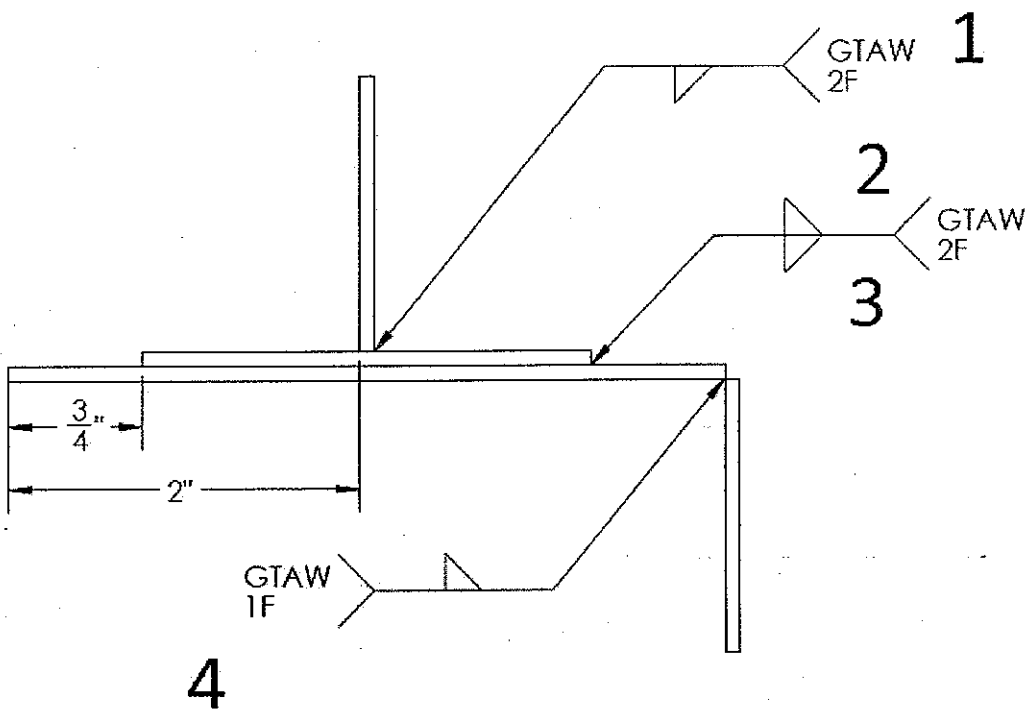
	WELD/PAC	PTS POSSIBLE	
1	GTAW T	16	/25
2	GTAW LAP	20	/25
3	GTAW LAP	18	/25
4	GTAW CORNER	19	/25
	LAYOUT PENALTY		
TOTAL		73	/100 PTS

CONTESTANT NUMBER 1474



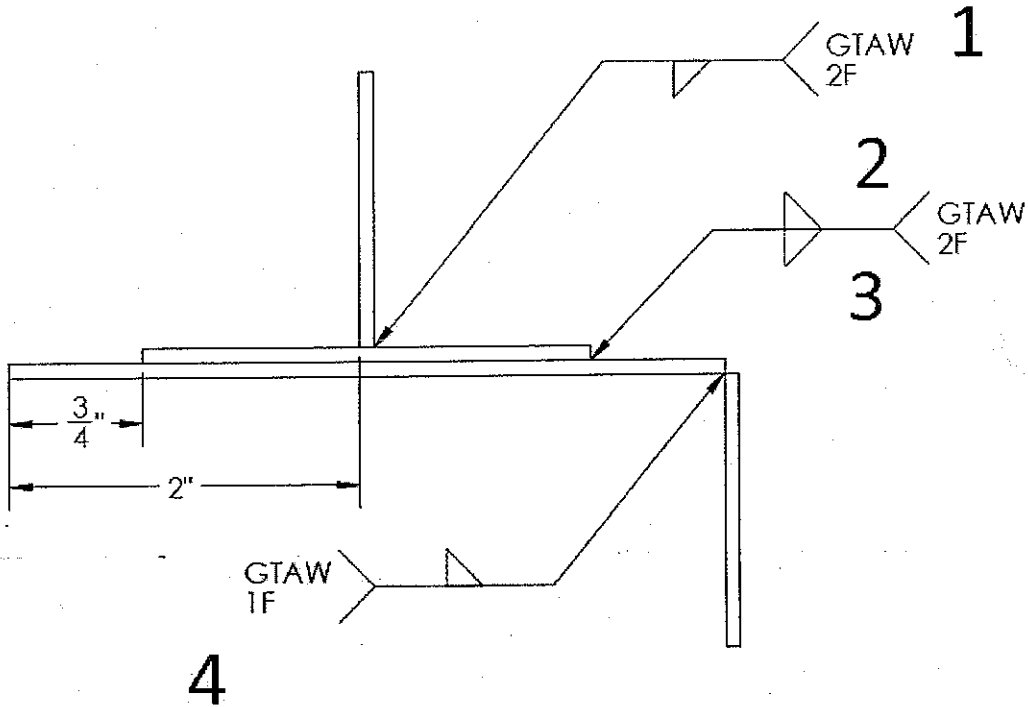
	WELD/PAC	PTS POSSIBLE	
1	GTAW T	16	/25
2	GTAW LAP	17	/25
3	GTAW LAP	17	/25
4	GTAW CORNER	15	/25
	LAYOUT PENALTY		
TOTAL		65	/100 PTS

CONTESTANT NUMBER 1526



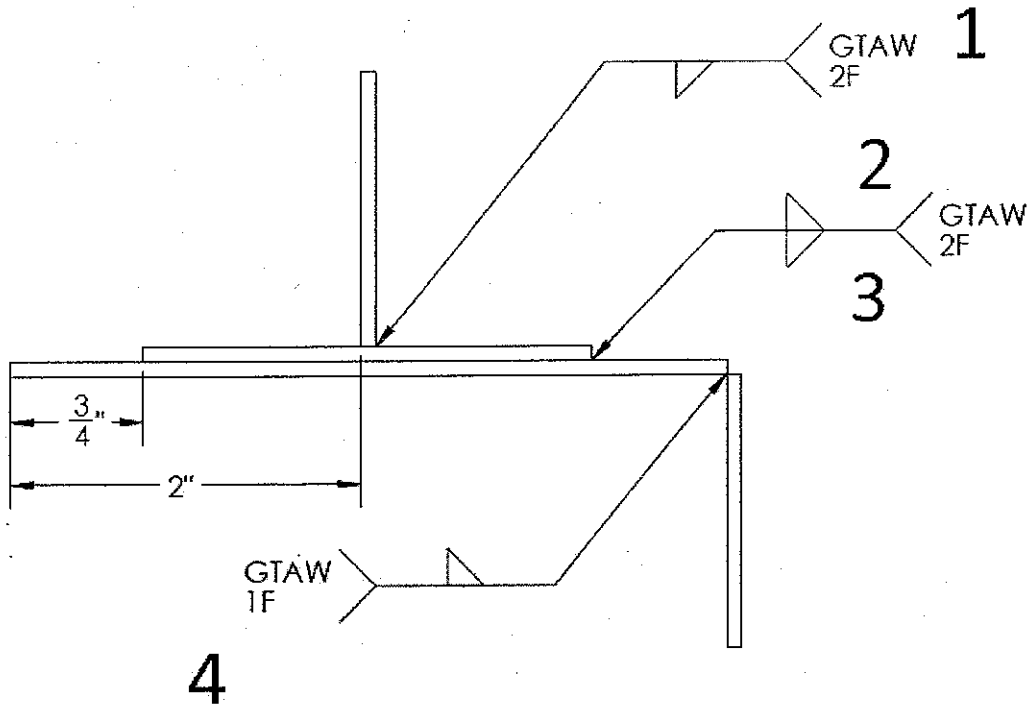
	WELD/PAC	PTS POSSIBLE	
1	GTAW T	17	/25
2	GTAW LAP	18	/25
3	GTAW LAP	16	/25
4	GTAW CORNER	19	/25
	LAYOUT PENALTY		
TOTAL		70	/100 PTS

CONTESTANT NUMBER 1549



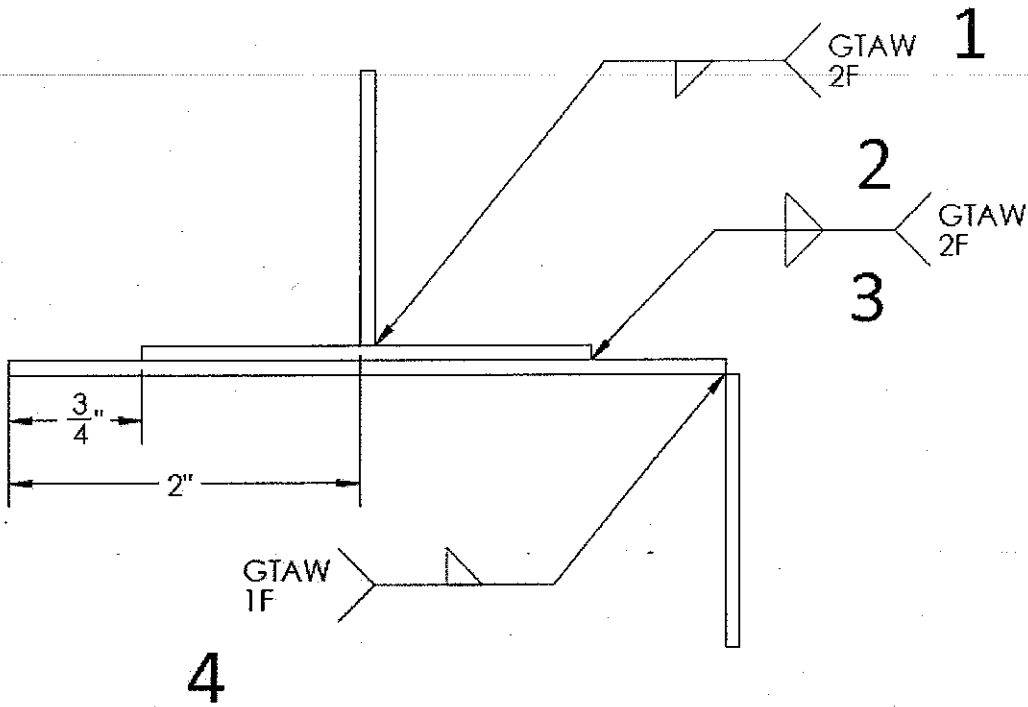
	WELD/PAC	PTS POSSIBLE
1	GTAW T	12 /25
2	GTAW LAP	13 /25
3	GTAW LAP	14 /25
4	GTAW CORNER	15 /25
	LAYOUT PENALTY	
TOTAL		54 /100 PTS

CONTESTANT NUMBER 1590



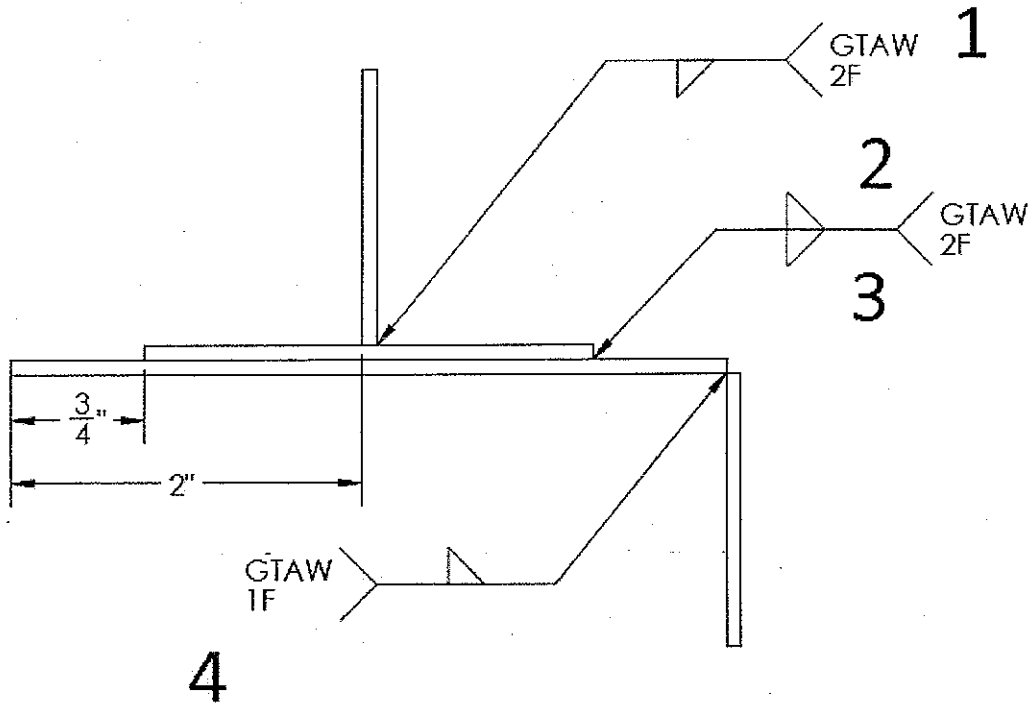
	WELD/PAC	PTS POSSIBLE	
1	GTAW T	17	/25
2	GTAW LAP	17	/25
3	GTAW LAP	16	/25
4	GTAW CORNER	17	/25
	LAYOUT PENALTY		
TOTAL		67	/100 PTS

CONTESTANT NUMBER 1610



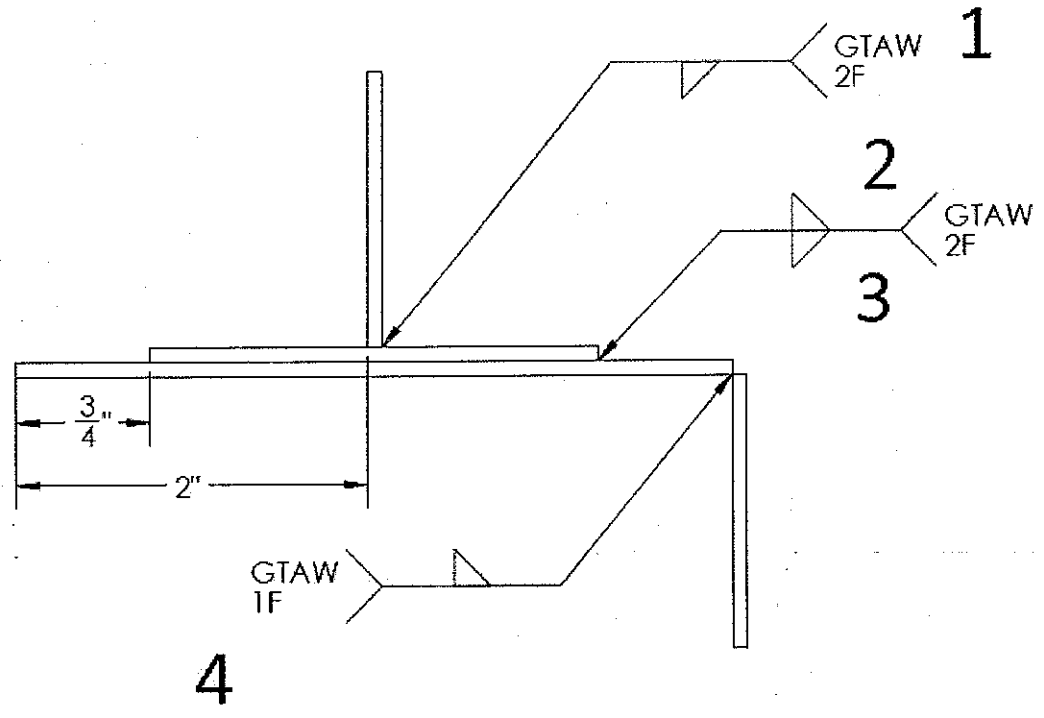
	WELD/PAC	PTS POSSIBLE
1	GTAW T	15 /25
2	GTAW LAP	19 /25
3	GTAW LAP	18 /25
4	GTAW CORNER	19 /25
	LAYOUT PENALTY	
TOTAL		71 /100 PTS

CONTESTANT NUMBER 1663



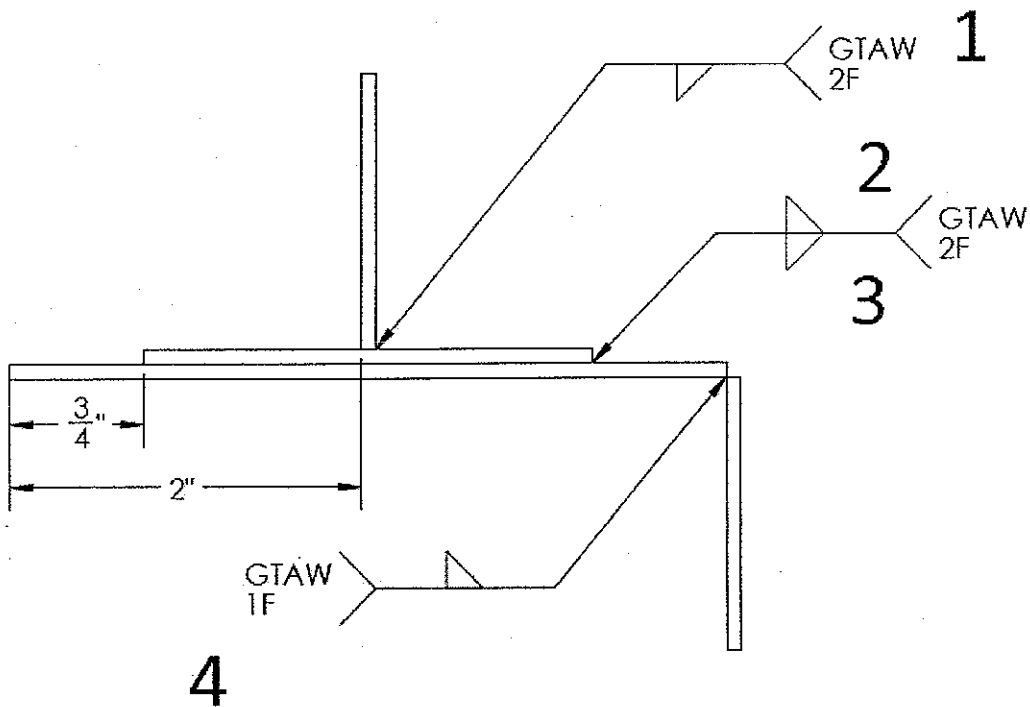
	WELD/PAC	PTS POSSIBLE	
1	GTAW T	15	/25
2	GTAW LAP	14	/25
3	GTAW LAP	15	/25
4	GTAW CORNER	13	/25
	LAYOUT PENALTY		
TOTAL		57	/100 PTS

CONTESTANT NUMBER 1699



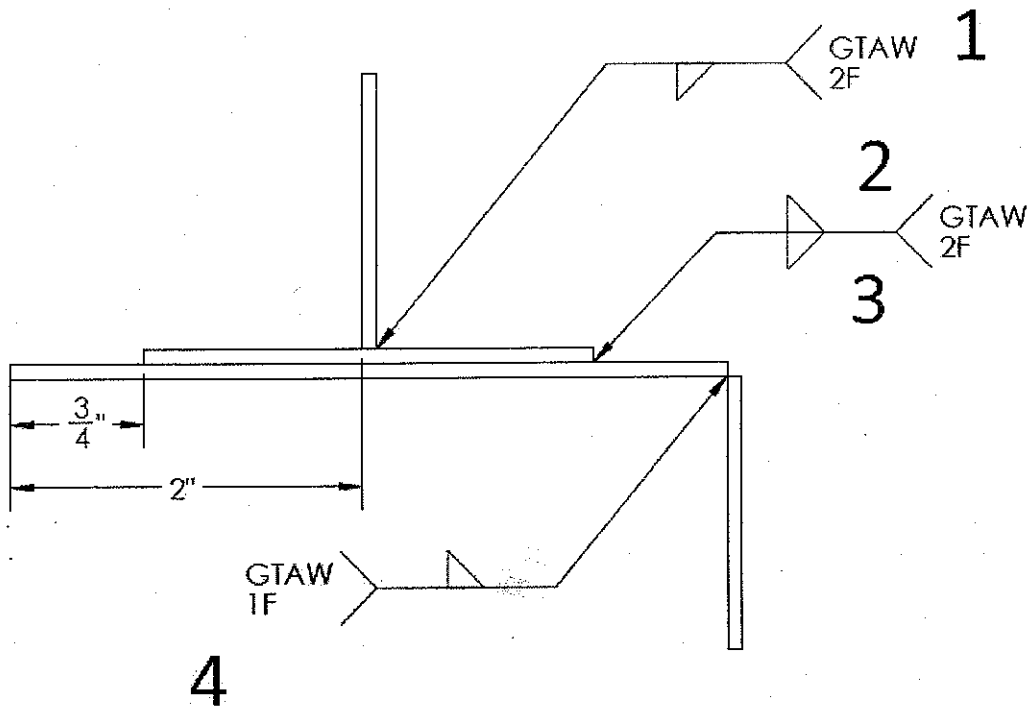
	WELD/PAC	PTS POSSIBLE
1	GTAW T	16 /25
2	GTAW LAP	17 /25
3	GTAW LAP	15 /25
4	GTAW CORNER	14 /25
	LAYOUT PENALTY	
TOTAL		62 /100 PTS

CONTESTANT NUMBER 1801



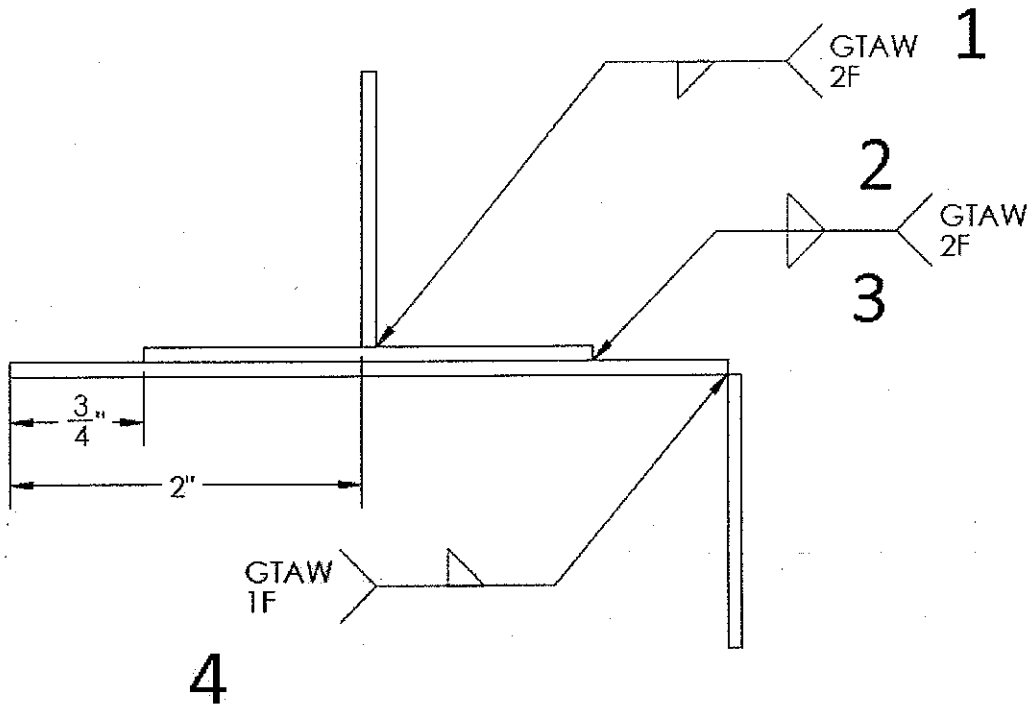
	WELD/PAC	PTS POSSIBLE	
1	GTAW T	14	/25
2	GTAW LAP	17	/25
3	GTAW LAP	17	/25
4	GTAW CORNER	14	/25
	LAYOUT PENALTY		
TOTAL		62	/100 PTS

CONTESTANT NUMBER 1815



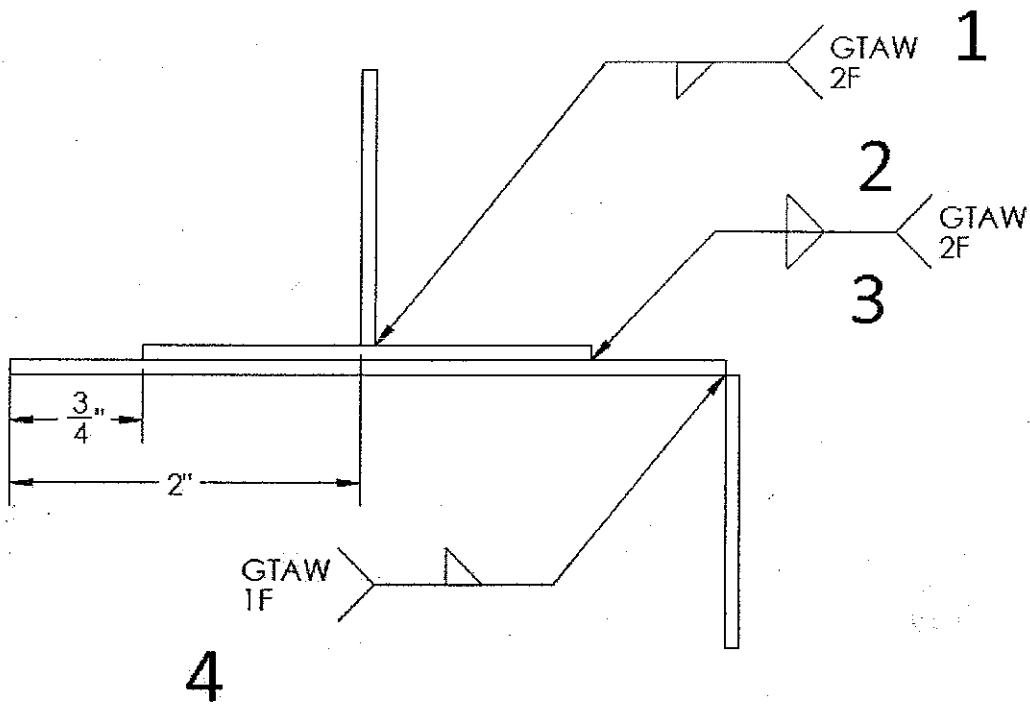
	WELD/PAC	PTS POSSIBLE
1	GTAW T	14 /25
2	GTAW LAP	13 /25
3	GTAW LAP	12 /25
4	GTAW CORNER	13 /25
	LAYOUT PENALTY	
TOTAL		50 /100 PTS

CONTESTANT NUMBER 1924



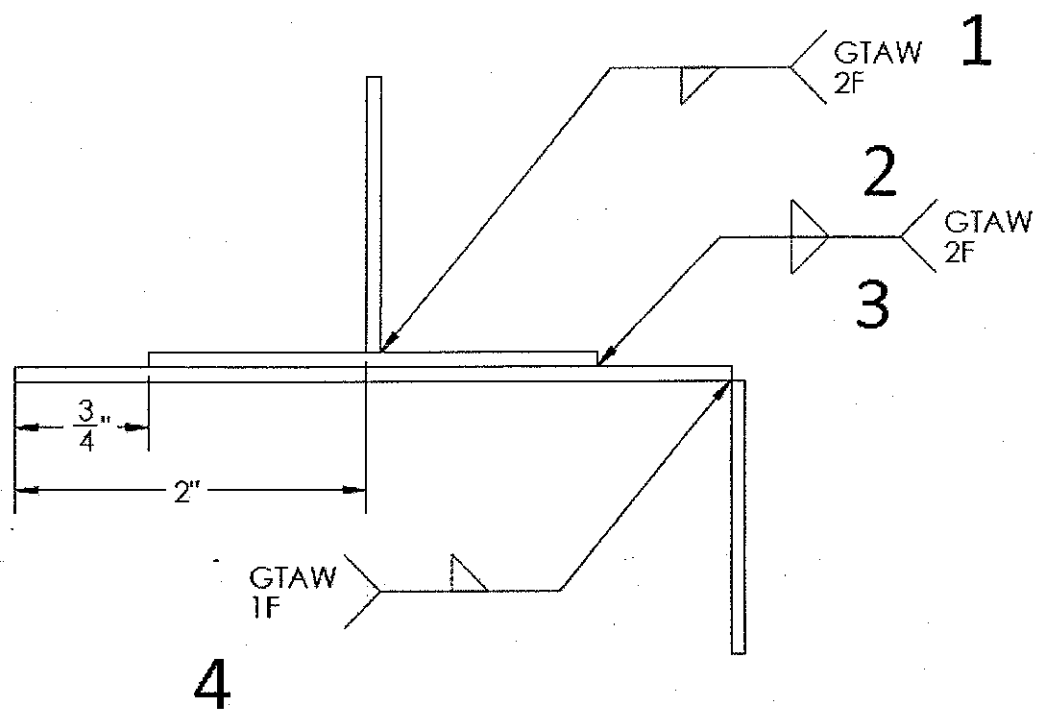
	WELD/PAC	PTS POSSIBLE	
1	GTAW T	18	/25
2	GTAW LAP	18	/25
3	GTAW LAP	18	/25
4	GTAW CORNER	17	/25
	LAYOUT PENALTY		
TOTAL		71	/100 PTS

CONTESTANT NUMBER 1965



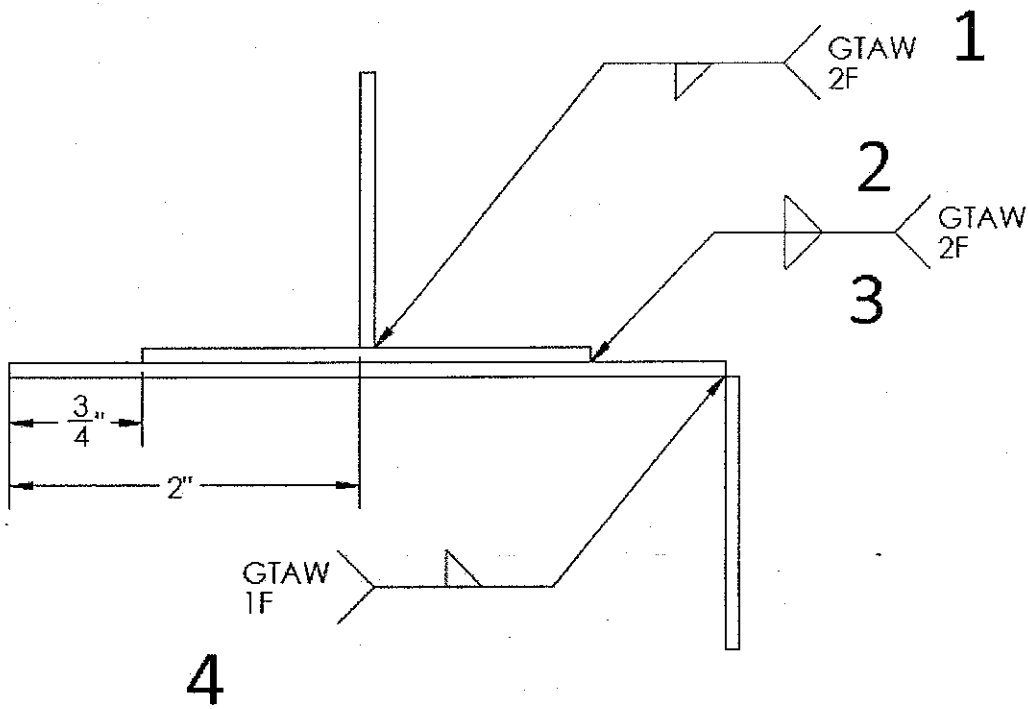
	WELD/PAC	PTS POSSIBLE
1	GTAW T	2 /25
2	GTAW LAP	2 /25
3	GTAW LAP	2 /25
4	GTAW CORNER	0 /25
	LAYOUT PENALTY	
TOTAL		6 /100 PTS

CONTESTANT NUMBER 2016



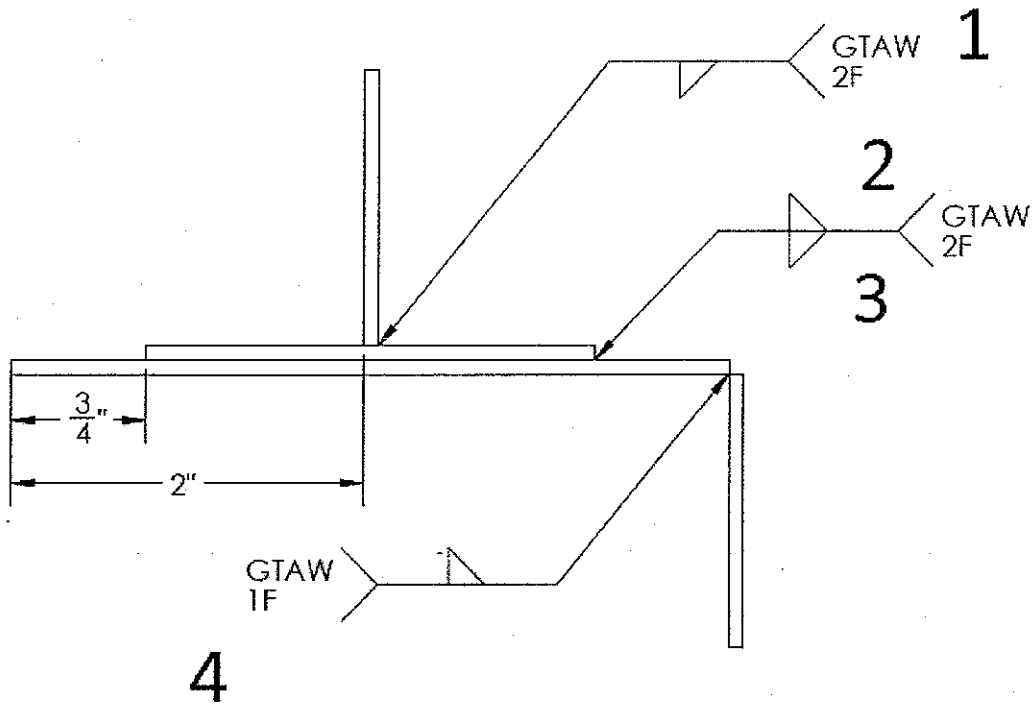
	WELD/PAC	PTS POSSIBLE	
1	GTAW T	17	/25
2	GTAW LAP	17	/25
3	GTAW LAP	18	/25
4	GTAW CORNER	18	/25
	LAYOUT PENALTY	70	
TOTAL		70	/100 PTS

CONTESTANT NUMBER 2017



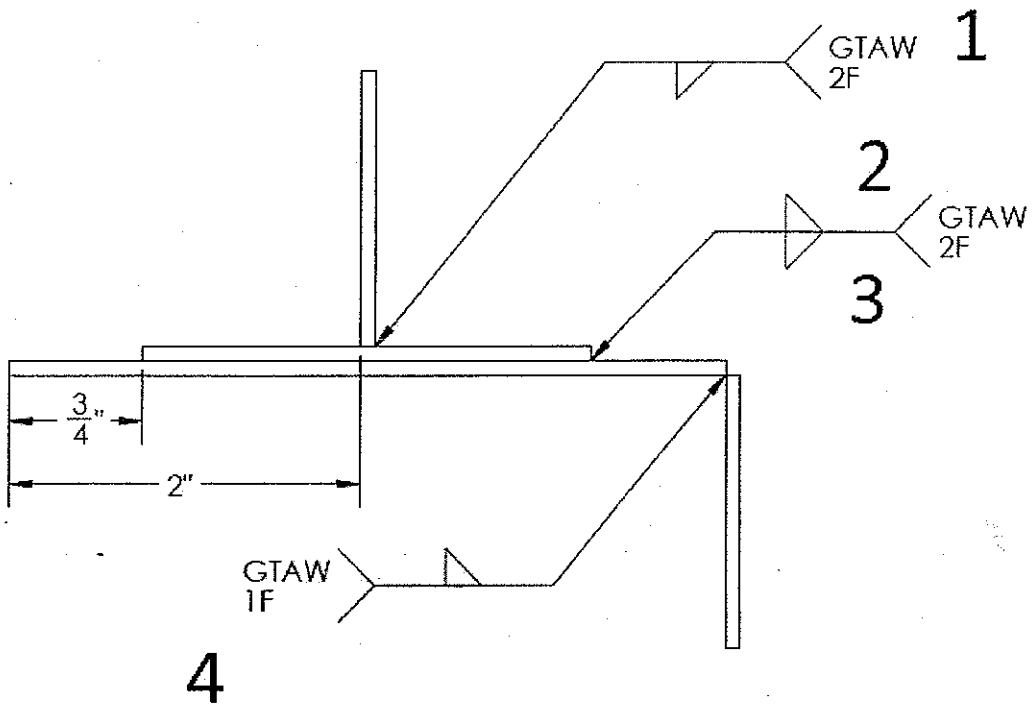
	WELD/PAC	PTS POSSIBLE	
1	GTAW T	13	/25
2	GTAW LAP	15	/25
3	GTAW LAP	14	/25
4	GTAW CORNER	15	/25
	LAYOUT PENALTY		
TOTAL		57	/100 PTS

CONTESTANT NUMBER 2059



	WELD/PAC	PTS POSSIBLE	
1	GTAW T	7	/25
2	GTAW LAP	10	/25
3	GTAW LAP	10	/25
4	GTAW CORNER	0	/25
	LAYOUT PENALTY		
TOTAL		27	/100 PTS

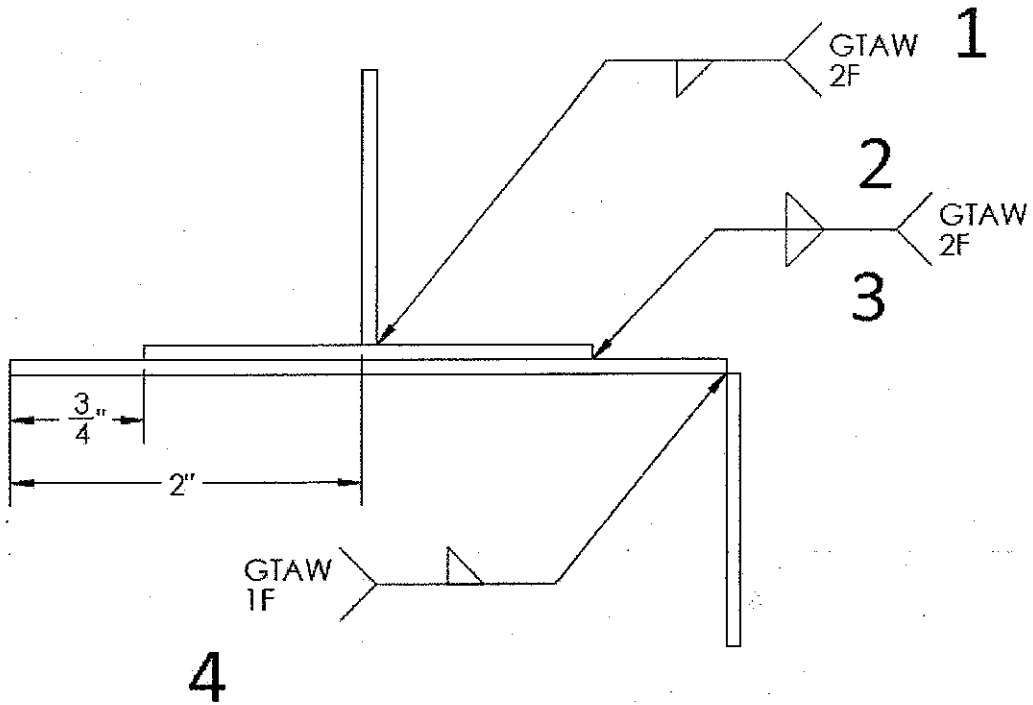
CONTESTANT NUMBER 2102



	WELD/PAC	PTS POSSIBLE
1	GTAW T	20 /25
2	GTAW LAP	21 /25
3	GTAW LAP	22 /25
4	GTAW CORNER	20 /25
	LAYOUT PENALTY	
TOTAL		83 /100 PTS

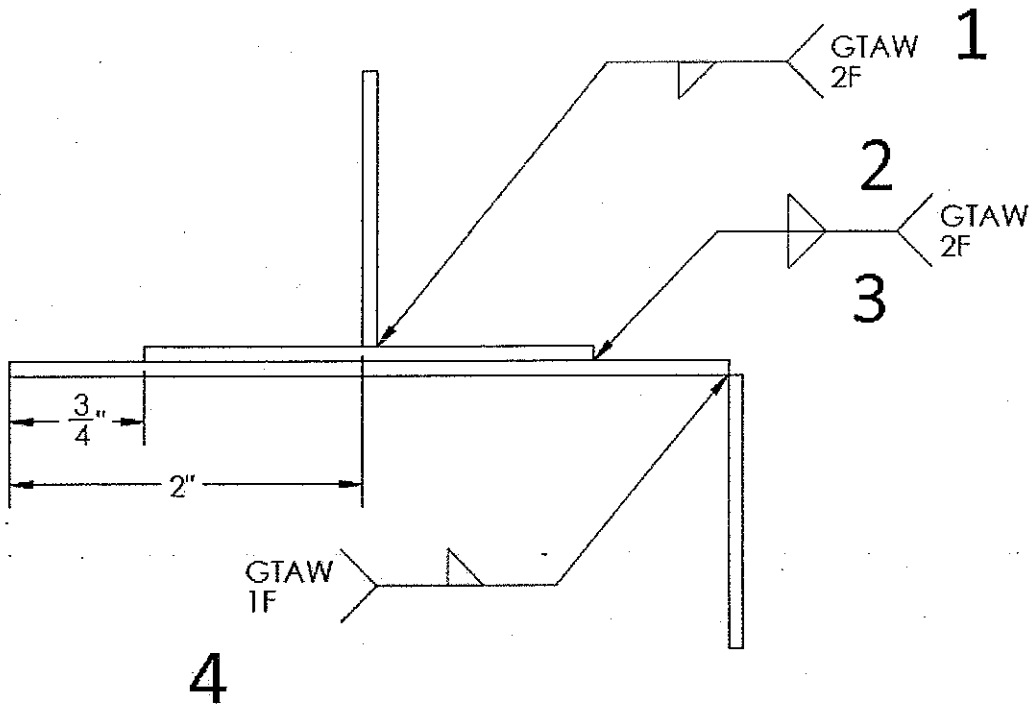


CONTESTANT NUMBER 2123



	WELD/PAC	PTS POSSIBLE	
1	GTAW T	14	/25
2	GTAW LAP	0	/25
3	GTAW LAP	14	/25
4	GTAW CORNER	15	/25
	LAYOUT PENALTY		
TOTAL		43	/100 PTS

CONTESTANT NUMBER 2202



	WELD/PAC	PTS POSSIBLE	
1	GTAW T	18	/25
2	GTAW LAP	17	/25
3	GTAW LAP	17	/25
4	GTAW CORNER	16	/25
	LAYOUT PENALTY		
TOTAL		68	/100 PTS