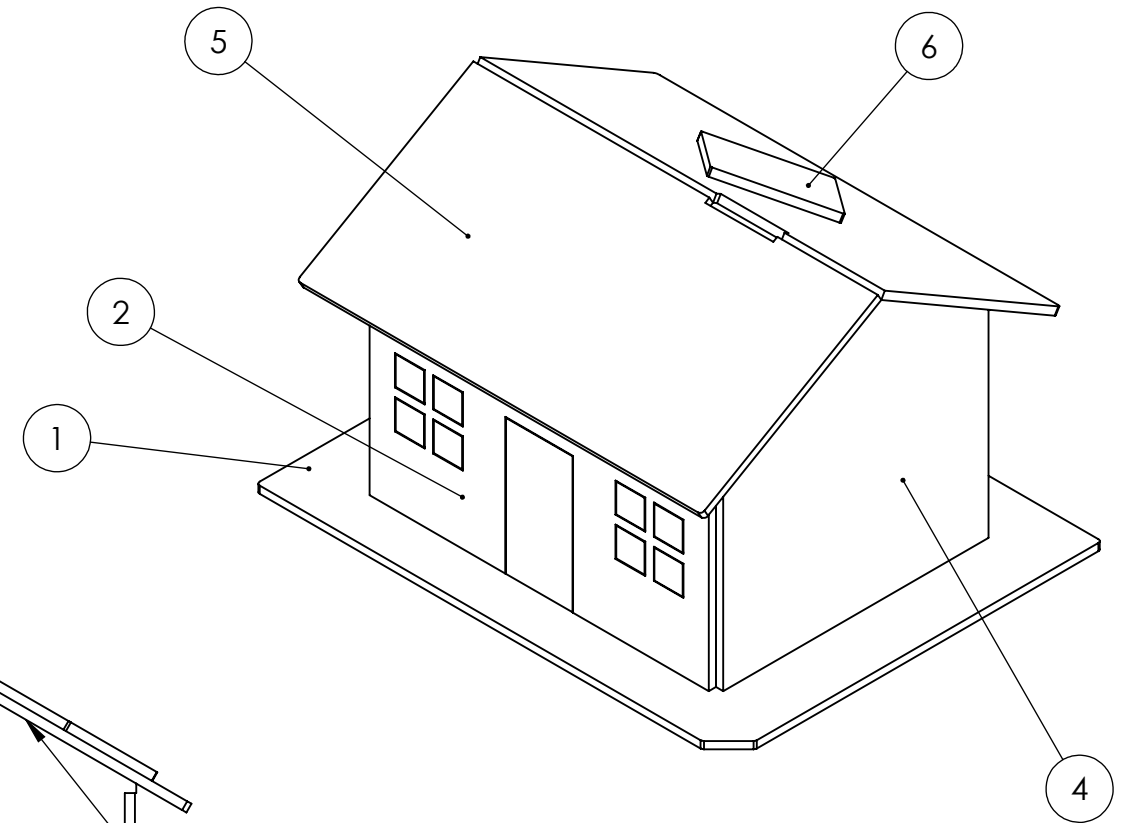
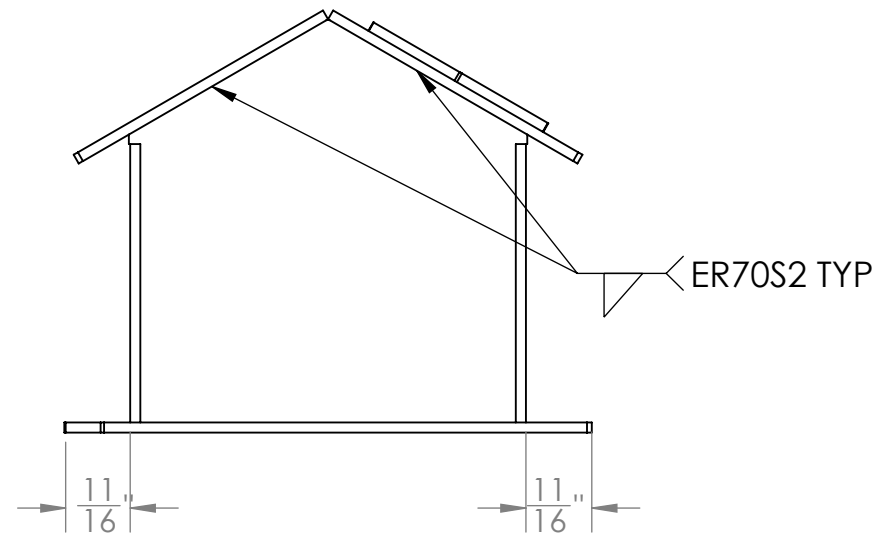
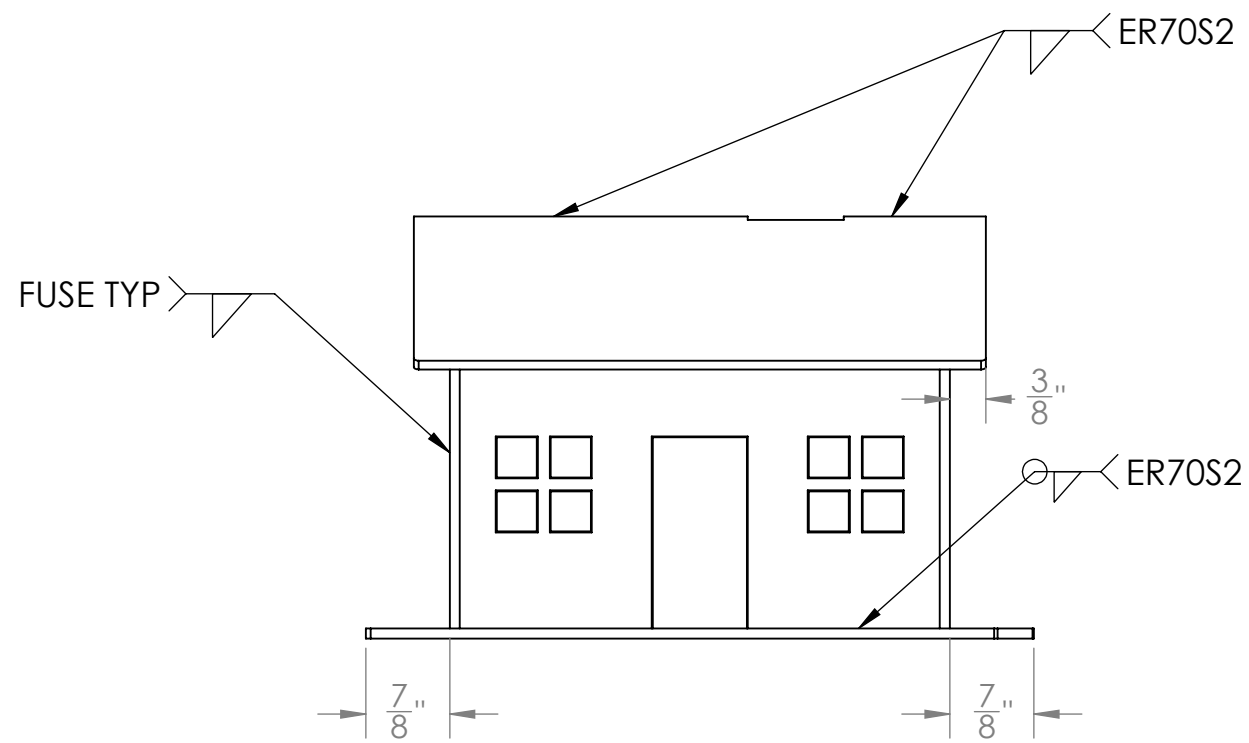
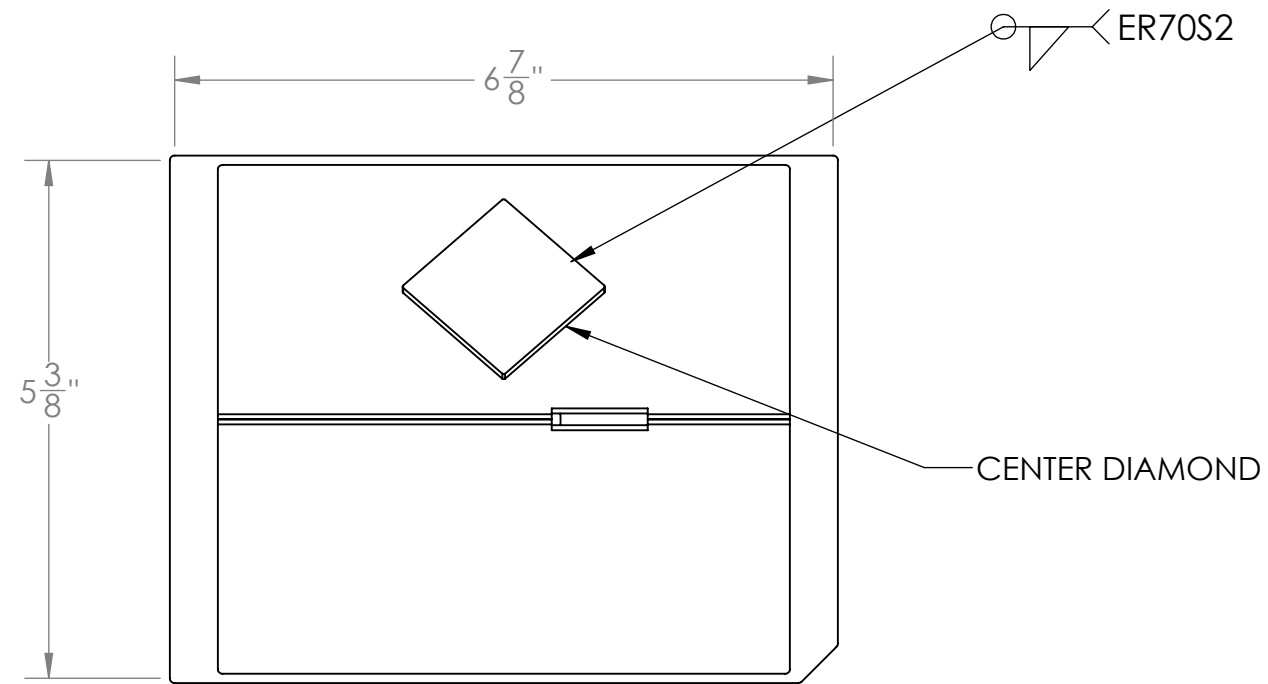


ITEM NO.	PART NUMBER	DESCRIPTION	QTY.
1	TIG A	5.5 x 7 12 GA	1
2	TIG B	5 x 3 12 GA	1
3	TIG C	5 x 3 12 GA	1
4	TIG D	4.2 x 4.15 12 GA	2
5	TIG E	6 x 3 12 GA	2
6	1.5 SQ	1.5 x 1.5 12 GA	1



REVISION	DESCRIPTION	DATE	BY

UNLESS OTHERWISE SPECIFIED:
 DIMENSIONS ARE IN INCHES.
 TOLERANCES:
 ANGULAR: ±1/2°
 ONE PLACE DECIMAL ±.1
 TWO PLACE DECIMAL ±.06
 THREE PLACE DECIMAL ±.030

SCALE 1:2
 DO NOT SCALE DRAWING
 SHEET: 1 OF 2

MATERIAL:	TITLE:	REV.
DWG. NO. GTAW TEST		