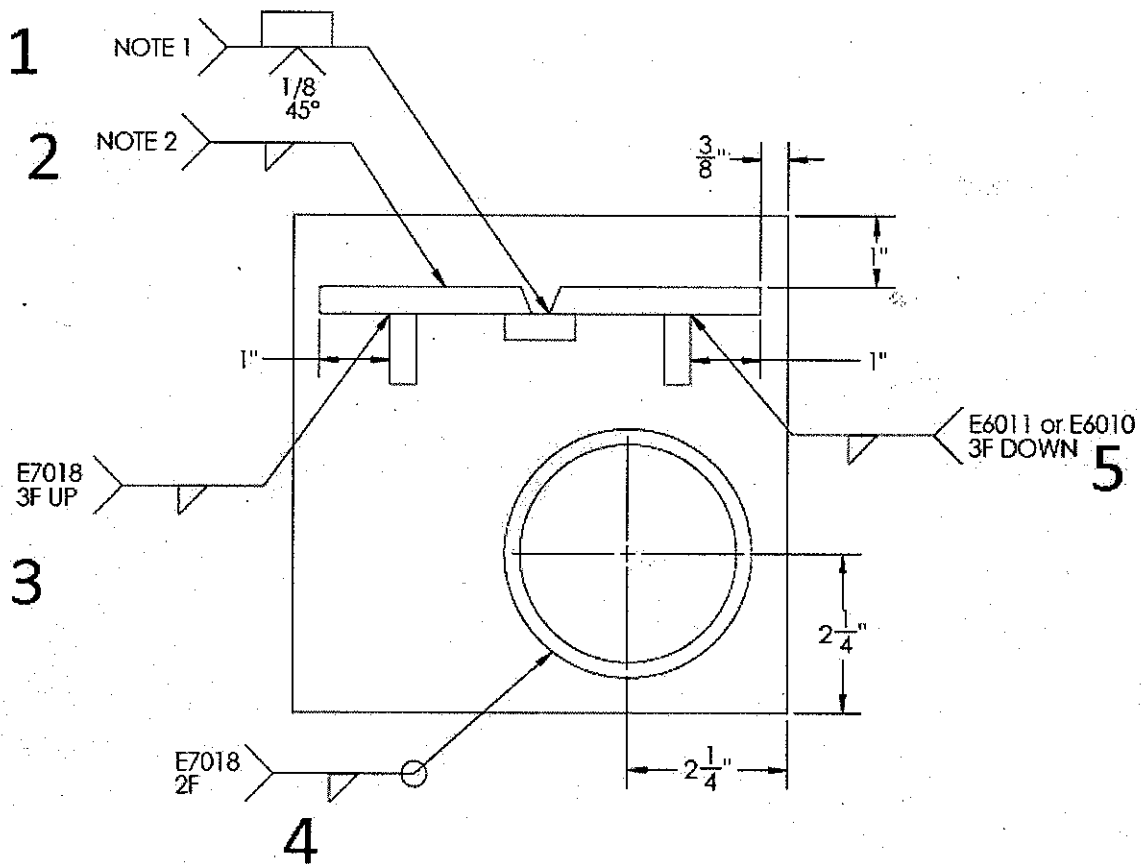
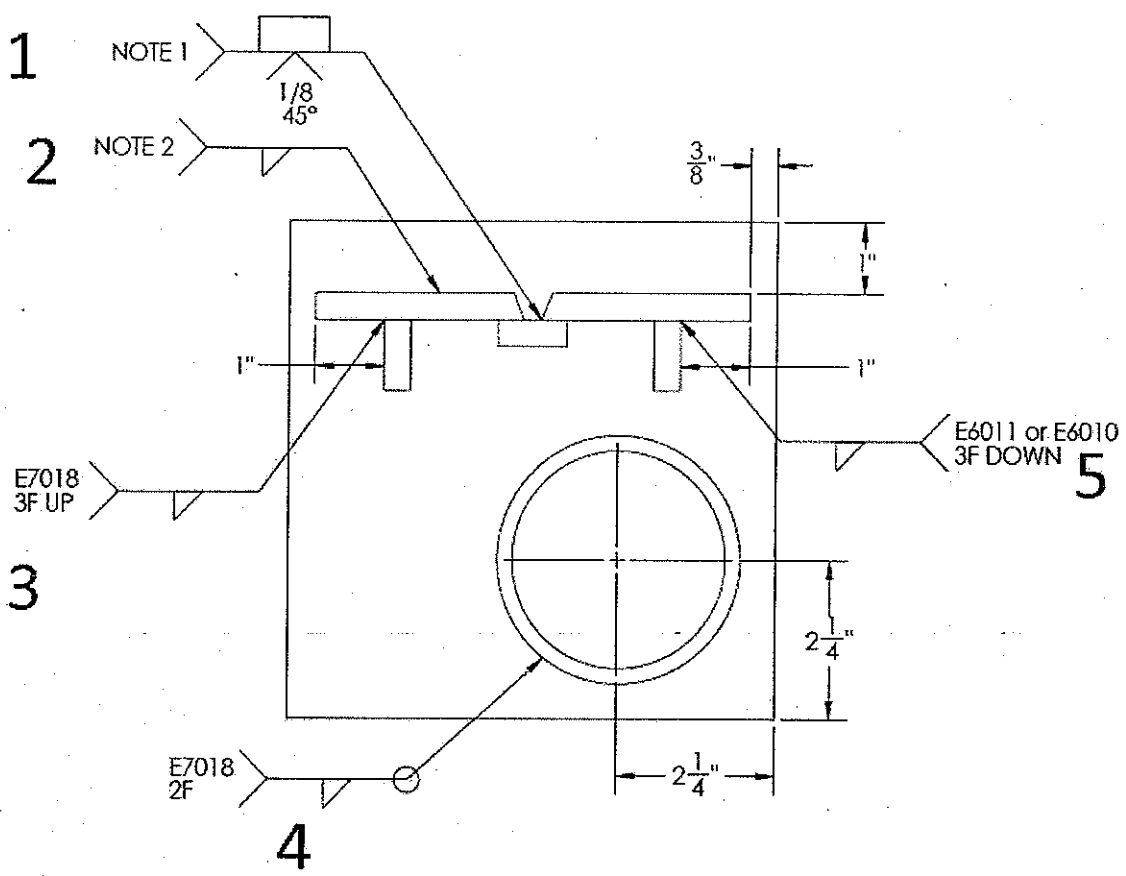


CONTESTANT NUMBER 1022



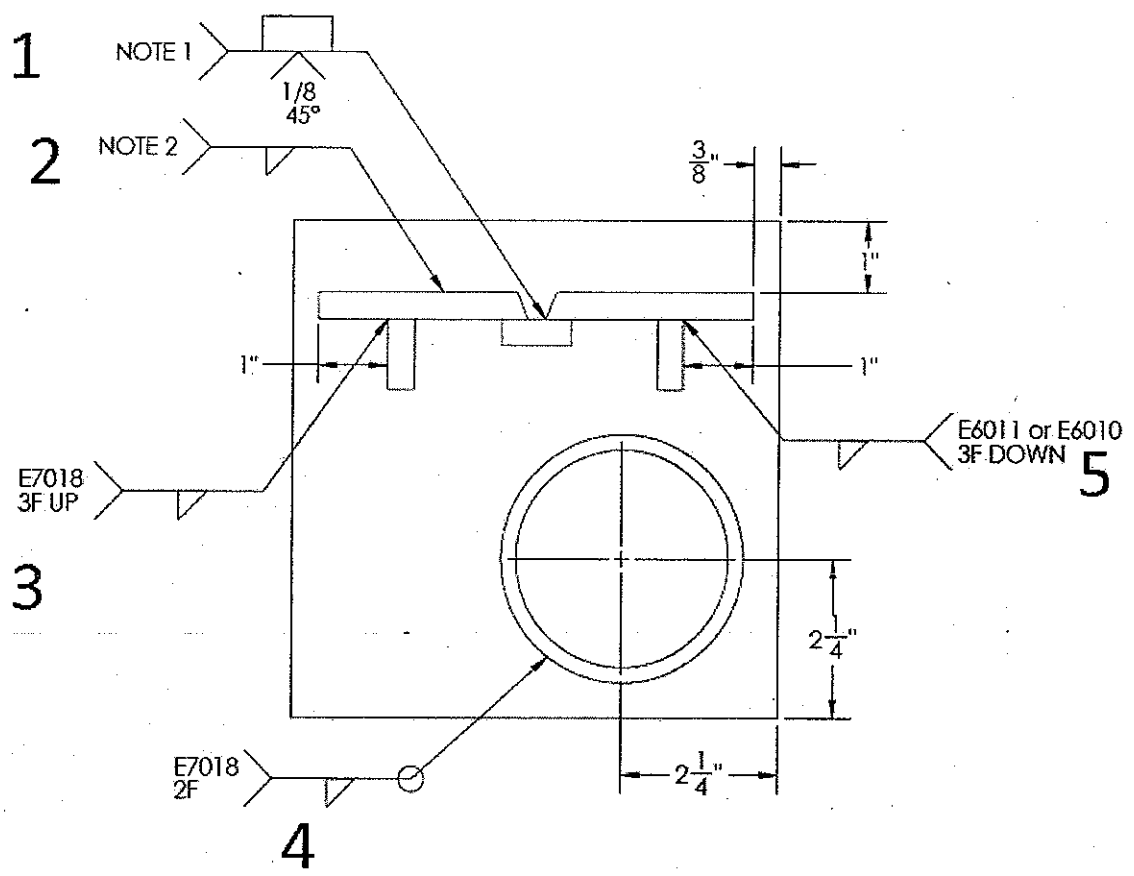
	WELD/PAC	PTS POSSIBLE
1	E7018 MULTIPASS GROOVE	15 /30
2	E6013 MULTIPASS FILLET	15 /20
3	E7018 VERTICAL UP	20 /25
4	E7018 PIPE	6 /10
5	E6011 / 10 DOWN	10 /15
	LAYOUT PENALTY	4
TOTAL		62 /100 PTS

CONTESTANT NUMBER 1029



	WELD/PAC	PTS POSSIBLE
1	E7018 MULTIPASS GROOVE	5 /30
2	E6013 MULTIPASS FILLET	0 /20
3	E7018 VERTICAL UP	3 /25
4	E7018 PIPE	2 /10
5	E6011 / 10 DOWN	1 /15
	LAYOUT PENALTY	4
TOTAL		7 /100 PTS

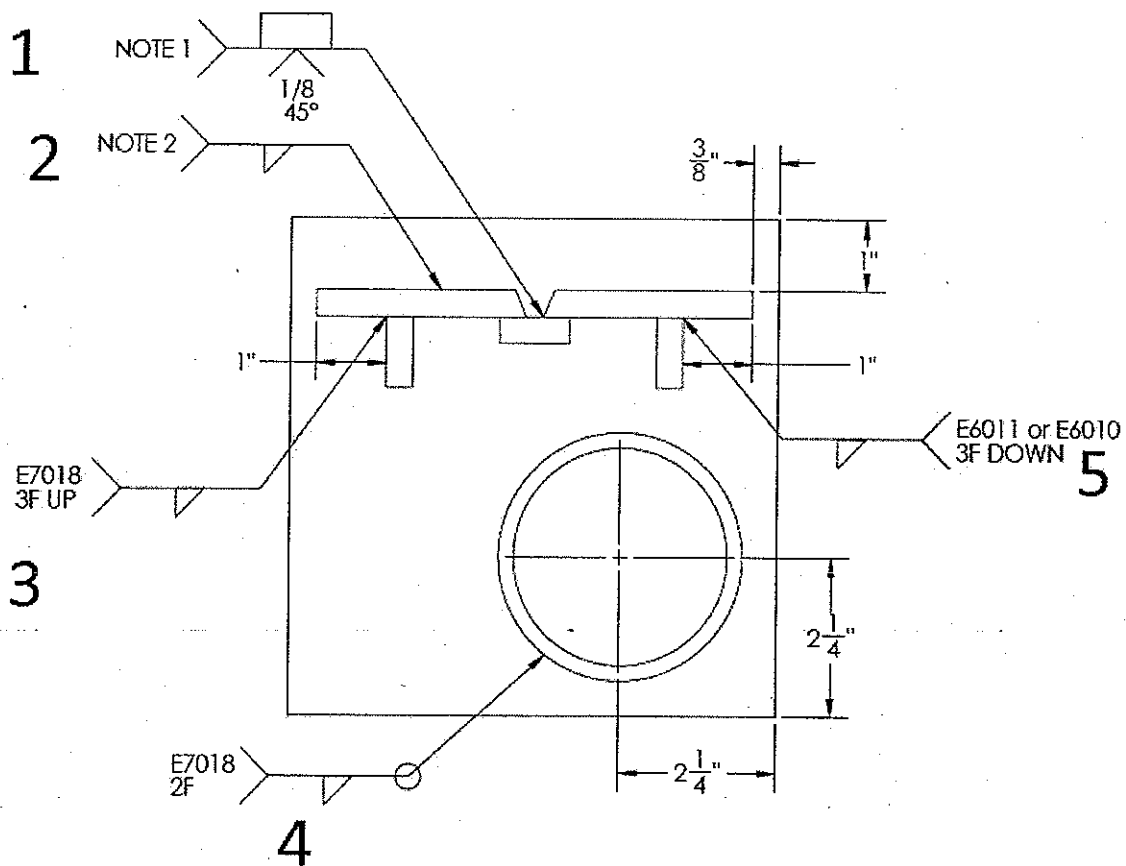
CONTESTANT NUMBER 1033



	WELD/PAC	PTS POSSIBLE
1	E7018 MULTIPASS GROOVE	23 /30
2	E6013 MULTIPASS FILLET	12 /20
3	E7018 VERTICAL UP	18 /25
4	E7018 PIPE	7 /10
5	E6011 / 10 DOWN	13 /15
	LAYOUT PENALTY	4
TOTAL		69 /100 PTS

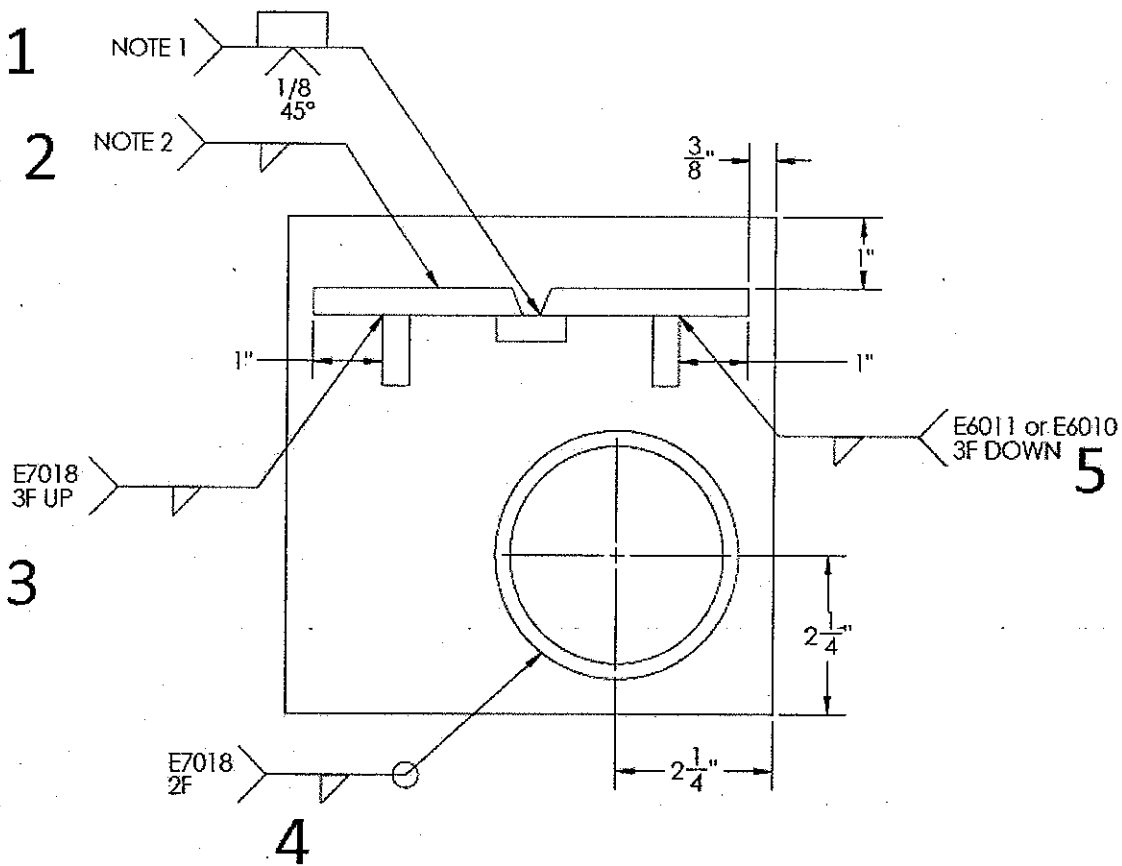


CONTESTANT NUMBER 1035



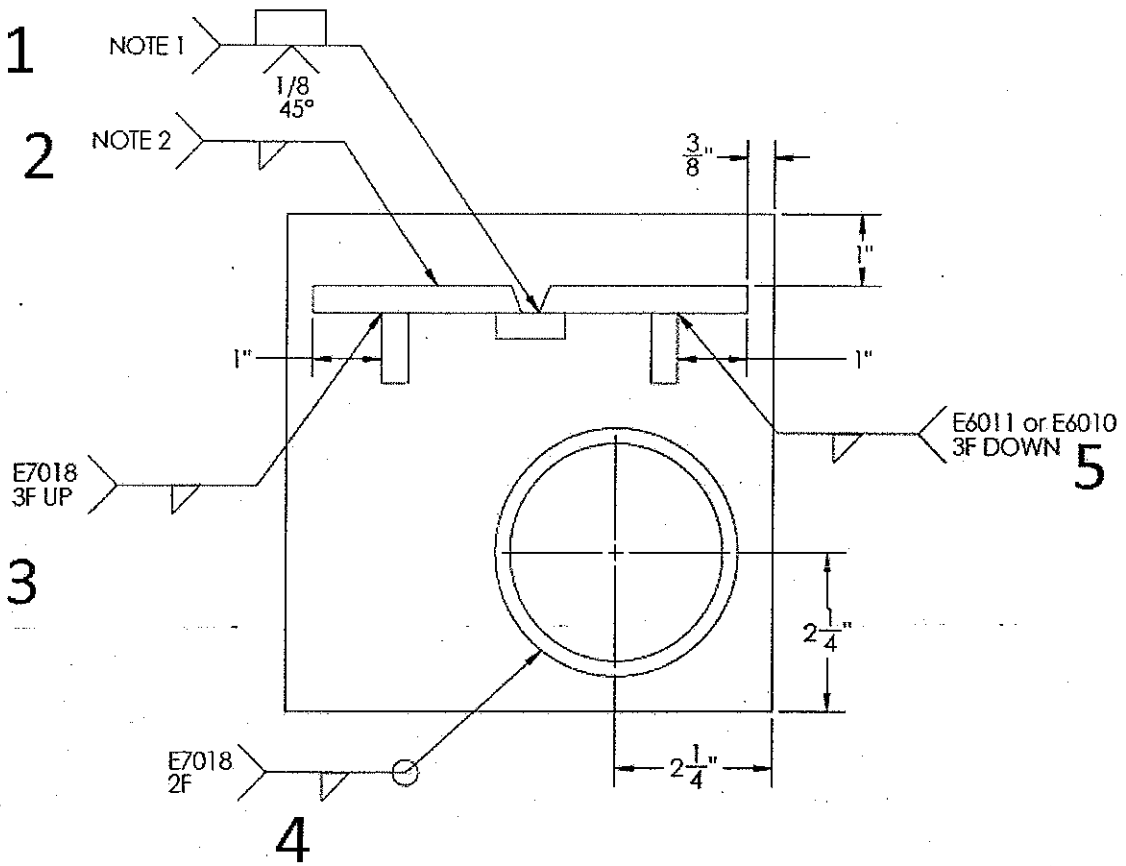
	WELD/PAC	PTS POSSIBLE
1	E7018 MULTIPASS GROOVE	5 /30
2	E6013 MULTIPASS FILLET	7 /20
3	E7018 VERTICAL UP	8/2 /25
4	E7018 PIPE	5 /10
5	E6011 / 10 DOWN	11 /15
	LAYOUT PENALTY	1
TOTAL		39 /100 PTS

CONTESTANT NUMBER 1046



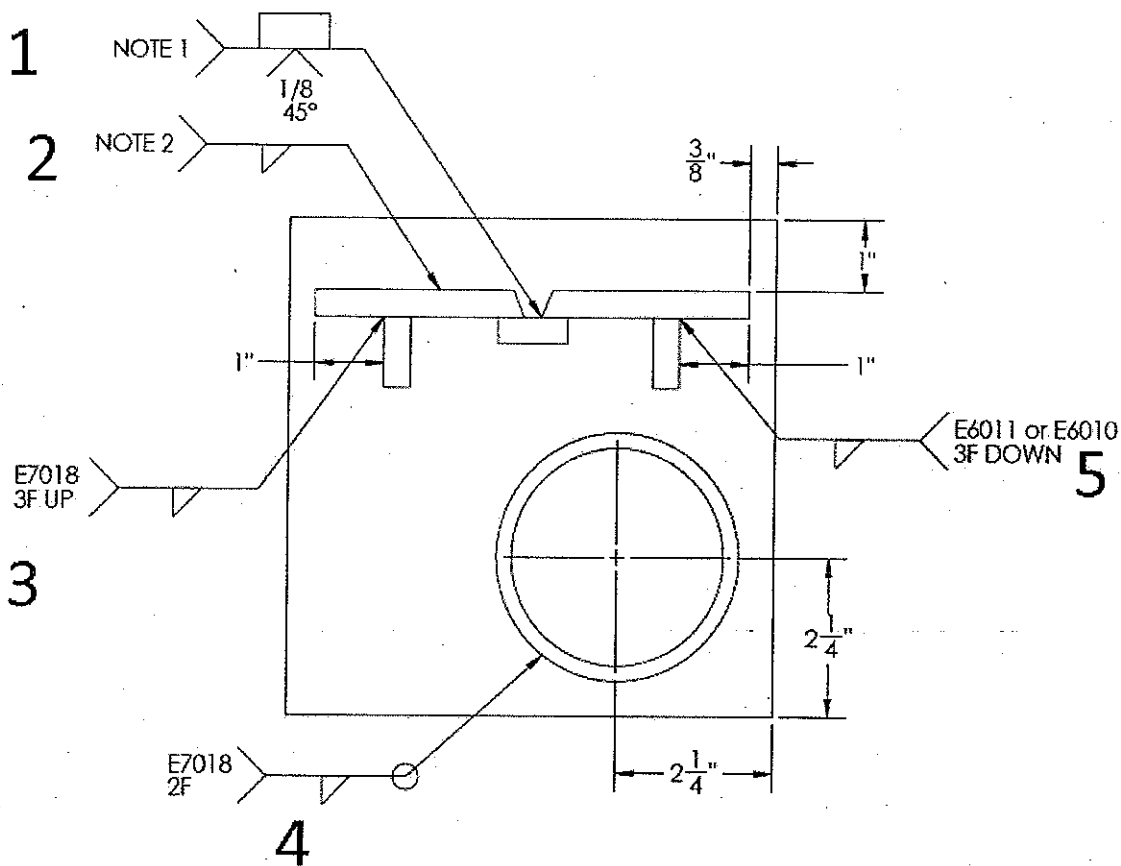
	WELD/PAC	PTS POSSIBLE
1	E7018 MULTIPASS GROOVE	4 /30
2	E6013 MULTIPASS FILLET	5 /20
3	E7018 VERTICAL UP	5 /25
4	E7018 PIPE	4 /10
5	E6011 / 10 DOWN	5 /15
	LAYOUT PENALTY	4
TOTAL		19 /100 PTS

CONTESTANT NUMBER 1048



	WELD/PAC	PTS POSSIBLE
1	E7018 MULTIPASS GROOVE	4 /30
2	E6013 MULTIPASS FILLET	3 /20
3	E7018 VERTICAL UP	10 /25
4	E7018 PIPE	3 /10
5	E6011 / 10 DOWN	5 /15
	LAYOUT PENALTY	10
TOTAL		15 /100 PTS

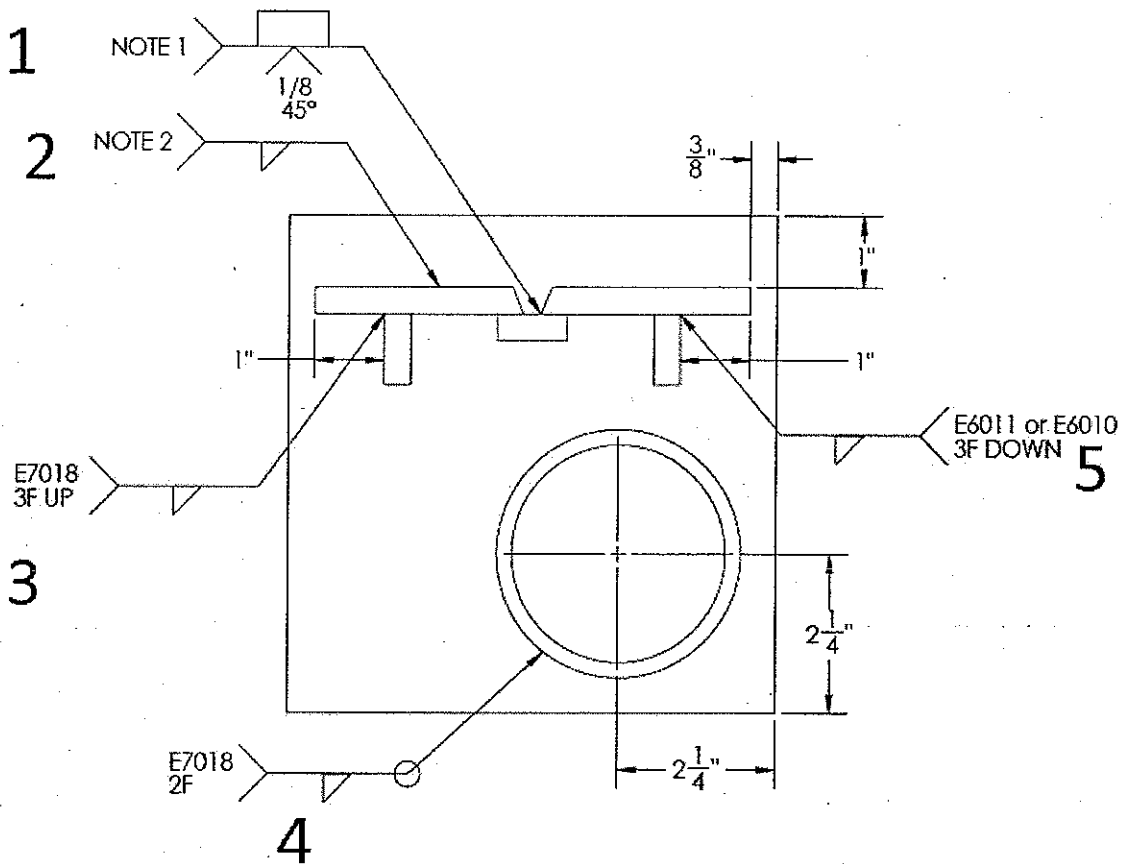
CONTESTANT NUMBER 1068



	WELD/PAC	PTS POSSIBLE
1	E7018 MULTIPASS GROOVE	18 /30
2	E6013 MULTIPASS FILLET	19 /20
3	E7018 VERTICAL UP	18 /25
4	E7018 PIPE	7 /10
5	E6011 / 10 DOWN	10 /15
	LAYOUT PENALTY	3
TOTAL		69 /100 PTS

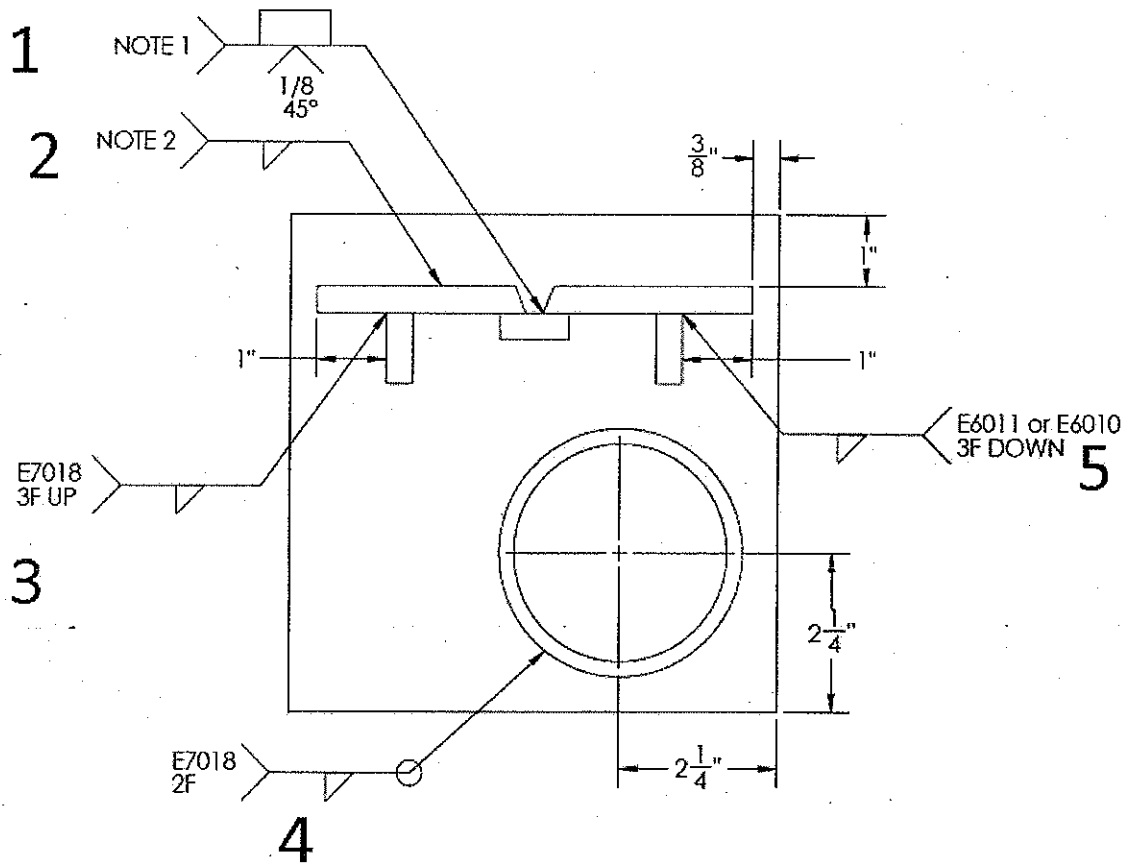


CONTESTANT NUMBER 1076



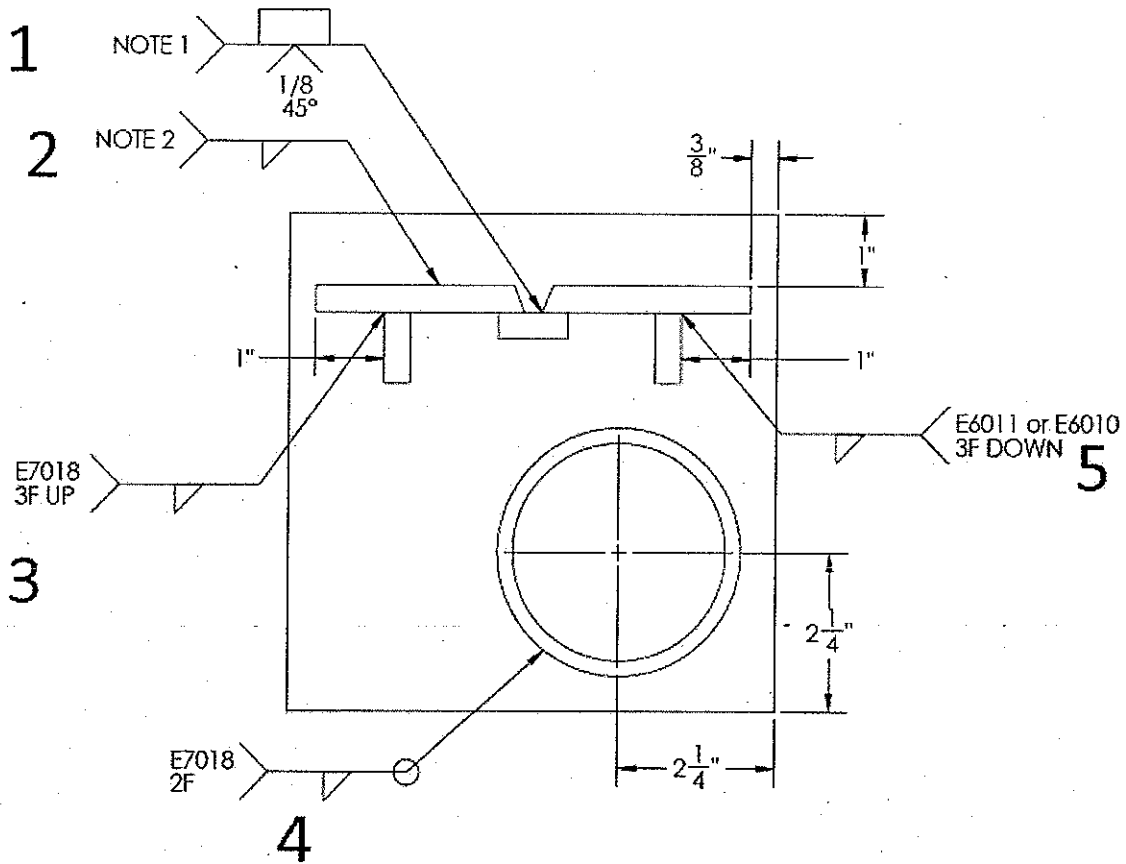
	WELD/PAC	PTS POSSIBLE
1	E7018 MULTIPASS GROOVE	2 /30
2	E6013 MULTIPASS FILLET	2 /20
3	E7018 VERTICAL UP	12 /25
4	E7018 PIPE	3 /10
5	E6011 / 10 DOWN	1 /15
	LAYOUT PENALTY	4
TOTAL		16 /100 PTS

CONTESTANT NUMBER 1087



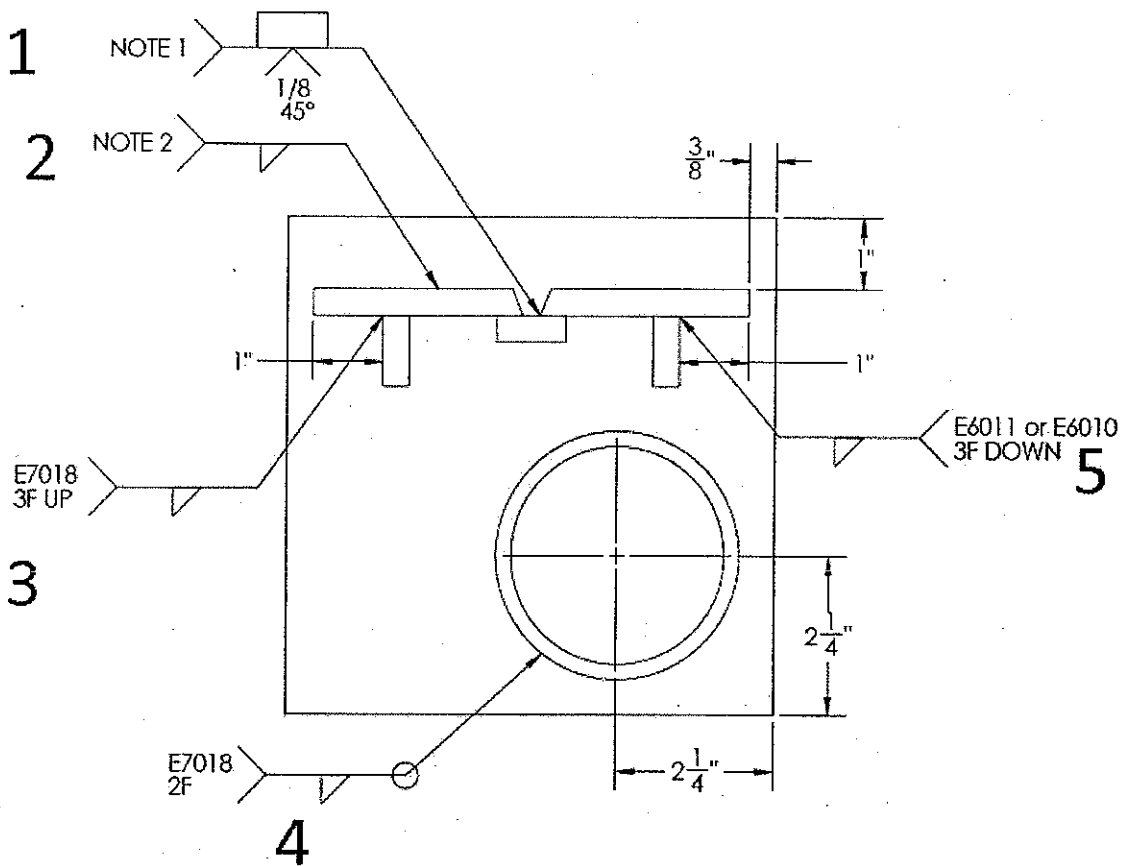
	WELD/PAC	PTS POSSIBLE
1	E7018 MULTIPASS GROOVE	15 /30
2	E6013 MULTIPASS FILLET	13 /20
3	E7018 VERTICAL UP	8 /25
4	E7018 PIPE	2 /10
5	E6011 / 10 DOWN	2 /15
	LAYOUT PENALTY	3
TOTAL		37 /100 PTS

CONTESTANT NUMBER 1094



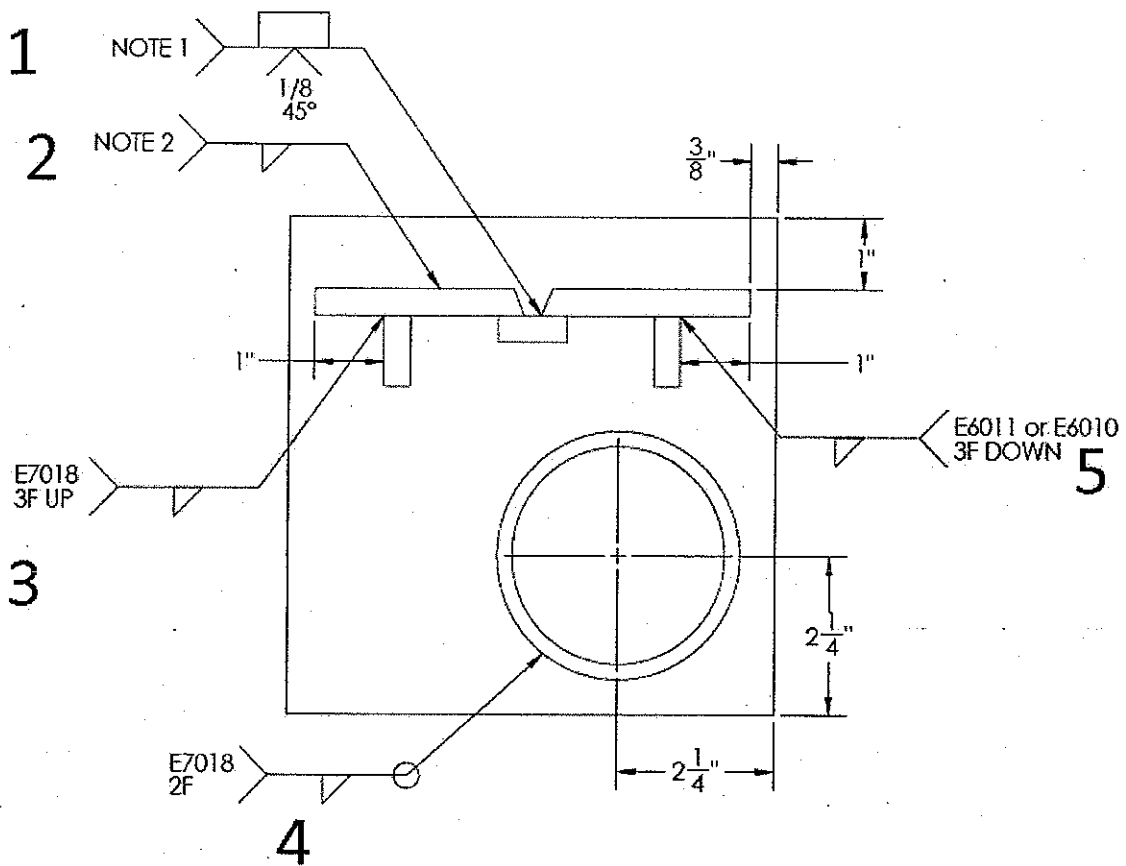
	WELD/PAC	PTS POSSIBLE
1	E7018 MULTIPASS GROOVE	2 /30
2	E6013 MULTIPASS FILLET	4 /20
3	E7018 VERTICAL UP	2 /25
4	E7018 PIPE	2 /10
5	E6011 / 10 DOWN	2 /15
	LAYOUT PENALTY	6
TOTAL		6 /100 PTS

CONTESTANT NUMBER 1106



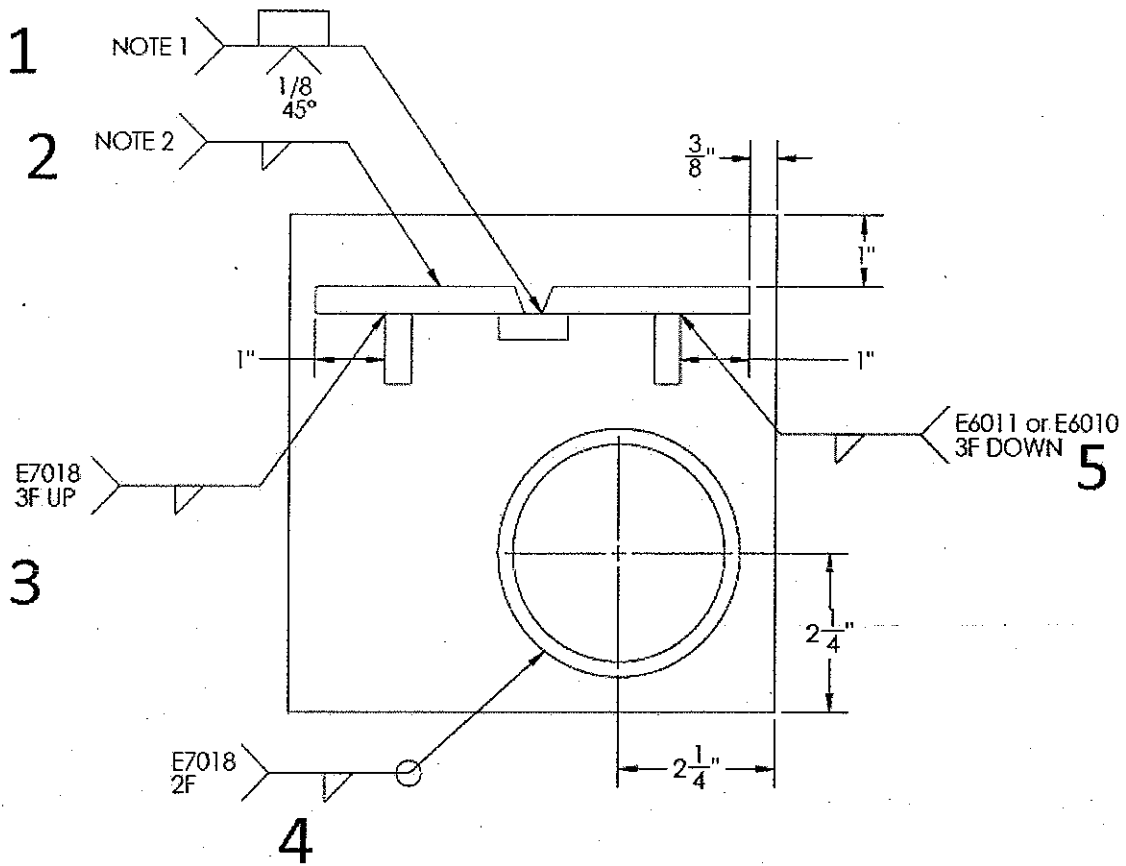
	WELD/PAC	PTS POSSIBLE
1	E7018 MULTIPASS GROOVE	0 /30
2	E6013 MULTIPASS FILLET	2 /20
3	E7018 VERTICAL UP	0 /25
4	E7018 PIPE	2 /10
5	E6011 / 10 DOWN	0 /15
	LAYOUT PENALTY	1
TOTAL		3 /100 PTS

CONTESTANT NUMBER 1107



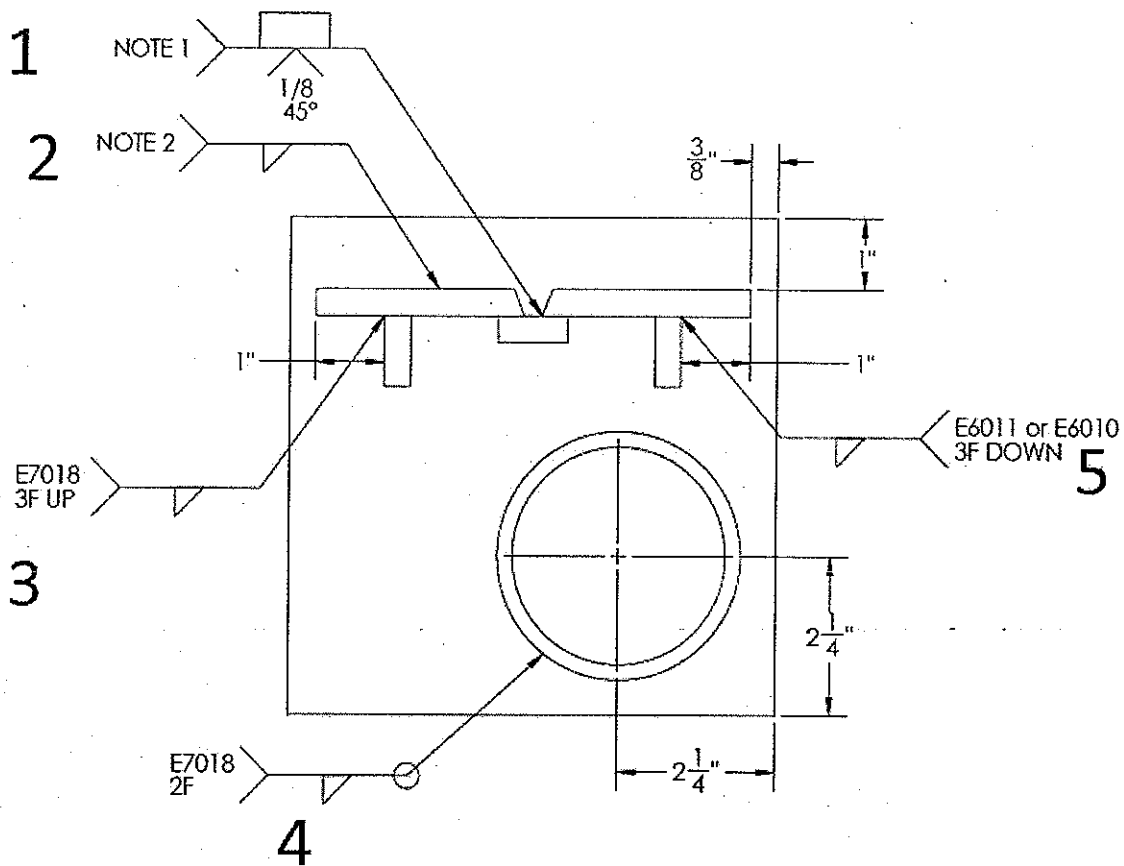
	WELD/PAC	PTS POSSIBLE
1	E7018 MULTIPASS GROOVE	10 /30
2	E6013 MULTIPASS FILLET	18 /20
3	E7018 VERTICAL UP	17 /25
4	E7018 PIPE	7 /10
5	E6011 / 10 DOWN	11 /15
	LAYOUT PENALTY	3
TOTAL		60 /100 PTS

CONTESTANT NUMBER 1136



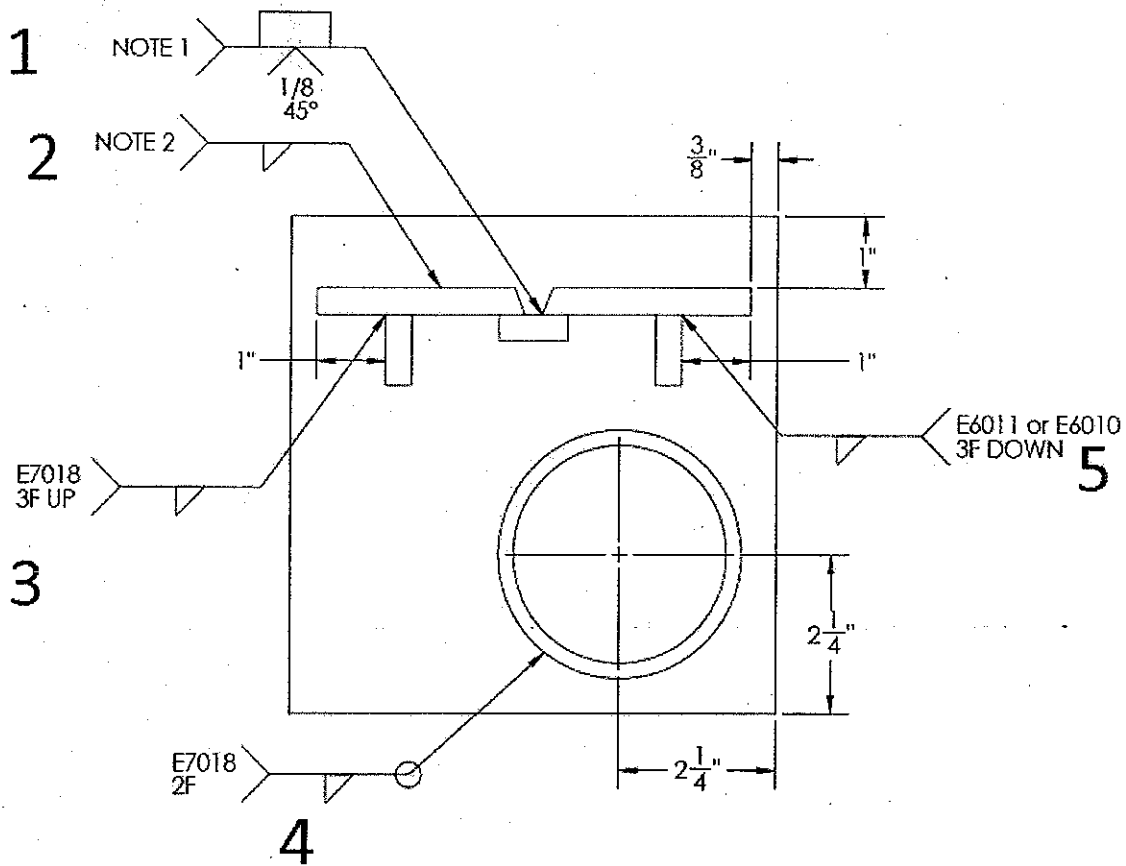
	WELD/PAC	PTS POSSIBLE
1	E7018 MULTIPASS GROOVE	5 /30
2	E6013 MULTIPASS FILLET	4 /20
3	E7018 VERTICAL UP	8 /25
4	E7018 PIPE	3 /10
5	E6011 / 10 DOWN	6 /15
	LAYOUT PENALTY	1
TOTAL		25 /100 PTS

CONTESTANT NUMBER 1147



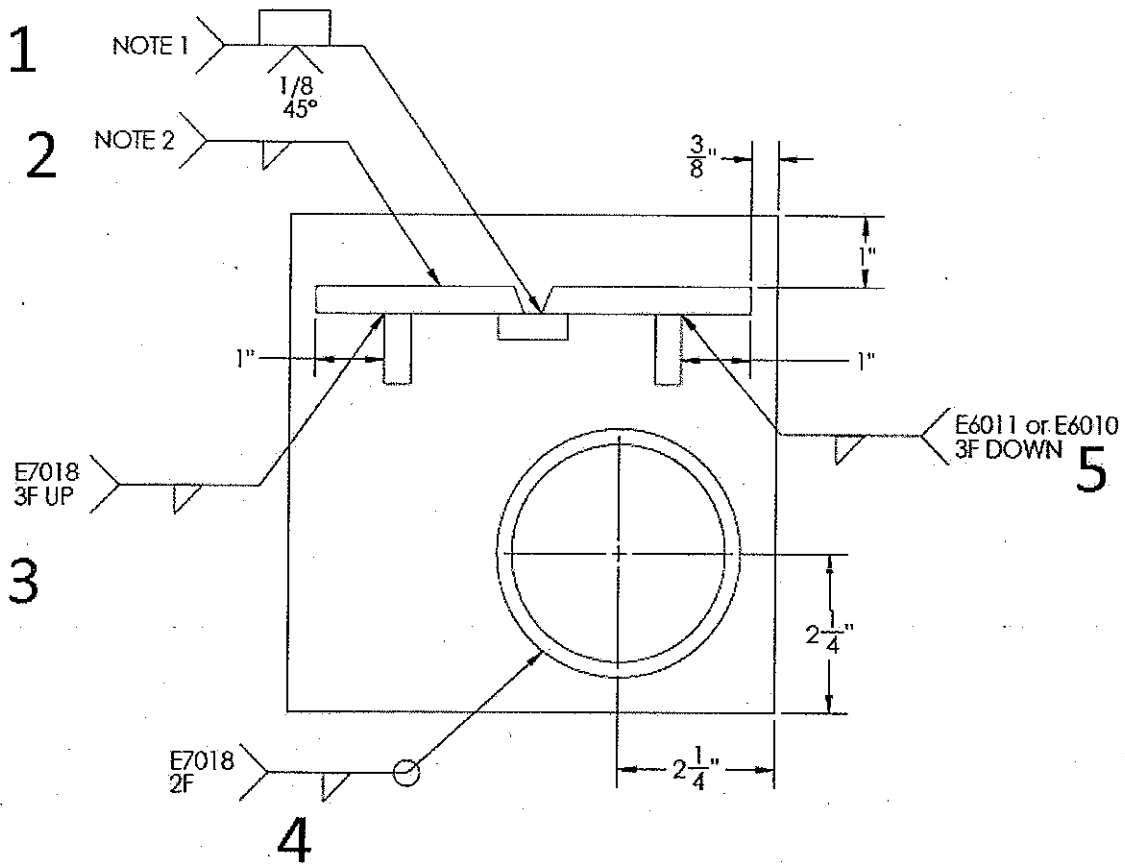
	WELD/PAC	PTS POSSIBLE	
1	E7018 MULTIPASS GROOVE	2	/30
2	E6013 MULTIPASS FILLET	1	/20
3	E7018 VERTICAL UP	1	/25
4	E7018 PIPE	5	/10
5	E6011 / 10 DOWN	2	/15
	LAYOUT PENALTY	4	
TOTAL		7	/100 PTS

CONTESTANT NUMBER 1150



	WELD/PAC	PTS POSSIBLE
1	E7018 MULTIPASS GROOVE	20 /30
2	E6013 MULTIPASS FILLET	16 /20
3	E7018 VERTICAL UP	15 /25
4	E7018 PIPE	6 /10
5	E6011 / 10 DOWN	13 /15
	LAYOUT PENALTY	3
TOTAL		67 /100 PTS

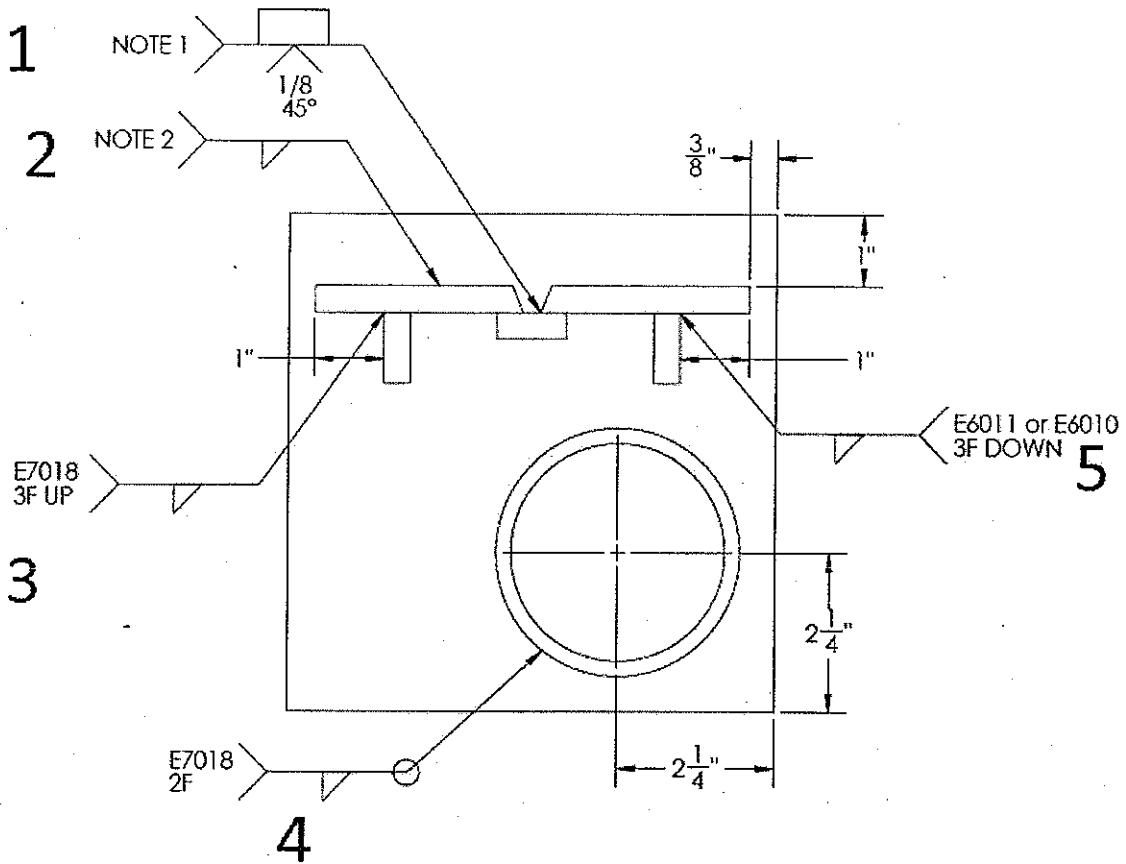
CONTESTANT NUMBER 1151



	WELD/PAC	PTS POSSIBLE	
1	E7018 MULTIPASS GROOVE	20	/30
2	E6013 MULTIPASS FILLET	15	/20
3	E7018 VERTICAL UP	22	/25
4	E7018 PIPE	6	/10
5	E6011 / 10 DOWN	12	/15
	LAYOUT PENALTY	2	
TOTAL		73	/100 PTS

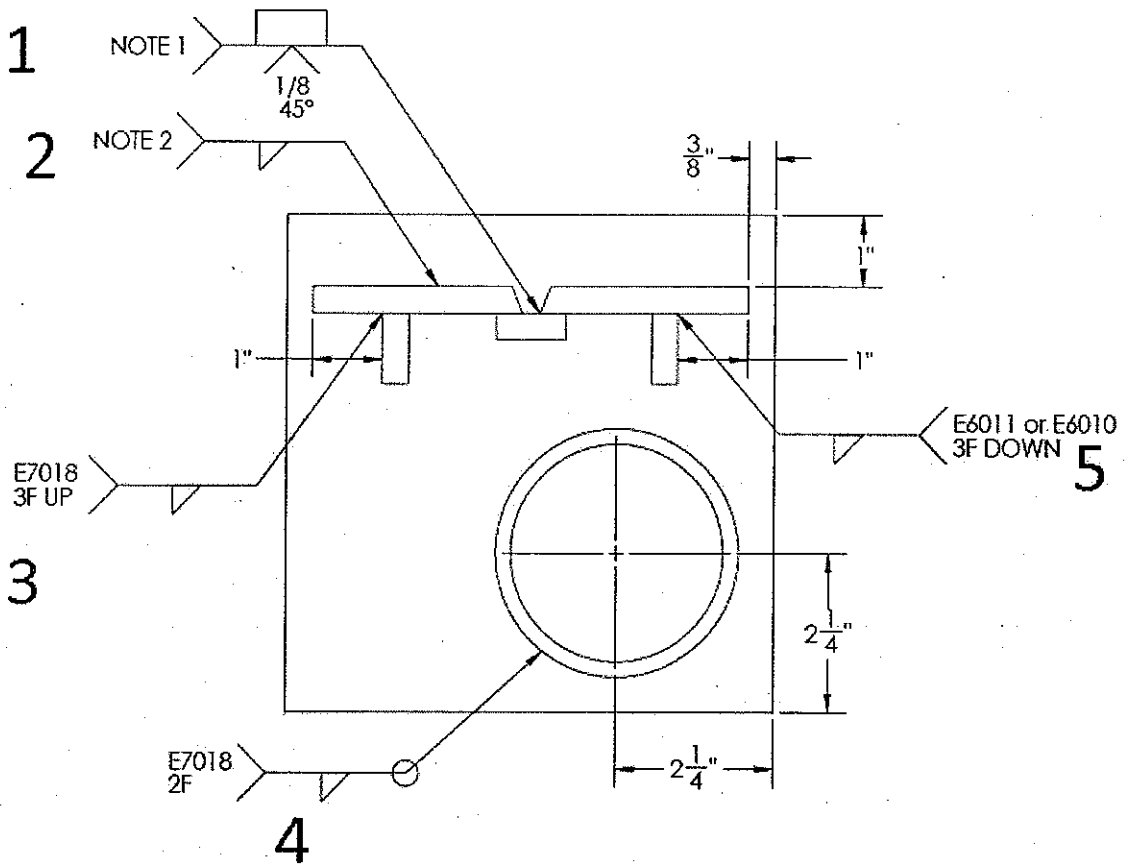
✓

CONTESTANT NUMBER 1211



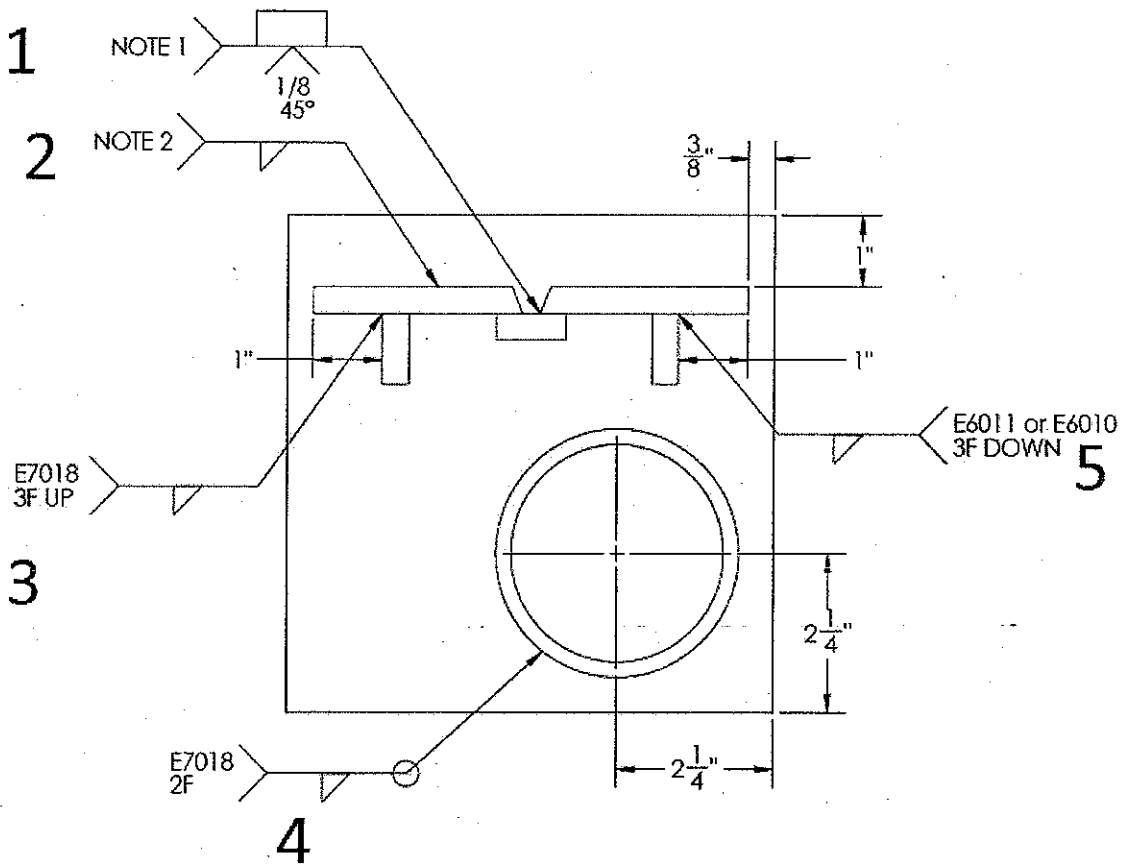
	WELD/PAC	PTS POSSIBLE
1	E7018 MULTIPASS GROOVE	19 /30
2	E6013 MULTIPASS FILLET	10 /20
3	E7018 VERTICAL UP	12 /25
4	E7018 PIPE	7 /10
5	E6011 / 10 DOWN	10 /15
	LAYOUT PENALTY	2
TOTAL		56 /100 PTS

CONTESTANT NUMBER 1212



	WELD/PAC	PTS POSSIBLE	
1	E7018 MULTIPASS GROOVE	26	/30
2	E6013 MULTIPASS FILLET	12	/20
3	E7018 VERTICAL UP	1	/25
4	E7018 PIPE	7	/10
5	E6011 / 10 DOWN	12	/15
	LAYOUT PENALTY	1	
TOTAL		57	/100 PTS

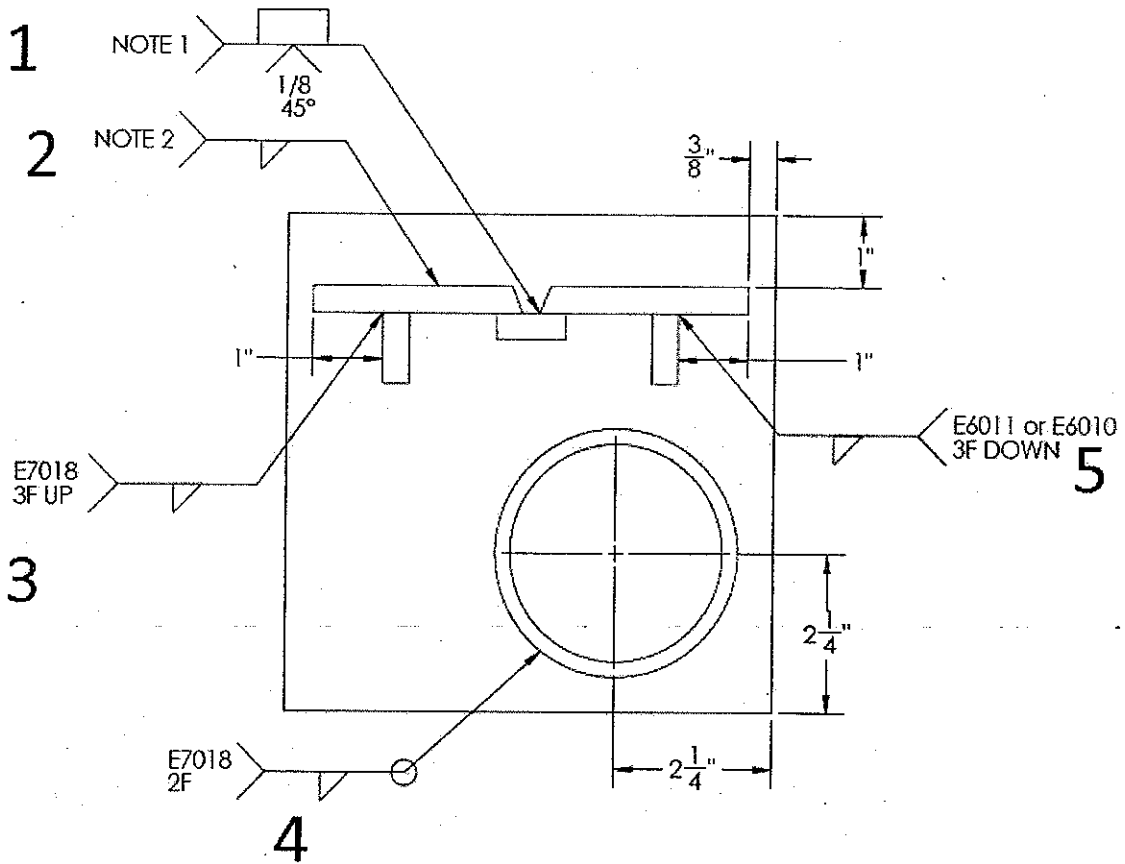
CONTESTANT NUMBER 1213



	WELD/PAC	PTS POSSIBLE	
1	E7018 MULTIPASS GROOVE	22	/30
2	E6013 MULTIPASS FILLET	13	/20
3	E7018 VERTICAL UP	18	/25
4	E7018 PIPE	7	/10
5	E6011 / 10 DOWN	9	/15
	LAYOUT PENALTY	1	
TOTAL		68	/100 PTS

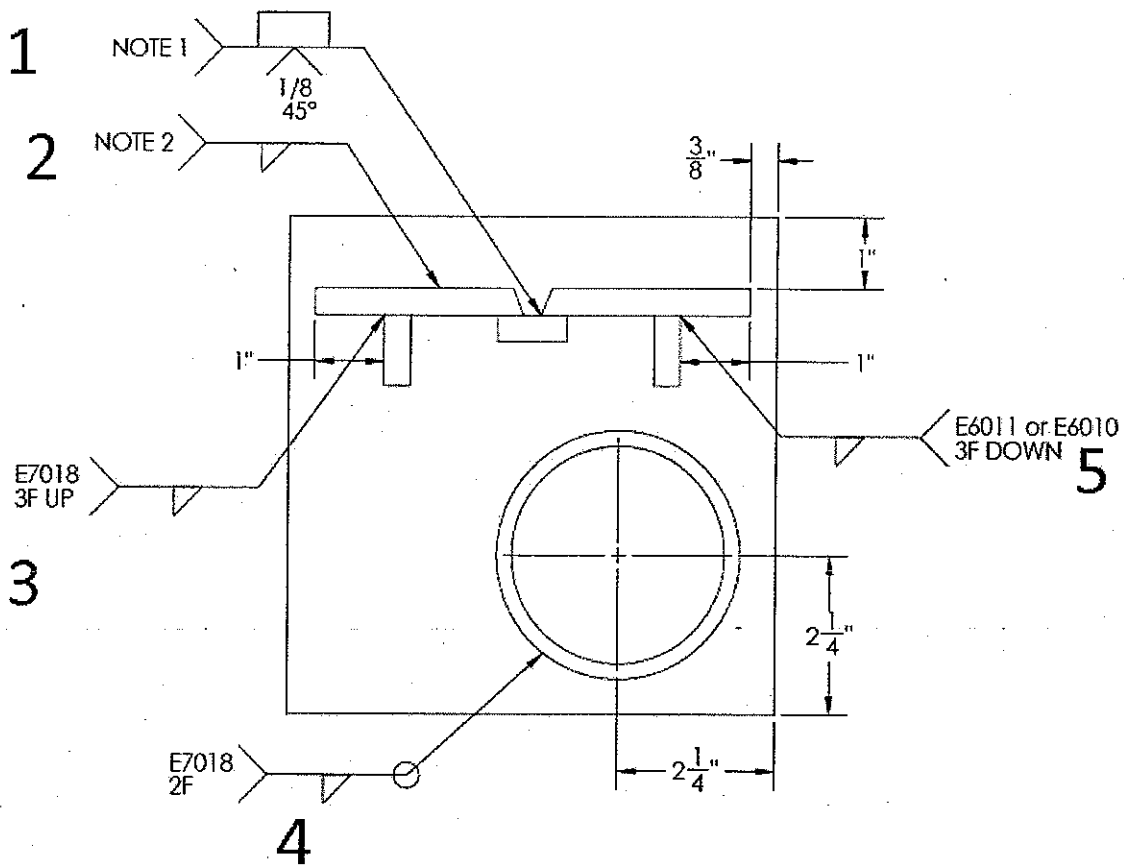


CONTESTANT NUMBER 1724



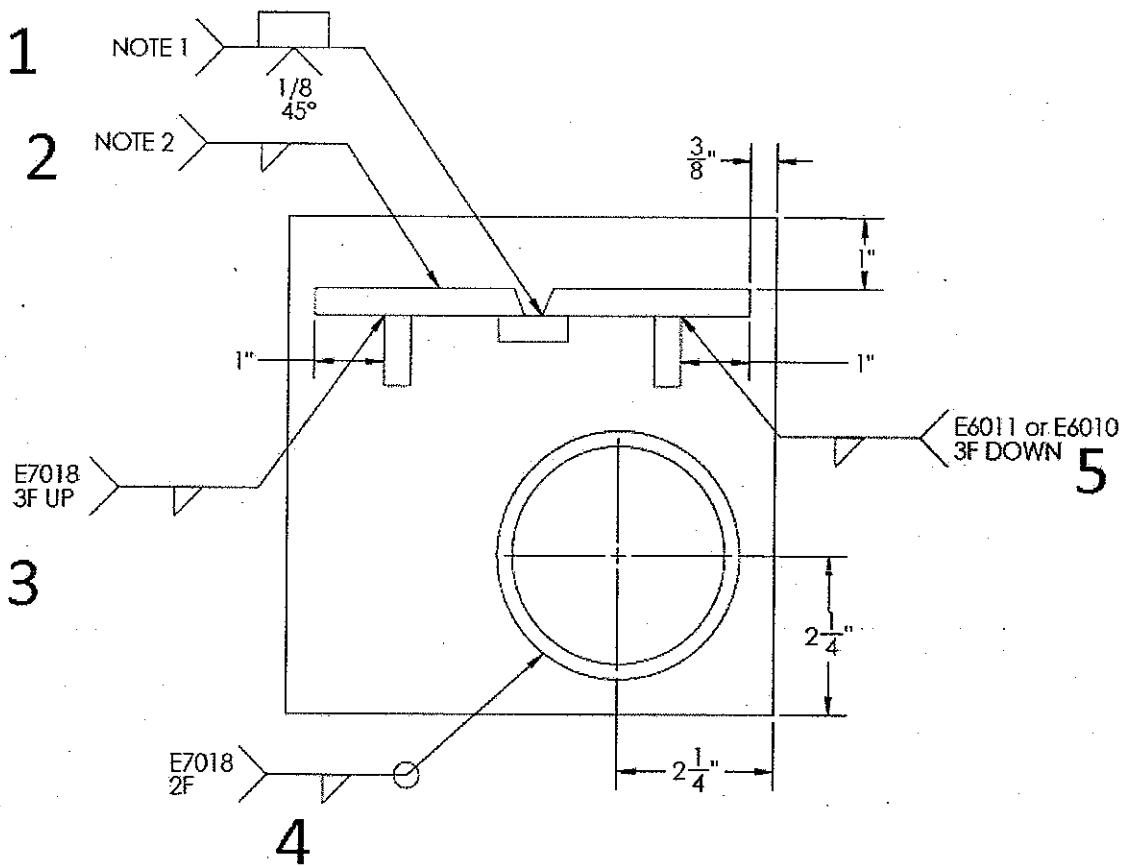
	WELD/PAC	PTS POSSIBLE
1	E7018 MULTIPASS GROOVE	18 /30
2	E6013 MULTIPASS FILLET	3 /20
3	E7018 VERTICAL UP	23 /25
4	E7018 PIPE	7 /10
5	E6011 / 10 DOWN	6 /15
	LAYOUT PENALTY	1
TOTAL		56 /100 PTS

CONTESTANT NUMBER 1239



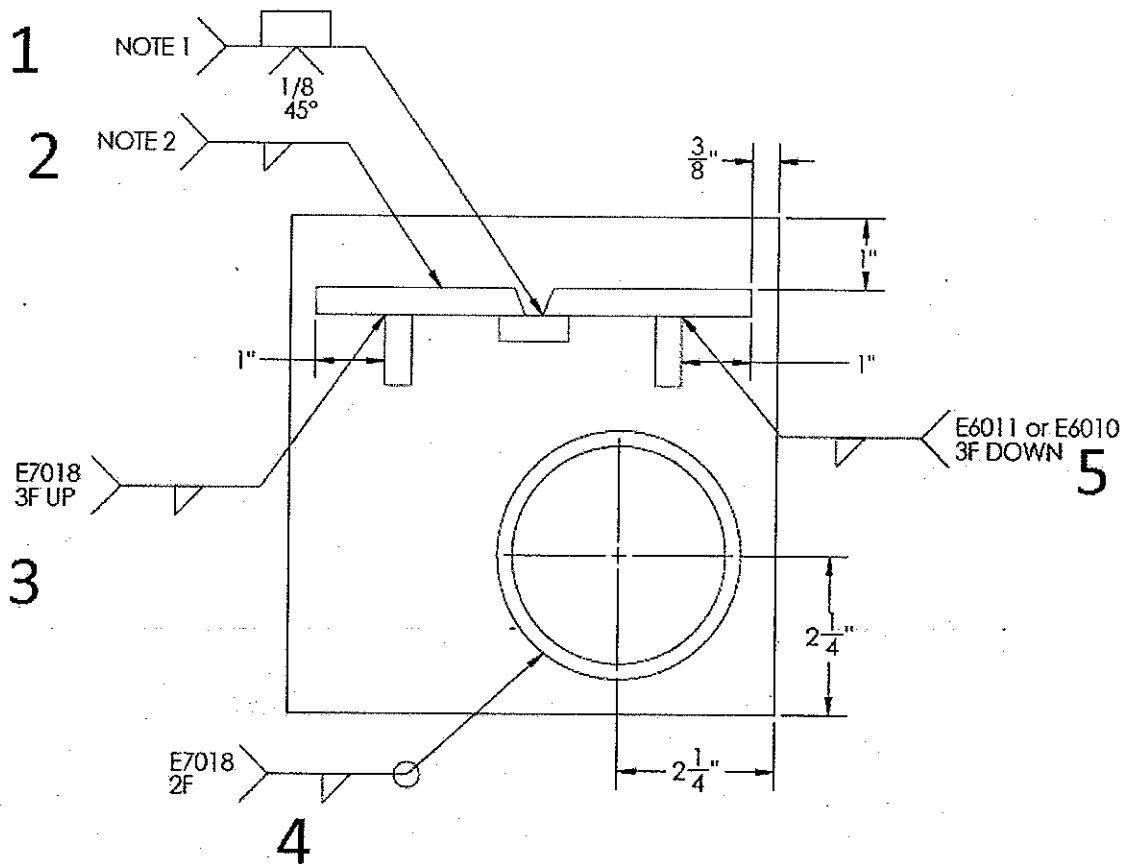
	WELD/PAC	PTS POSSIBLE
1	E7018 MULTIPASS GROOVE	2 /30
2	E6013 MULTIPASS FILLET	2 /20
3	E7018 VERTICAL UP	1 /25
4	E7018 PIPE	3 /10
5	E6011 / 10 DOWN	1 /15
	LAYOUT PENALTY	1
TOTAL		8 /100 PTS

CONTESTANT NUMBER 1244



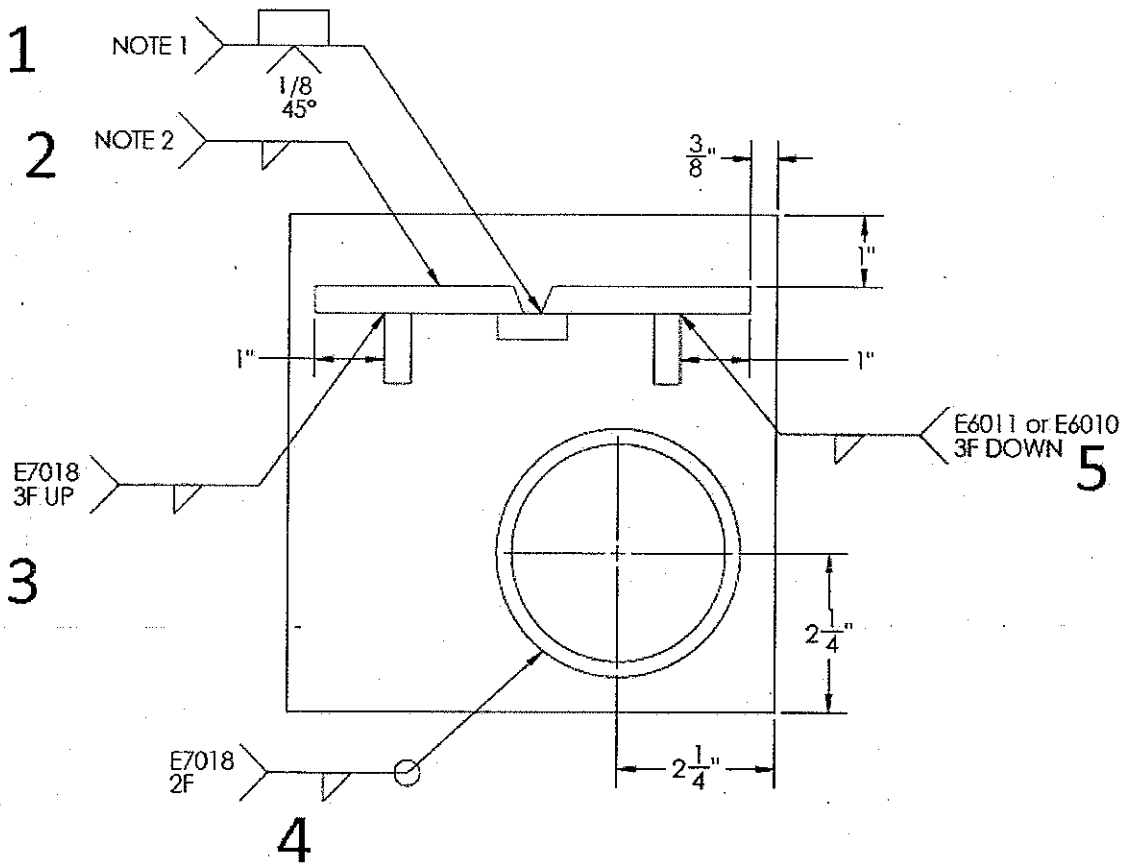
	WELD/PAC	PTS POSSIBLE
1	E7018 MULTIPASS GROOVE	5 /30
2	E6013 MULTIPASS FILLET	10 /20
3	E7018 VERTICAL UP	15 /25
4	E7018 PIPE	3 /10
5	E6011 / 10 DOWN	12 /15
	LAYOUT PENALTY	1
TOTAL		44 /100 PTS

CONTESTANT NUMBER 1255



	WELD/PAC	PTS POSSIBLE
1	E7018 MULTIPASS GROOVE	25 /30
2	E6013 MULTIPASS FILLET	17 /20
3	E7018 VERTICAL UP	21 /25
4	E7018 PIPE	7 /10
5	E6011 / 10 DOWN	1 /15
	LAYOUT PENALTY	5
TOTAL		66 /100 PTS

CONTESTANT NUMBER 1275

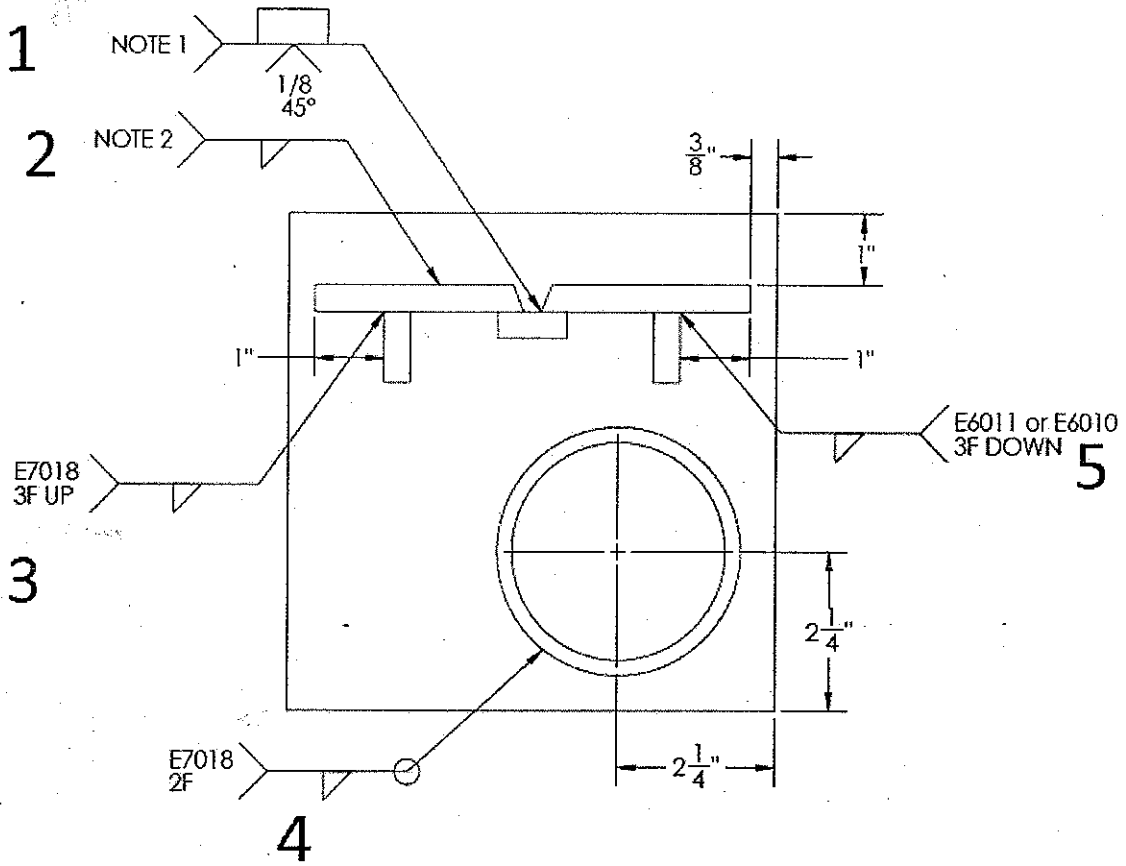


	WELD/PAC	PTS POSSIBLE	
1	E7018 MULTIPASS GROOVE	5	/30
2	E6013 MULTIPASS FILLET	18	/20
3	E7018 VERTICAL UP	12	/25
4	E7018 PIPE	5	/10
5	E6011 / 10 DOWN	13	/15
	LAYOUT PENALTY	- 4	
TOTAL		65	/100 PTS

> 23
> 17
13

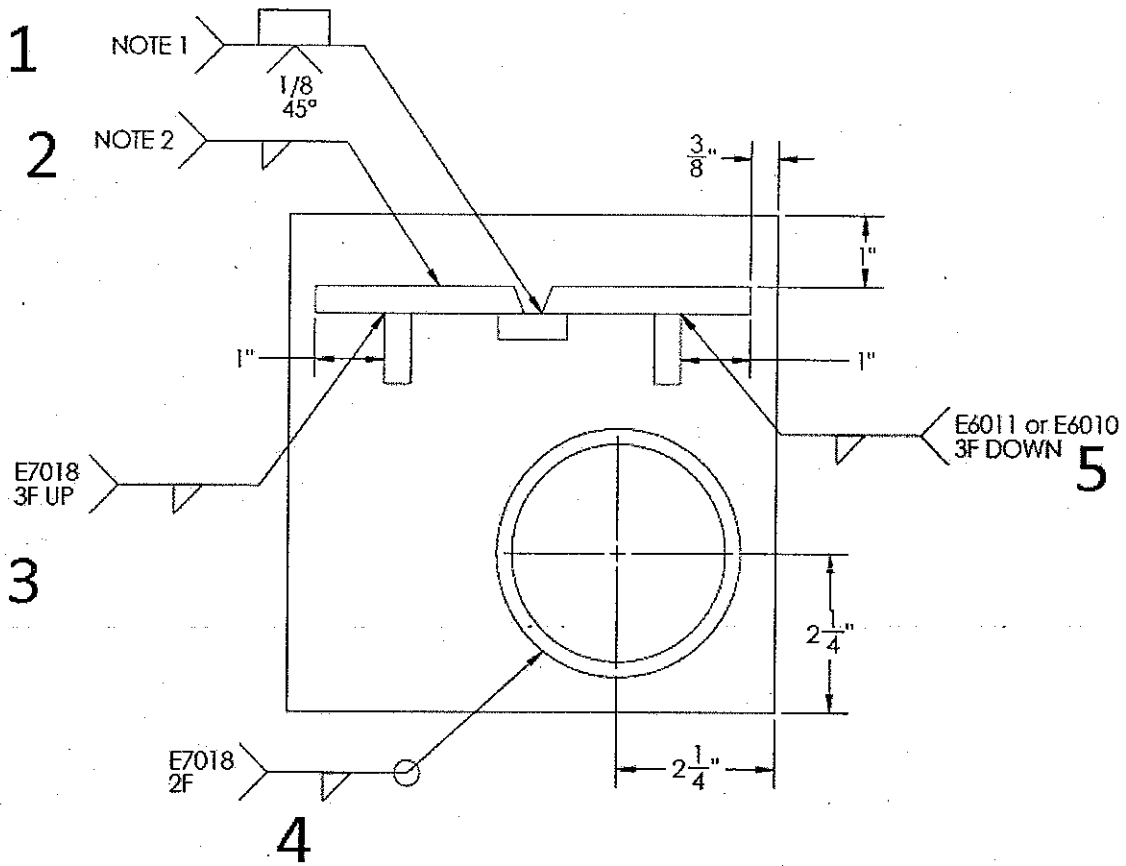
49

CONTESTANT NUMBER 1373



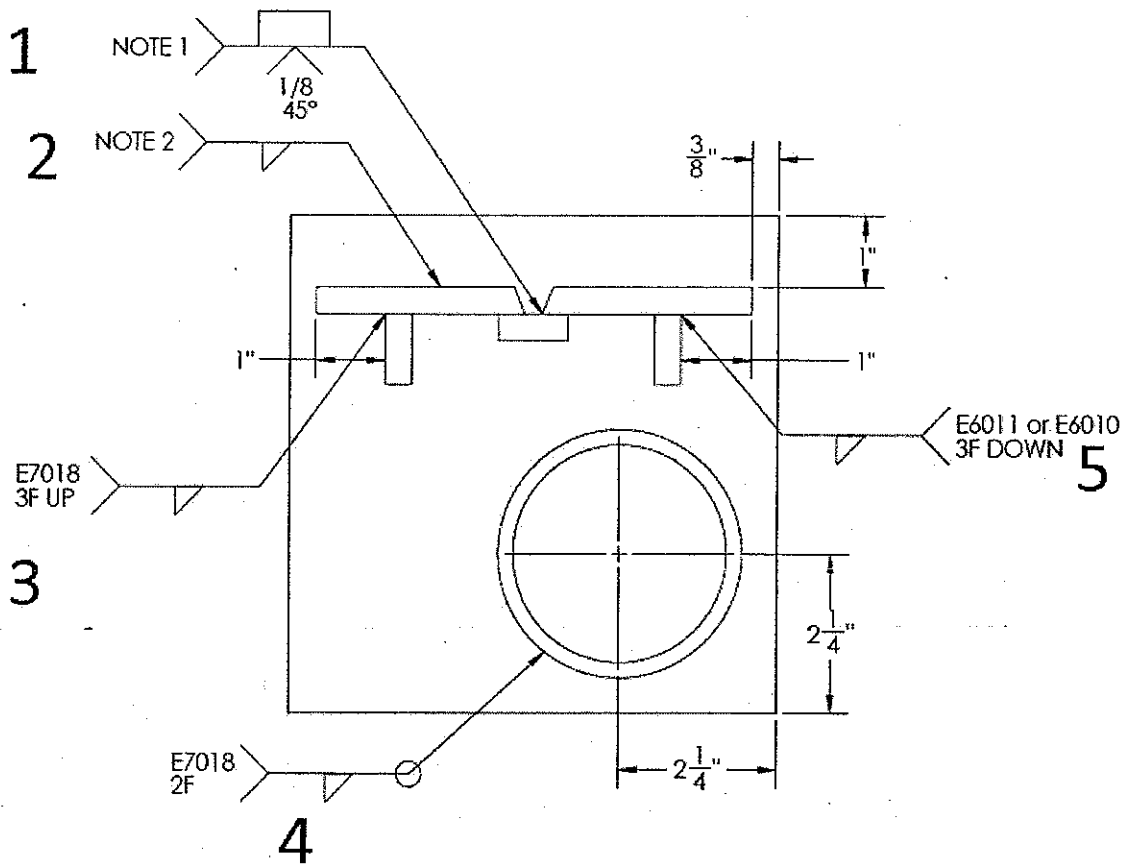
	WELD/PAC	PTS POSSIBLE	
1	E7018 MULTIPASS GROOVE	10	/30
2	E6013 MULTIPASS FILLET	16	/20
3	E7018 VERTICAL UP	12	/25
4	E7018 PIPE	7	/10
5	E6011 / 10 DOWN	12	/15
	LAYOUT PENALTY	4	
TOTAL		53	/100 PTS

CONTESTANT NUMBER 1397



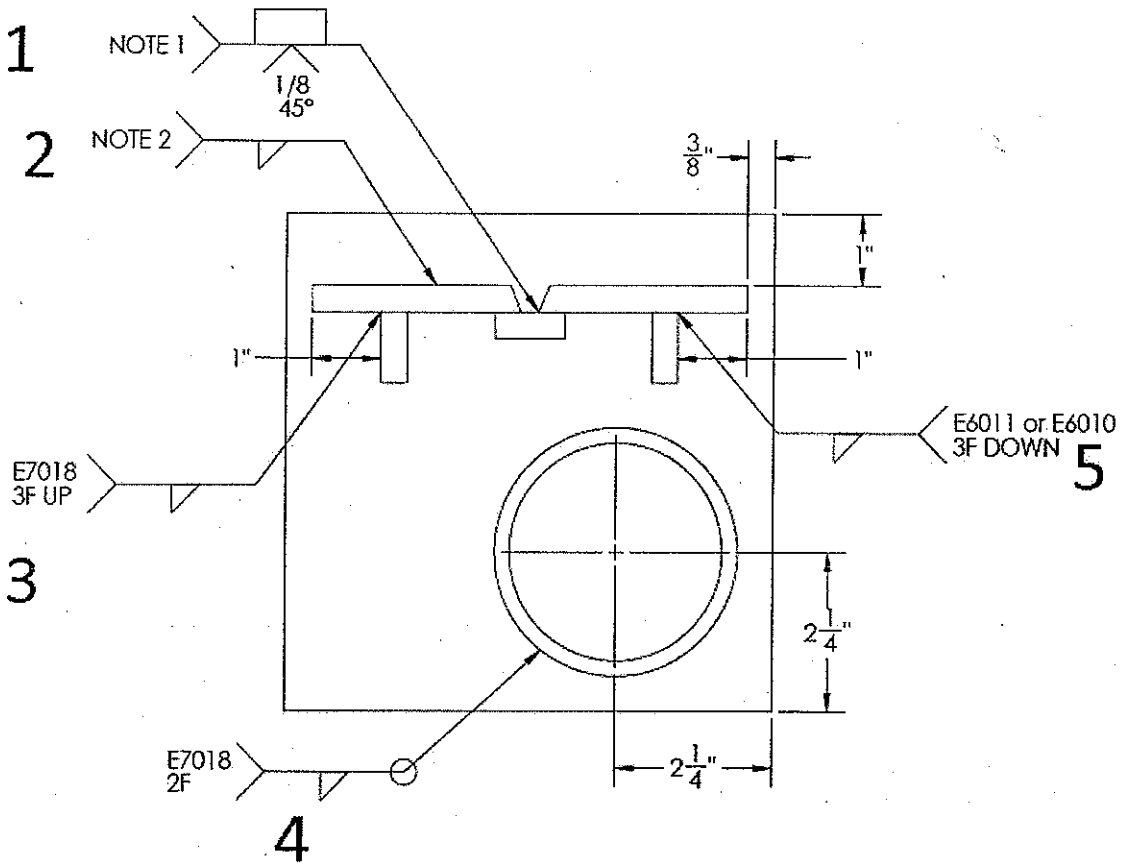
	WELD/PAC	PTS POSSIBLE
1	E7018 MULTIPASS GROOVE	5 /30
2	E6013 MULTIPASS FILLET	10 /20
3	E7018 VERTICAL UP	1 /25
4	E7018 PIPE	3 /10
5	E6011 / 10 DOWN	5 /15
	LAYOUT PENALTY	3
TOTAL		21 /100 PTS

CONTESTANT NUMBER 1398



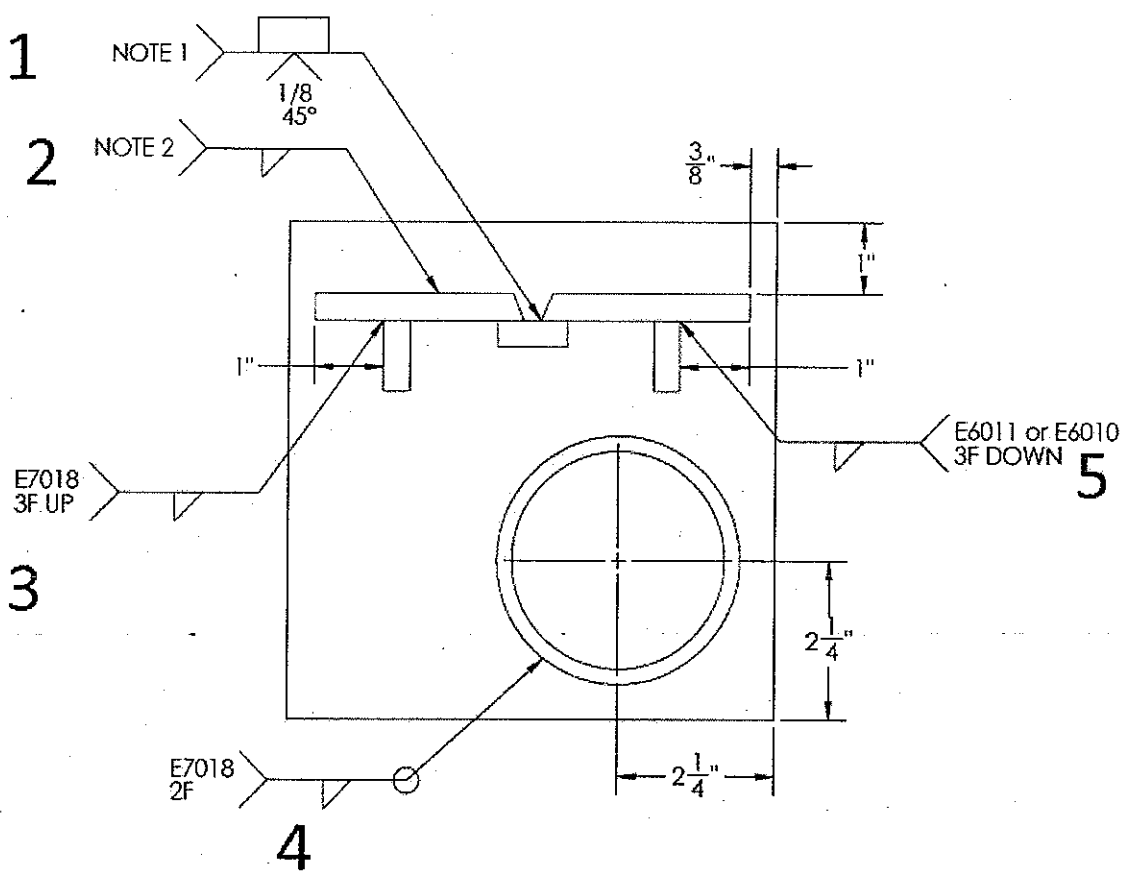
	WELD/PAC	PTS POSSIBLE
1	E7018 MULTIPASS GROOVE	5 /30
2	E6013 MULTIPASS FILLET	5 /20
3	E7018 VERTICAL UP	5 /25
4	E7018 PIPE	3 /10
5	E6011 / 10 DOWN	7 /15
	LAYOUT PENALTY	2
TOTAL		23 /100 PTS

CONTESTANT NUMBER 1430



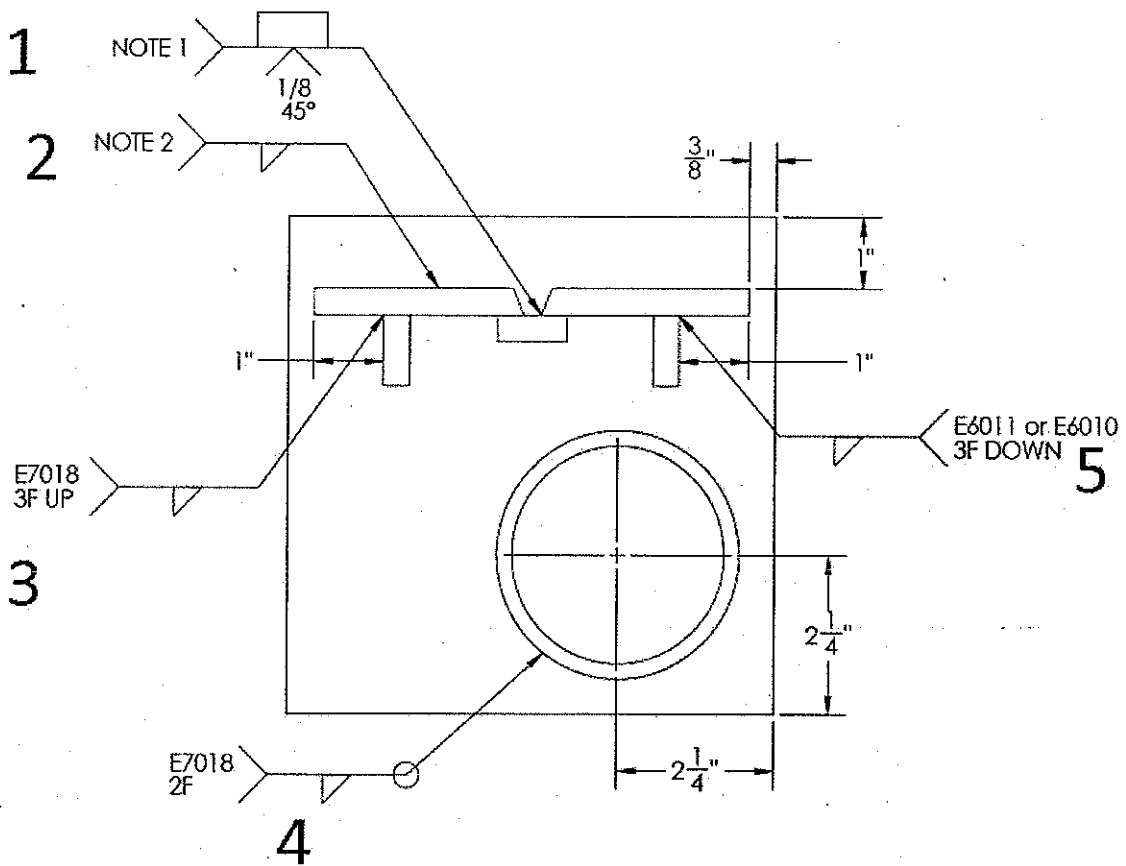
	WELD/PAC	PTS POSSIBLE
1	E7018 MULTIPASS GROOVE	12 /30
2	E6013 MULTIPASS FILLET	10 /20
3	E7018 VERTICAL UP	5 /25
4	E7018 PIPE	6 /10
5	E6011 / 10 DOWN	7 /15
	LAYOUT PENALTY	2
TOTAL		38 /100 PTS

CONTESTANT NUMBER 1435



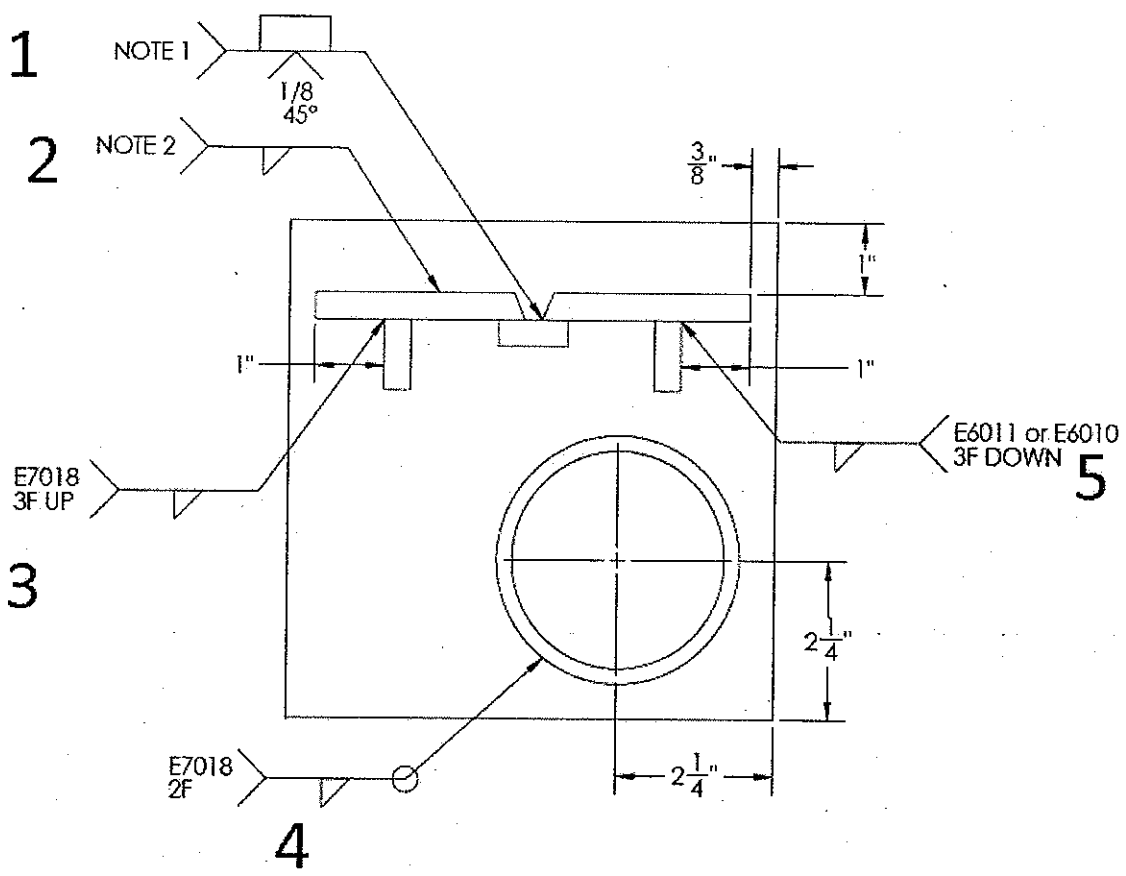
	WELD/PAC	PTS POSSIBLE
1	E7018 MULTIPASS GROOVE	5 /30
2	E6013 MULTIPASS FILLET	3 /20
3	E7018 VERTICAL UP	1 /25
4	E7018 PIPE	3 /10
5	E6011 / 10 DOWN	1 /15
	LAYOUT PENALTY	5
TOTAL		8 /100 PTS

CONTESTANT NUMBER 1457



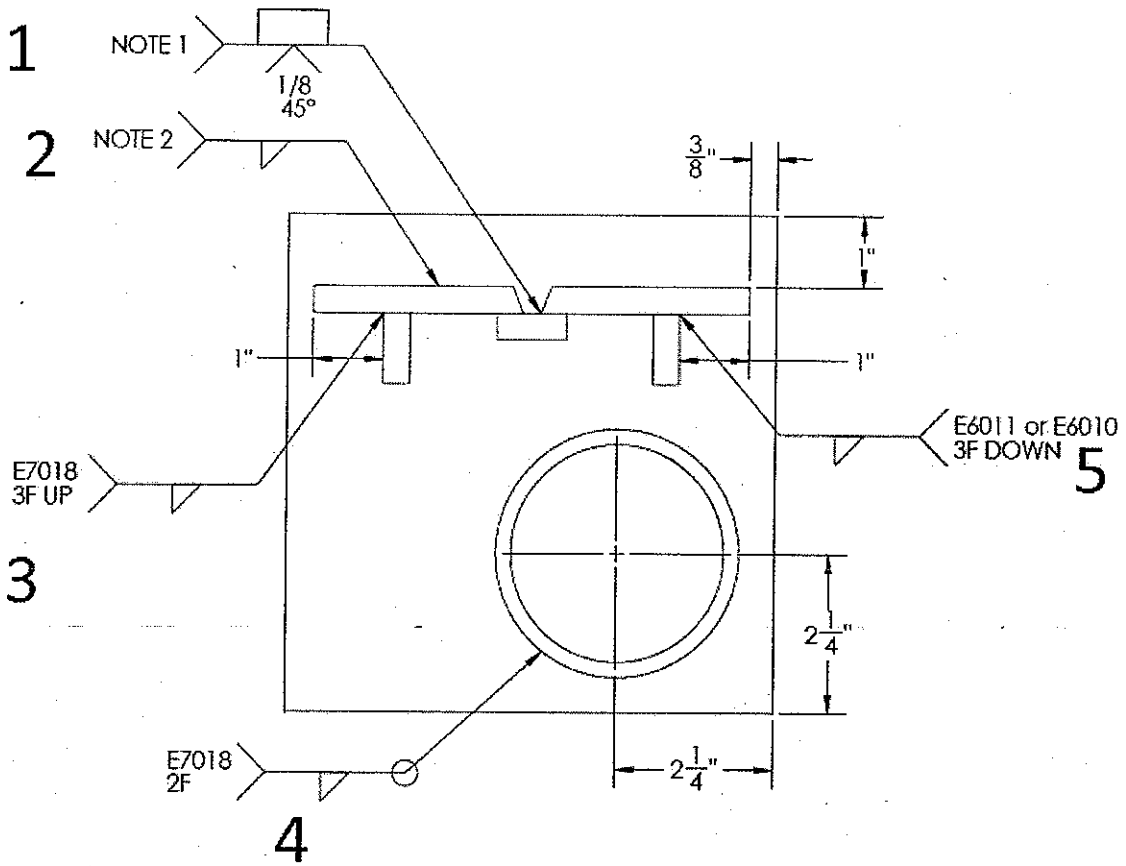
	WELD/PAC	PTS POSSIBLE
1	E7018 MULTIPASS GROOVE	5 /30
2	E6013 MULTIPASS FILLET	5 /20
3	E7018 VERTICAL UP	3 /25
4	E7018 PIPE	5 /10
5	E6011 / 10 DOWN	1 /15
	LAYOUT PENALTY	3
TOTAL		16 /100 PTS

CONTESTANT NUMBER 1458



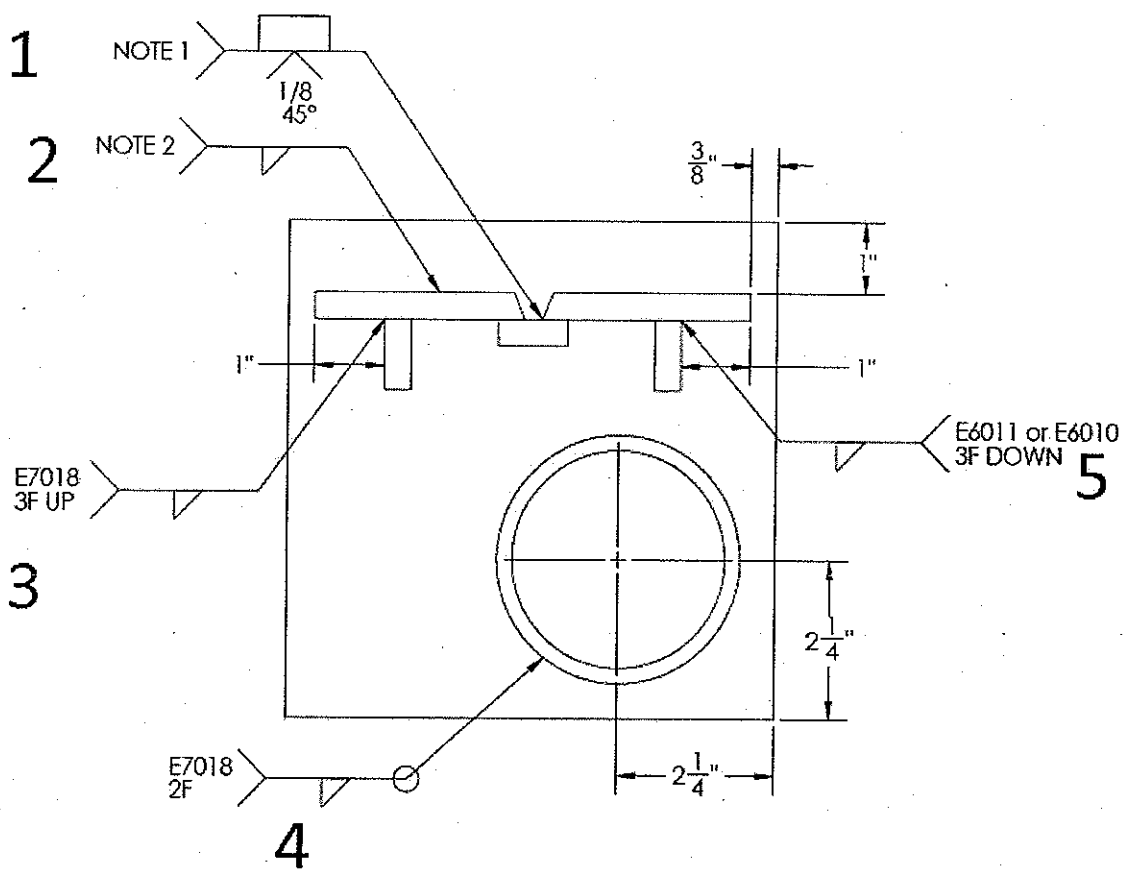
	WELD/PAC	PTS POSSIBLE
1	E7018 MULTIPASS GROOVE	12 /30
2	E6013 MULTIPASS FILLET	11 /20
3	E7018 VERTICAL UP	12 /25
4	E7018 PIPE	4 /10
5	E6011 / 10 DOWN	8 /15
	LAYOUT PENALTY	1
TOTAL		46 /100 PTS

CONTESTANT NUMBER 1473



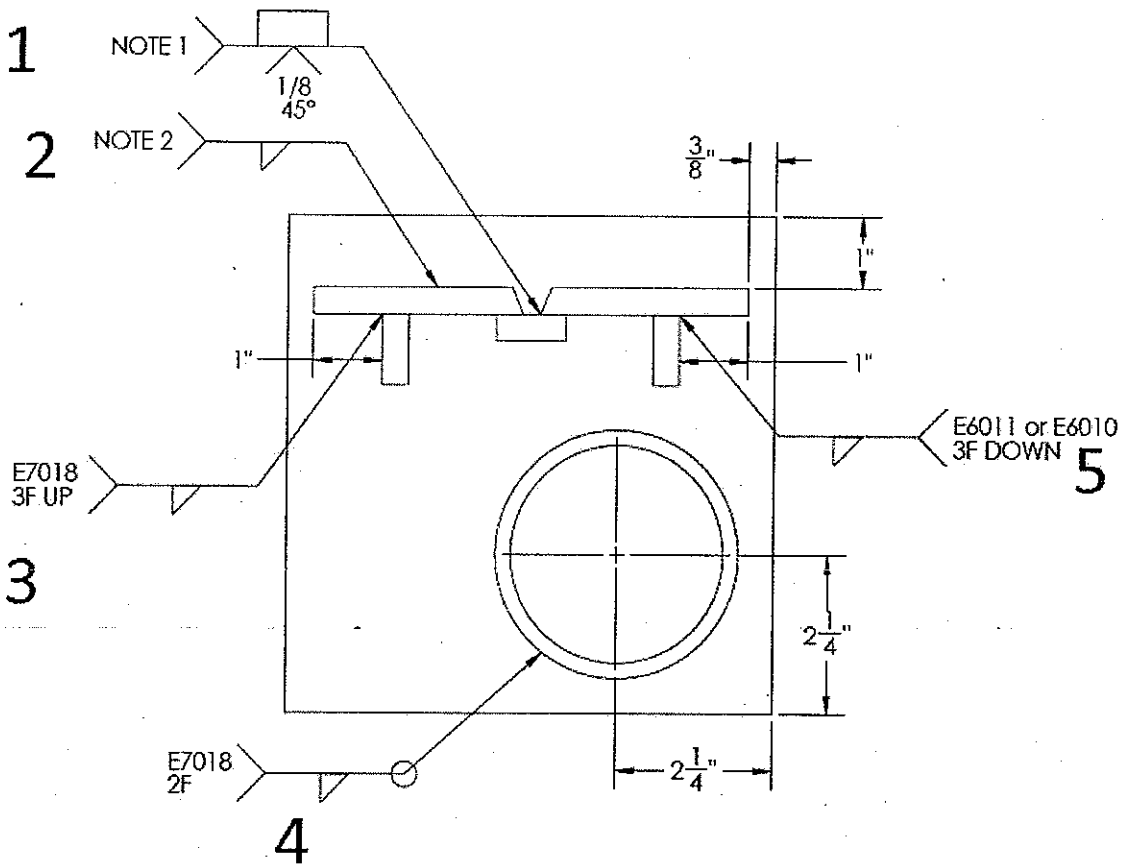
	WELD/PAC	PTS POSSIBLE
1	E7018 MULTIPASS GROOVE	15 /30
2	E6013 MULTIPASS FILLET	7 /20
3	E7018 VERTICAL UP	14 /25
4	E7018 PIPE	4 /10
5	E6011 / 10 DOWN	8 /15
	LAYOUT PENALTY	4
TOTAL		44 /100 PTS

CONTESTANT NUMBER 1474



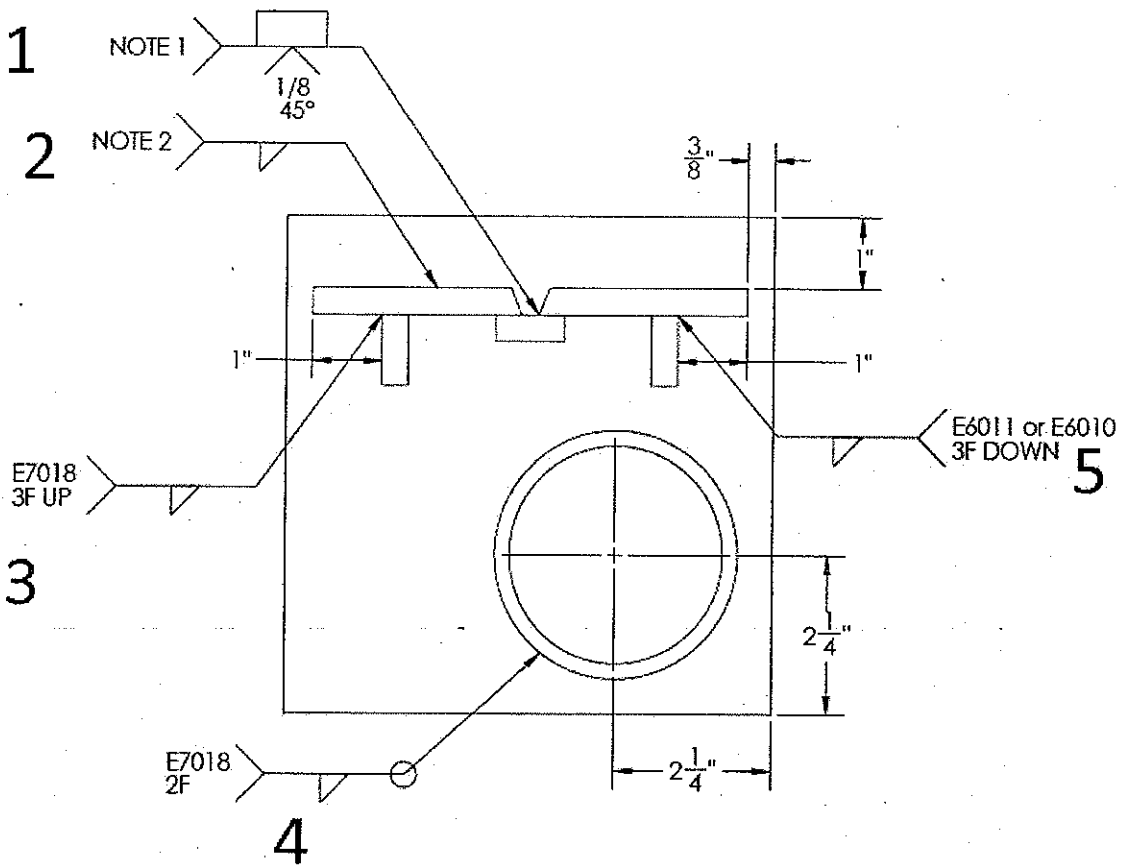
	WELD/PAC	PTS POSSIBLE
1	E7018 MULTIPASS GROOVE	8 /30
2	E6013 MULTIPASS FILLET	7 /20
3	E7018 VERTICAL UP	10 /25
4	E7018 PIPE	5 /10
5	E6011 / 10 DOWN	12 /15
	LAYOUT PENALTY	3
TOTAL		39 /100 PTS

CONTESTANT NUMBER 1526



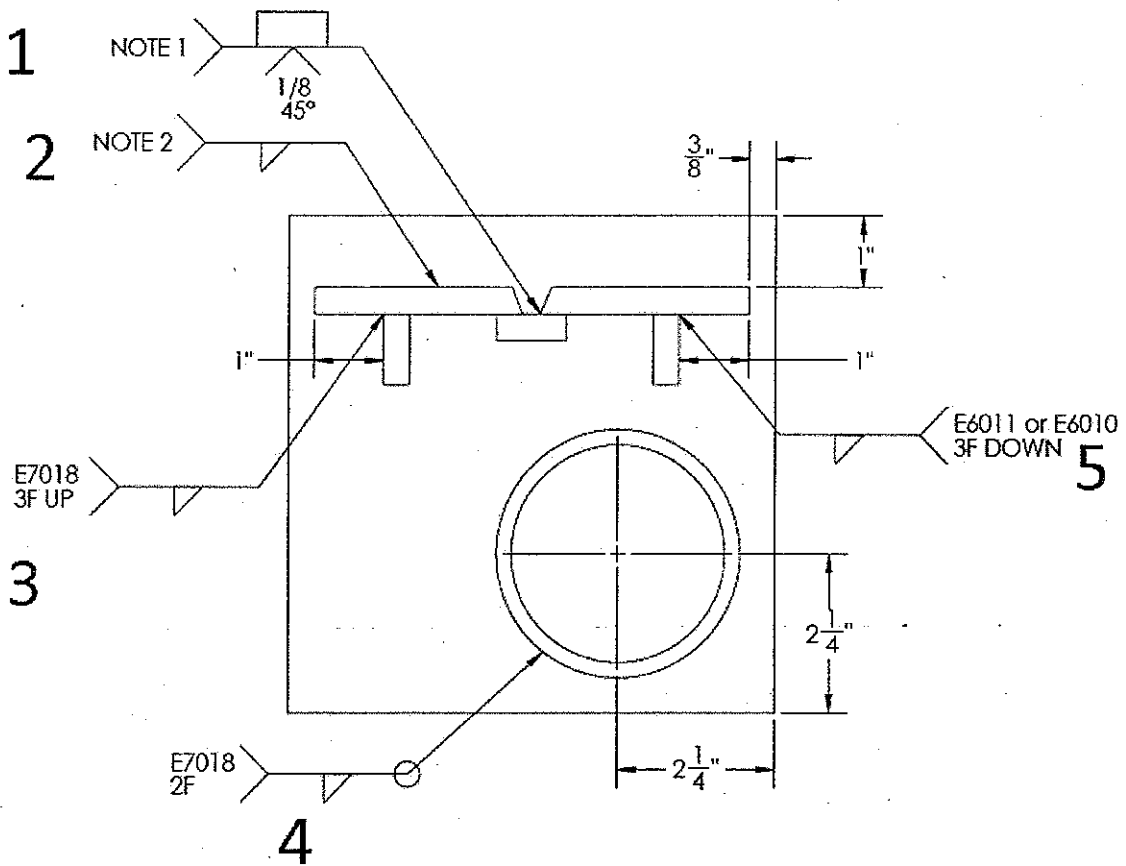
	WELD/PAC	PTS POSSIBLE
1	E7018 MULTIPASS GROOVE	15 /30
2	E6013 MULTIPASS FILLET	12 /20
3	E7018 VERTICAL UP	8 /25
4	E7018 PIPE	5 /10
5	E6011 / 10 DOWN	8 /15
	LAYOUT PENALTY	1
TOTAL		47 /100 PTS

CONTESTANT NUMBER 1549



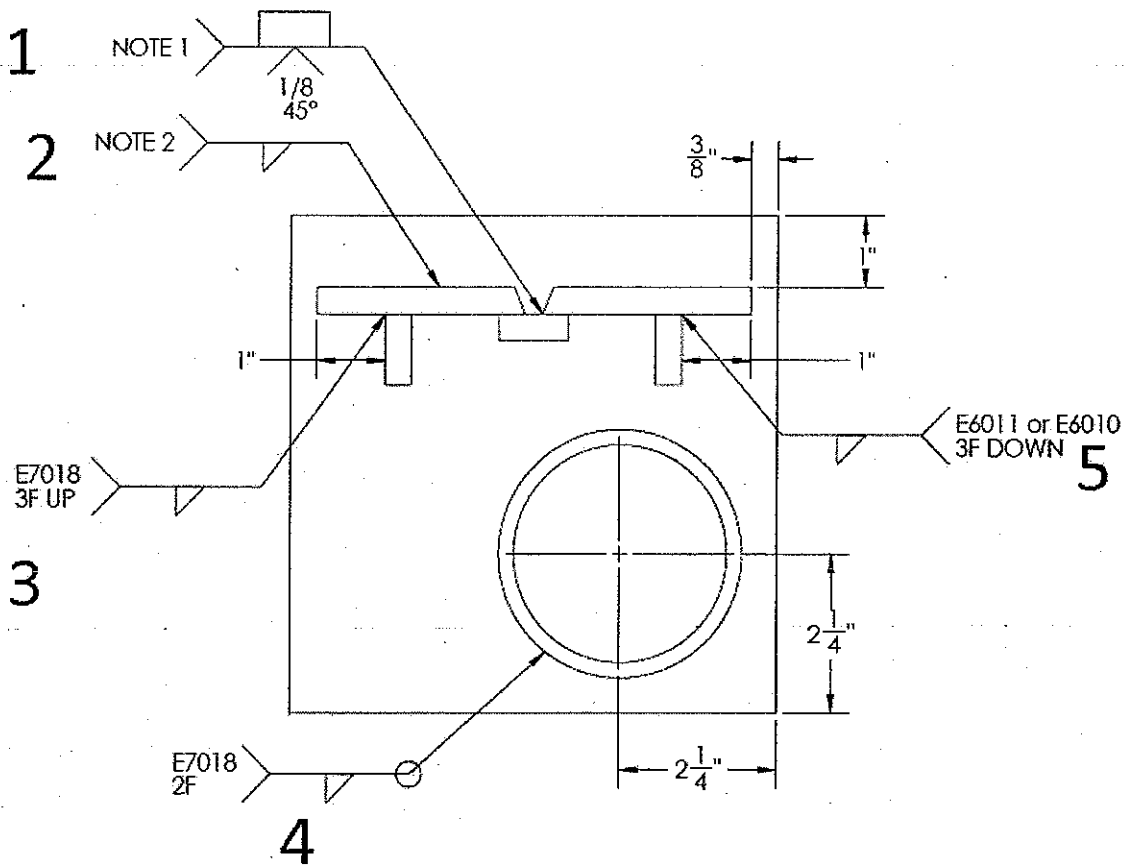
	WELD/PAC	PTS POSSIBLE	
1	E7018 MULTIPASS GROOVE	10	/30
2	E6013 MULTIPASS FILLET	5	/20
3	E7018 VERTICAL UP	10	/25
4	E7018 PIPE	4	/10
5	E6011 / 10 DOWN	11	/15
	LAYOUT PENALTY	2	
TOTAL		38	/100 PTS

CONTESTANT NUMBER 1590



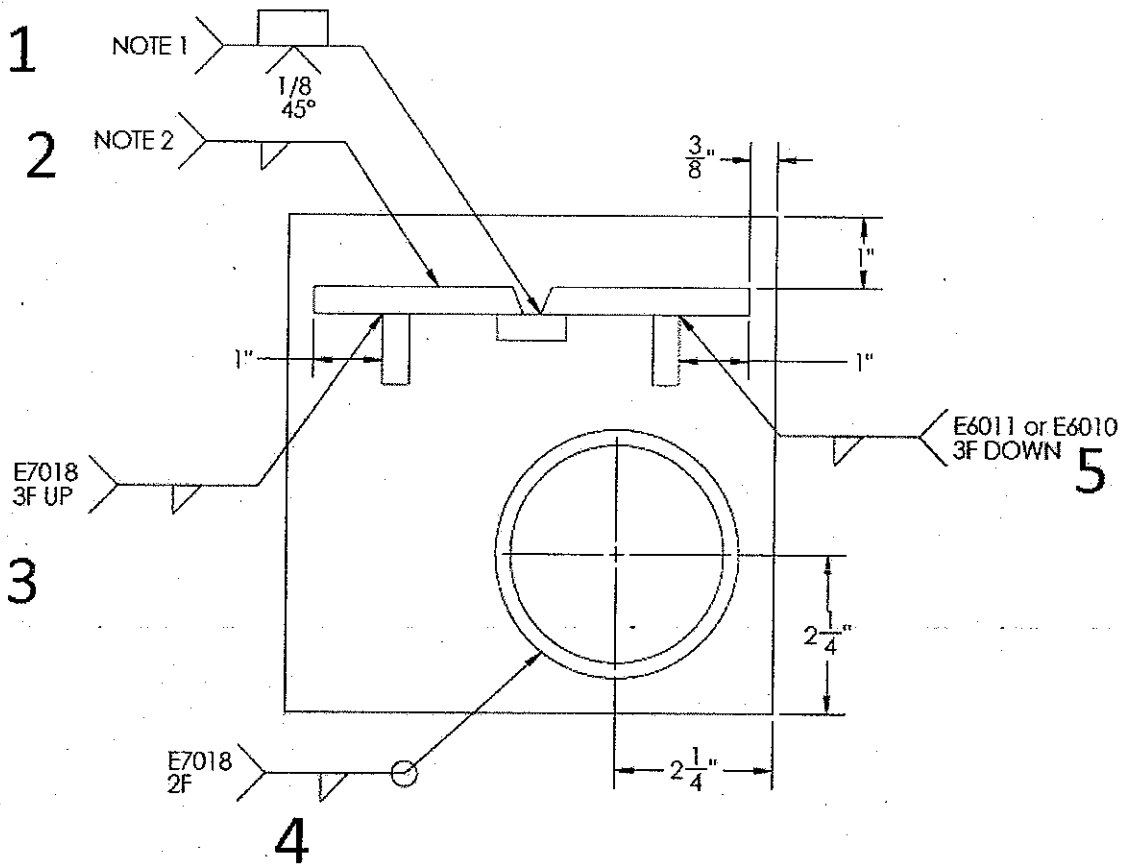
	WELD/PAC	PTS POSSIBLE
1	E7018 MULTIPASS GROOVE	26 /30
2	E6013 MULTIPASS FILLET	17 /20
3	E7018 VERTICAL UP	17 /25
4	E7018 PIPE	7 /10
5	E6011 / 10 DOWN	13 /15
	LAYOUT PENALTY	2
TOTAL		78 /100 PTS

CONTESTANT NUMBER 1610



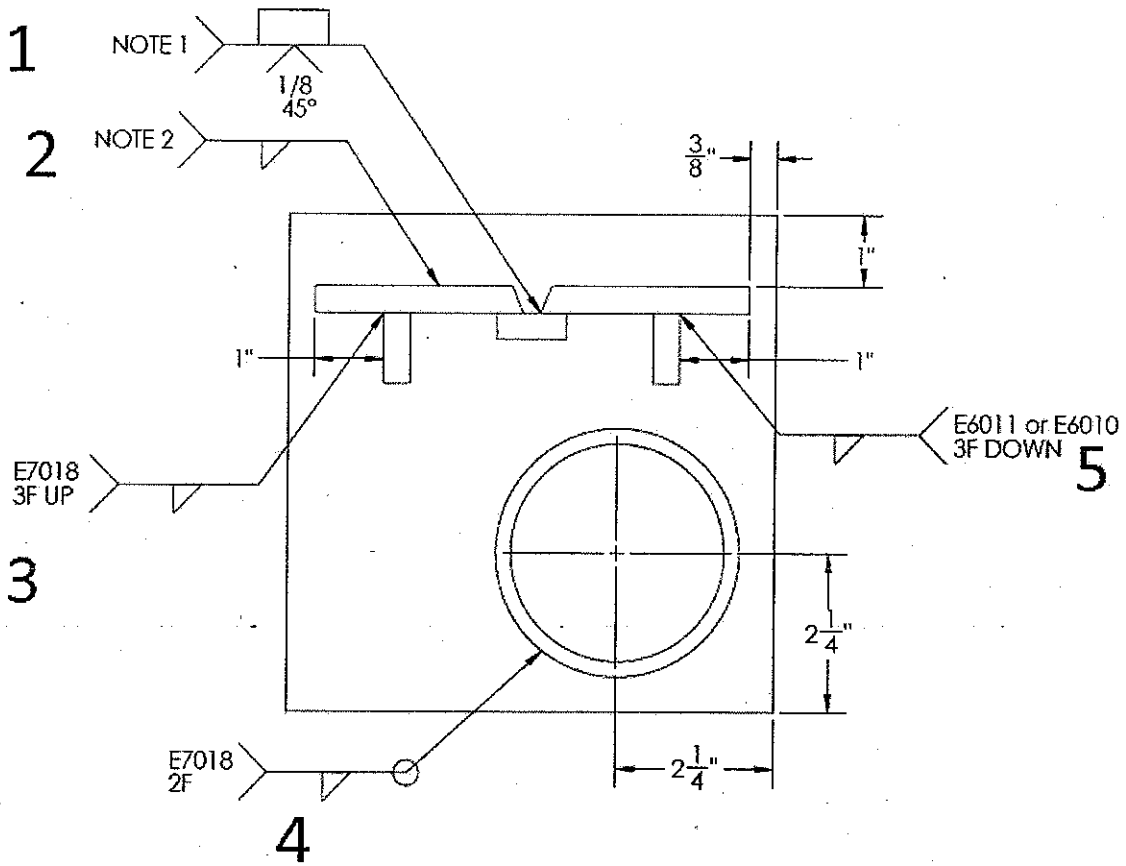
	WELD/PAC	PTS POSSIBLE
1	E7018 MULTIPASS GROOVE	5 /30
2	E6013 MULTIPASS FILLET	8 /20
3	E7018 VERTICAL UP	1 /25
4	E7018 PIPE	3 /10
5	E6011 / 10 DOWN	6 /15
	LAYOUT PENALTY	1
TOTAL		27 /100 PTS

CONTESTANT NUMBER 1663



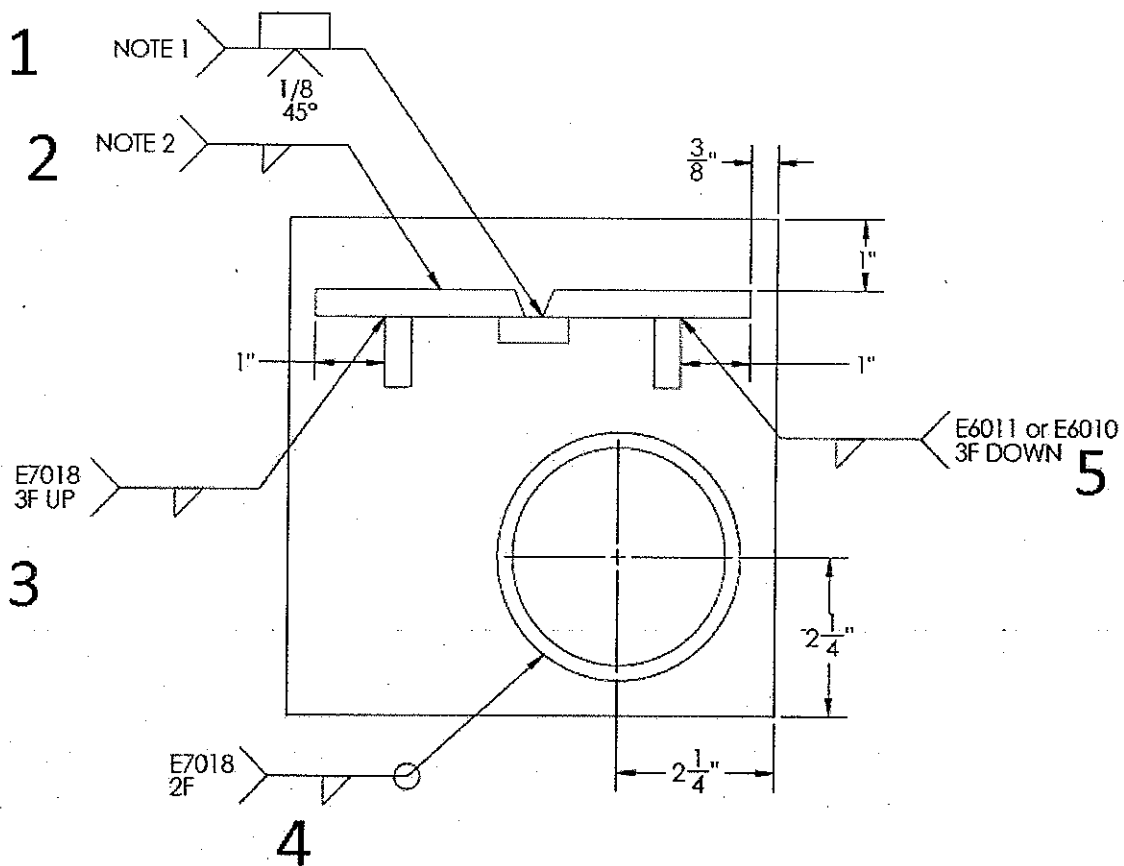
	WELD/PAC	PTS POSSIBLE
1	E7018 MULTIPASS GROOVE	18 /30
2	E6013 MULTIPASS FILLET	15 /20
3	E7018 VERTICAL UP	17 /25
4	E7018 PIPE	7 /10
5	E6011 / 10 DOWN	12 /15
	LAYOUT PENALTY	1
TOTAL		68 /100 PTS

CONTESTANT NUMBER 1699



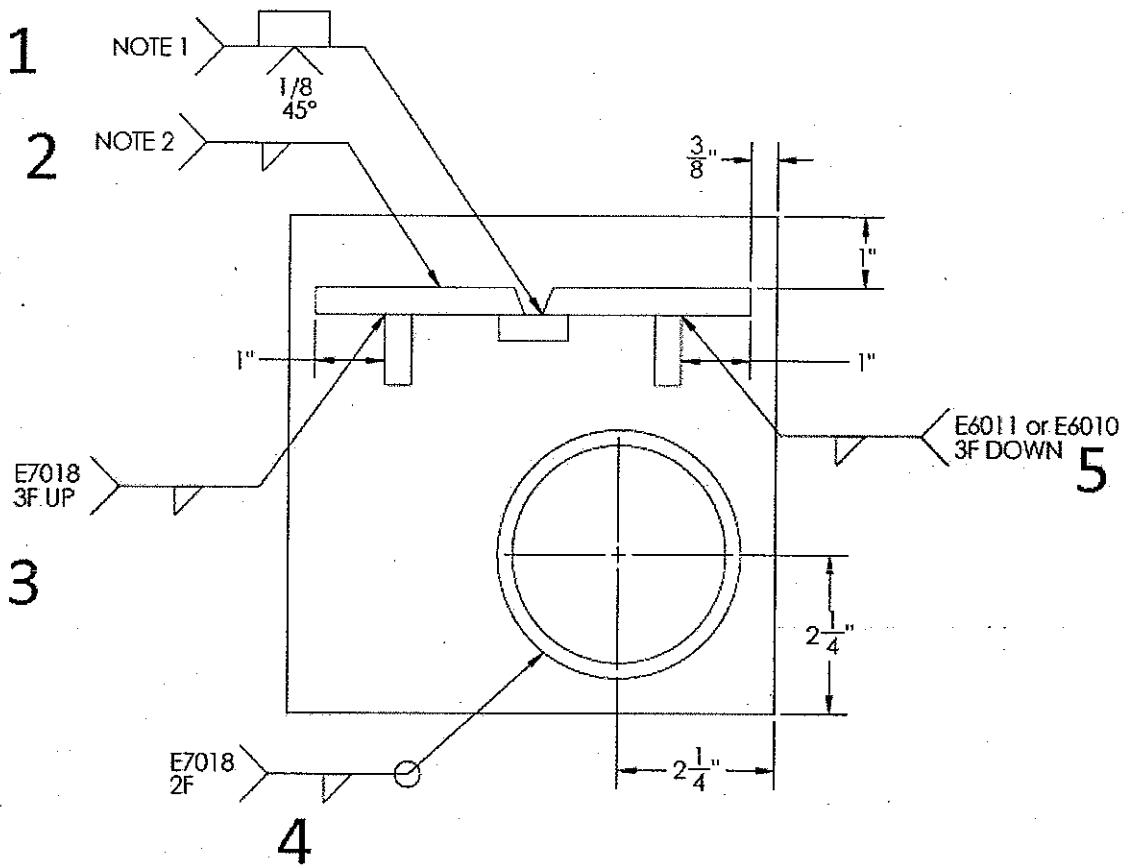
	WELD/PAC	PTS POSSIBLE
1	E7018 MULTIPASS GROOVE	7 /30
2	E6013 MULTIPASS FILLET	13 /20
3	E7018 VERTICAL UP	1 /25
4	E7018 PIPE	4 /10
5	E6011 / 10 DOWN	9 /15
	LAYOUT PENALTY	2
TOTAL		32 /100 PTS

CONTESTANT NUMBER 1801



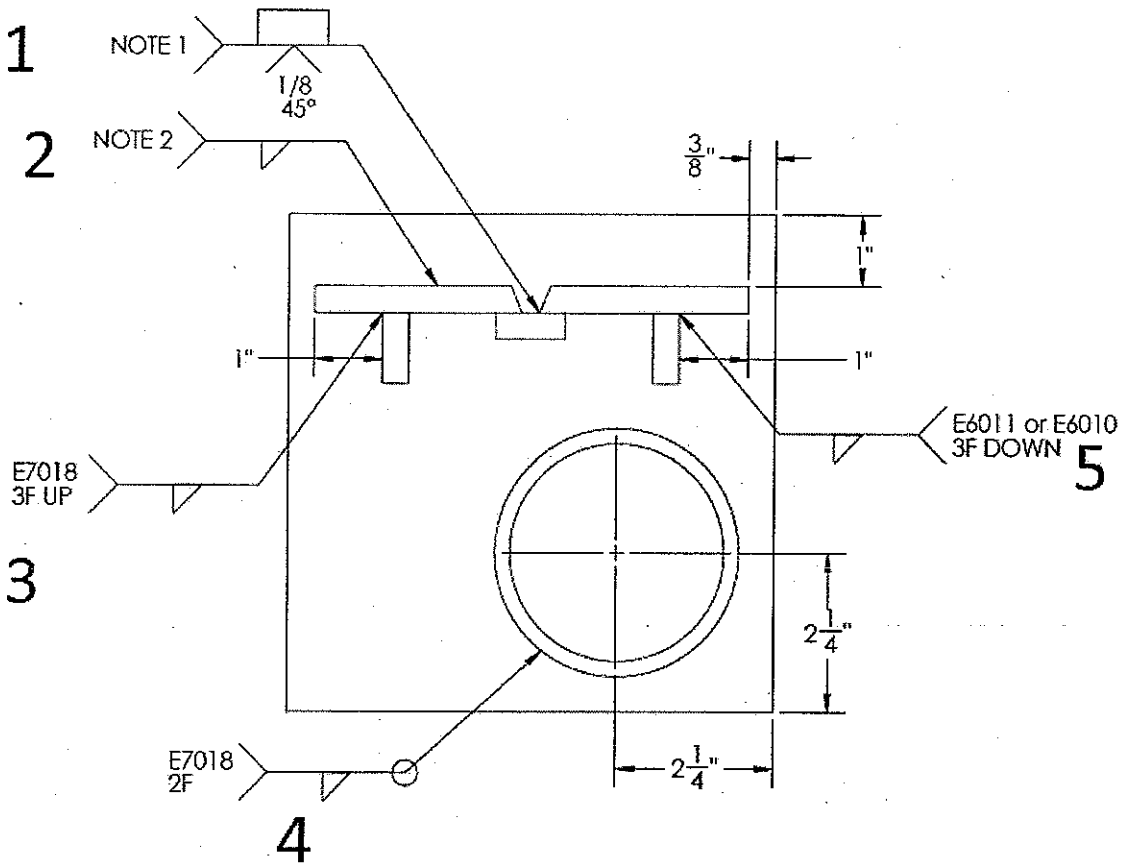
	WELD/PAC	PTS POSSIBLE
1	E7018 MULTIPASS GROOVE	5 /30
2	E6013 MULTIPASS FILLET	4 /20
3	E7018 VERTICAL UP	5 /25
4	E7018 PIPE	7 /10
5	E6011 / 10 DOWN	7 /15
	LAYOUT PENALTY	3
TOTAL		25 /100 PTS

CONTESTANT NUMBER 1815



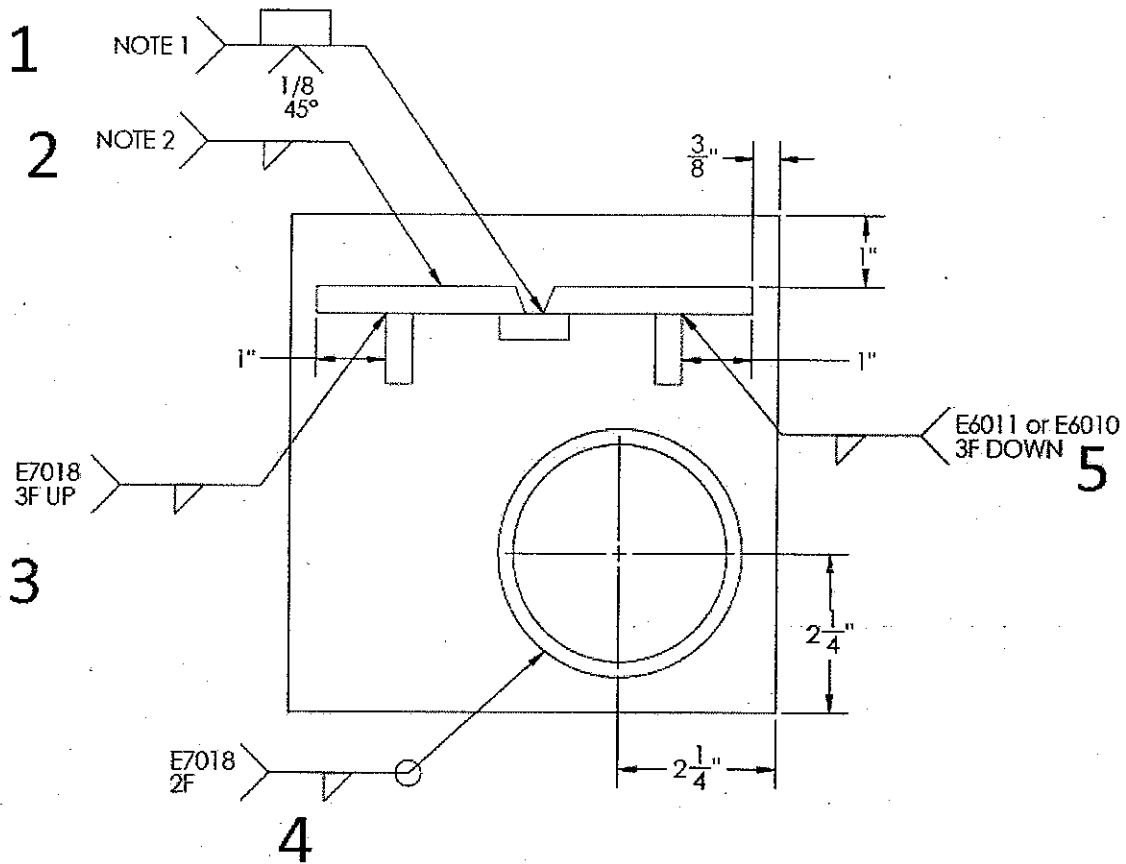
	WELD/PAC	PTS POSSIBLE
1	E7018 MULTIPASS GROOVE	5 /30
2	E6013 MULTIPASS FILLET	5 /20
3	E7018 VERTICAL UP	1 /25
4	E7018 PIPE	3 /10
5	E6011 / 10 DOWN	1 /15
	LAYOUT PENALTY	3
TOTAL		12 /100 PTS

CONTESTANT NUMBER 1924



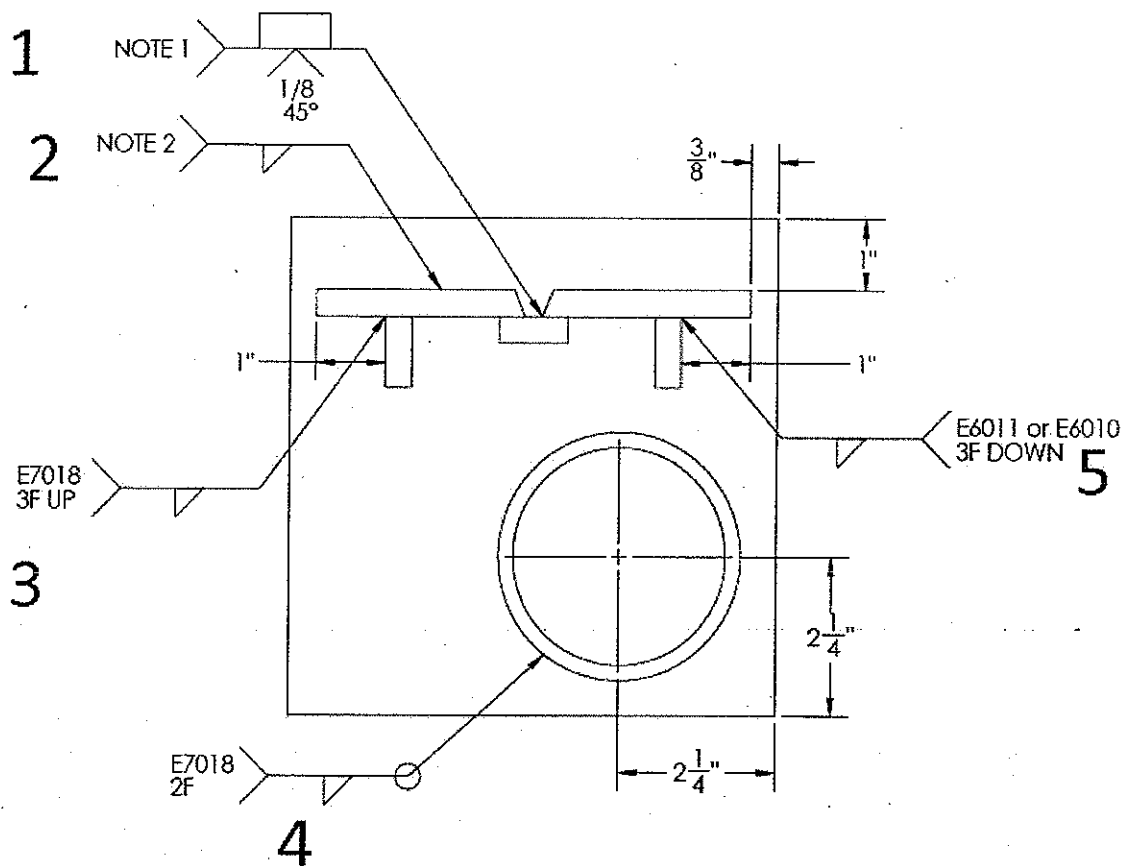
	WELD/PAC	PTS POSSIBLE
1	E7018 MULTIPASS GROOVE	20 /30
2	E6013 MULTIPASS FILLET	11 /20
3	E7018 VERTICAL UP	17 /25
4	E7018 PIPE	6 /10
5	E6011 / 10 DOWN	7 /15
	LAYOUT PENALTY	0
TOTAL		61 /100 PTS

CONTESTANT NUMBER 1965



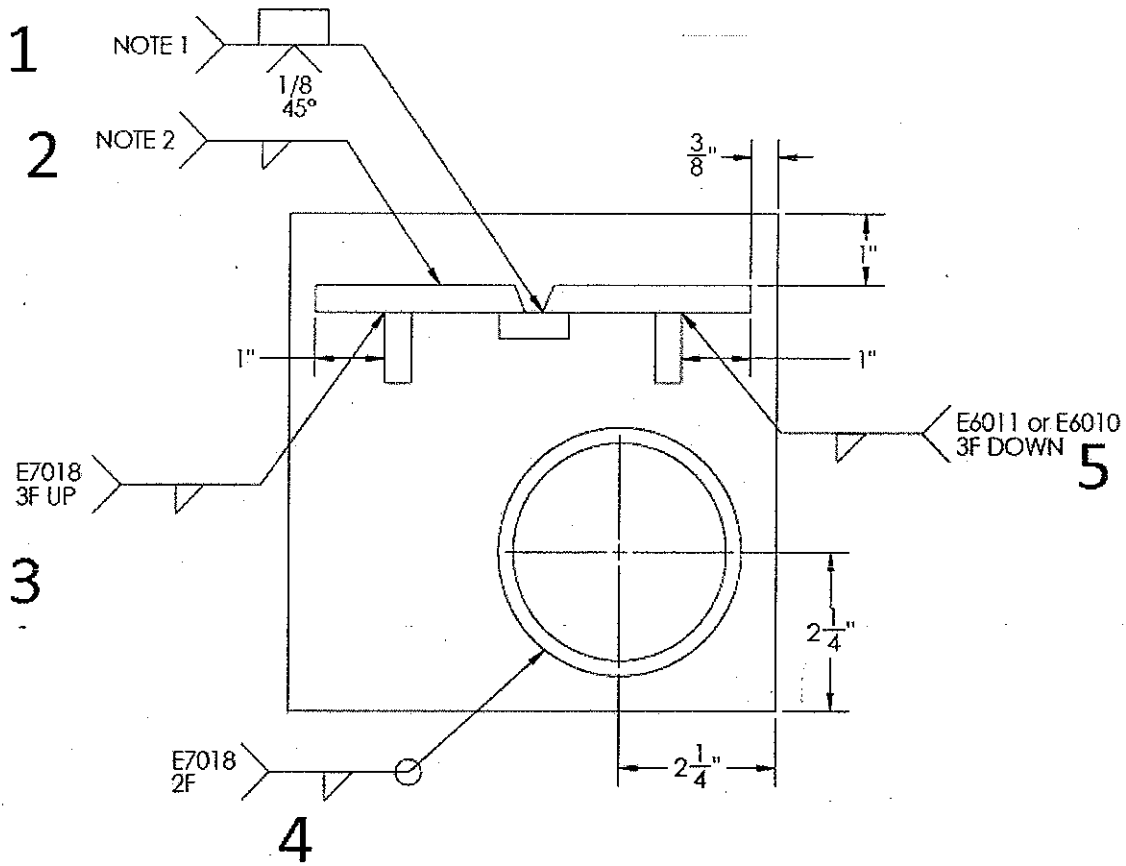
	WELD/PAC	PTS POSSIBLE
1	E7018 MULTIPASS GROOVE	1 /30
2	E6013 MULTIPASS FILLET	1 /20
3	E7018 VERTICAL UP	1 /25
4	E7018 PIPE	1 /10
5	E6011 / 10 DOWN	1 /15
	LAYOUT PENALTY	3
TOTAL		2 /100 PTS

CONTESTANT NUMBER 2016



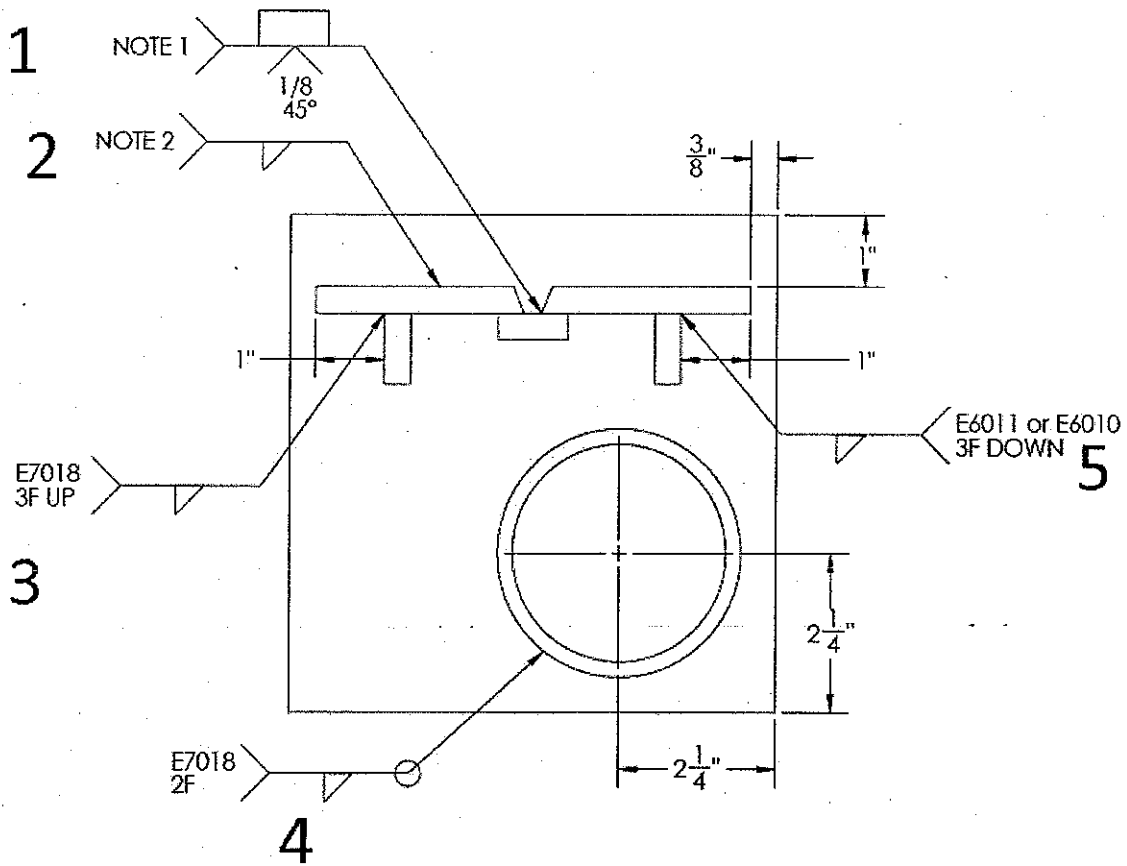
	WELD/PAC	PTS POSSIBLE
1	E7018 MULTIPASS GROOVE	19 /30
2	E6013 MULTIPASS FILLET	16 /20
3	E7018 VERTICAL UP	12 /25
4	E7018 PIPE	7 /10
5	E6011 / 10 DOWN	9 /15
	LAYOUT PENALTY	
TOTAL		63 /100 PTS

CONTESTANT NUMBER 2017



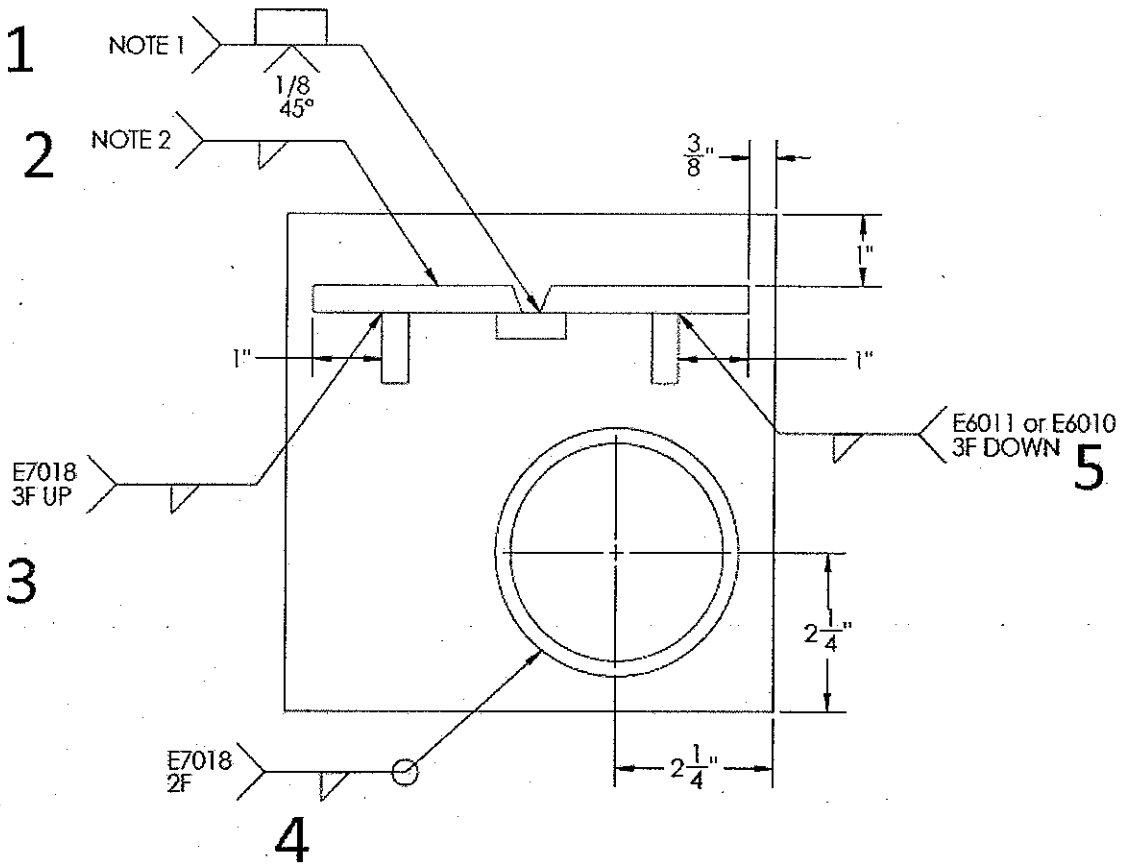
	WELD/PAC	PTS POSSIBLE
1	E7018 MULTIPASS GROOVE	5 /30
2	E6013 MULTIPASS FILLET	10 /20
3	E7018 VERTICAL UP	12 /25
4	E7018 PIPE	7 /10
5	E6011 / 10 DOWN	7 /15
	LAYOUT PENALTY	2
TOTAL		39 /100 PTS

CONTESTANT NUMBER 2059



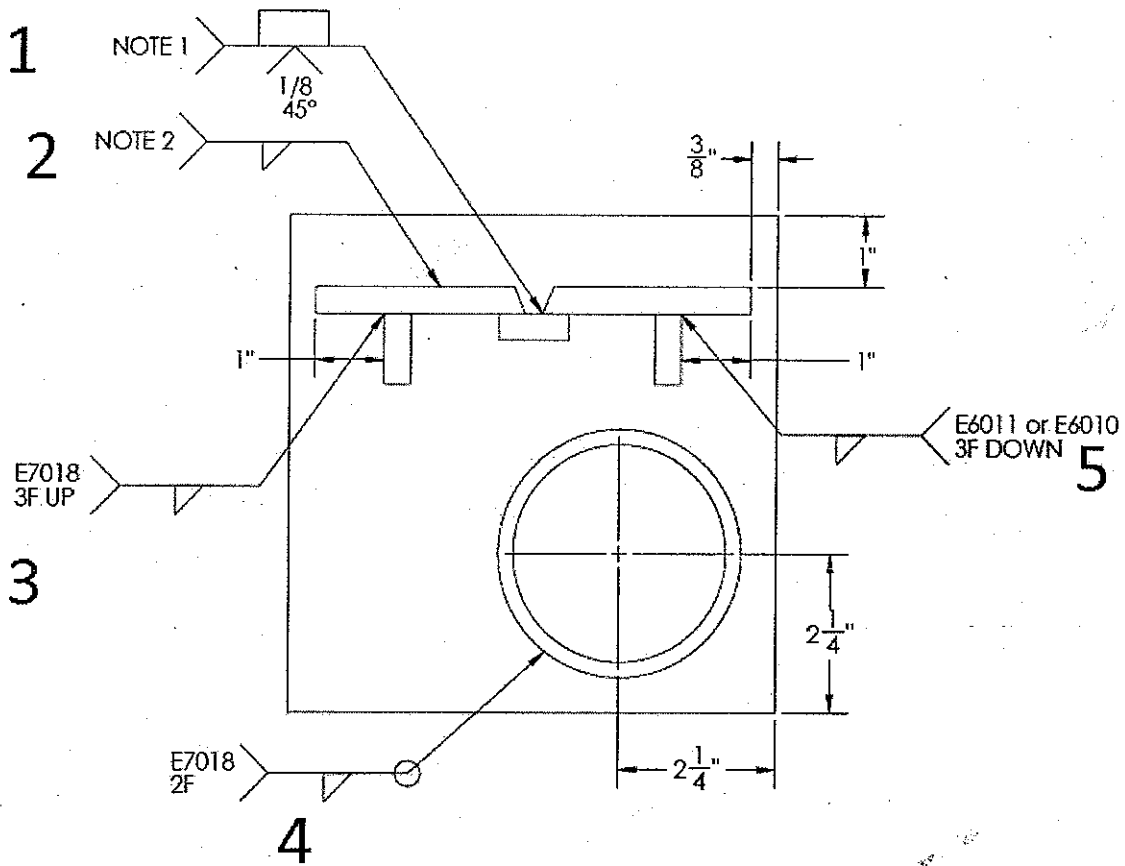
	WELD/PAC	PTS POSSIBLE
1	E7018 MULTIPASS GROOVE	5 /30
2	E6013 MULTIPASS FILLET	6 /20
3	E7018 VERTICAL UP	4 /25
4	E7018 PIPE	5 /10
5	E6011 / 10 DOWN	1 /15
	LAYOUT PENALTY	
TOTAL		21 /100 PTS

CONTESTANT NUMBER 2075



	WELD/PAC	PTS POSSIBLE
1	E7018 MULTIPASS GROOVE	5 /30
2	E6013 MULTIPASS FILLET	5 /20
3	E7018 VERTICAL UP	5 /25
4	E7018 PIPE	3 /10
5	E6011 / 10 DOWN	5 /15
	LAYOUT PENALTY	2
TOTAL		21 /100 PTS

CONTESTANT NUMBER 2102



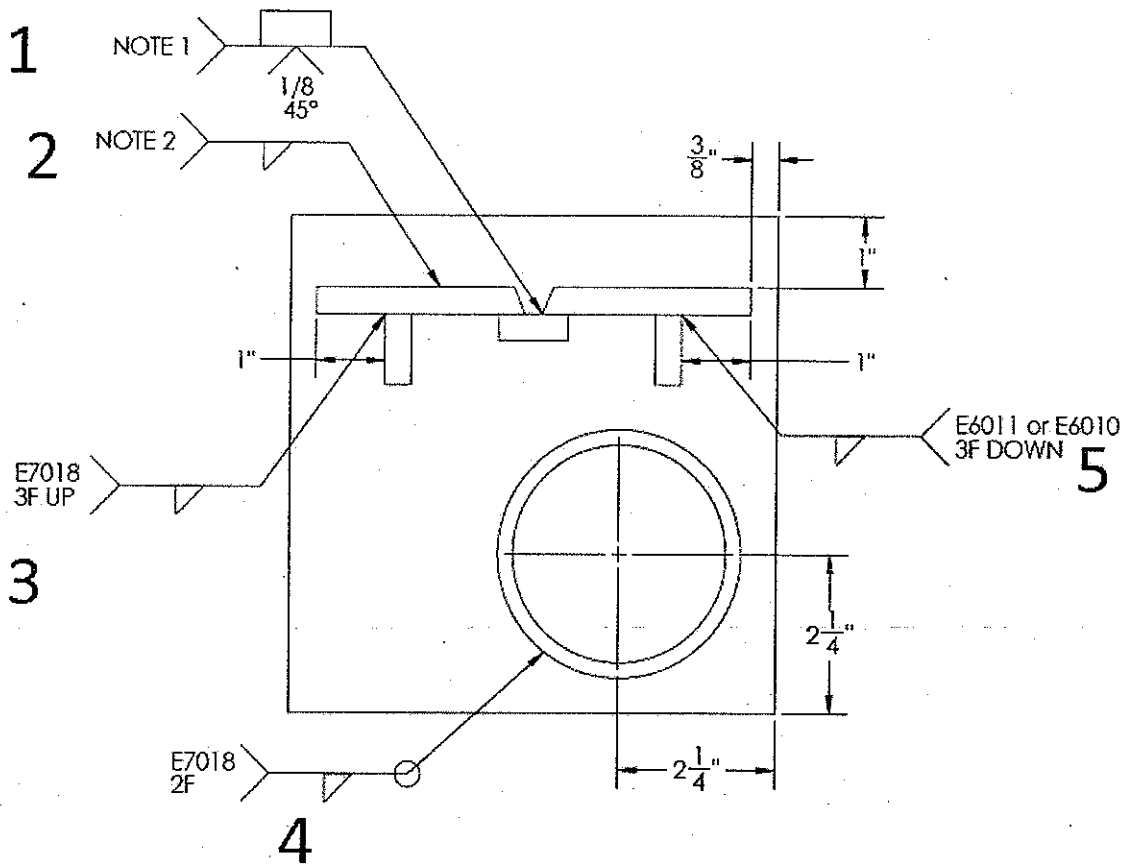
	WELD/PAC	PTS POSSIBLE
1	E7018 MULTIPASS GROOVE	25 /30
2	E6013 MULTIPASS FILLET	10 /20
3	E7018 VERTICAL UP	13 /25
4	E7018 PIPE	8 /10
5	E6011 / 10 DOWN	12 /15
	LAYOUT PENALTY	2
TOTAL		66 /100 PTS

> 35
 21
 12

 68
 2

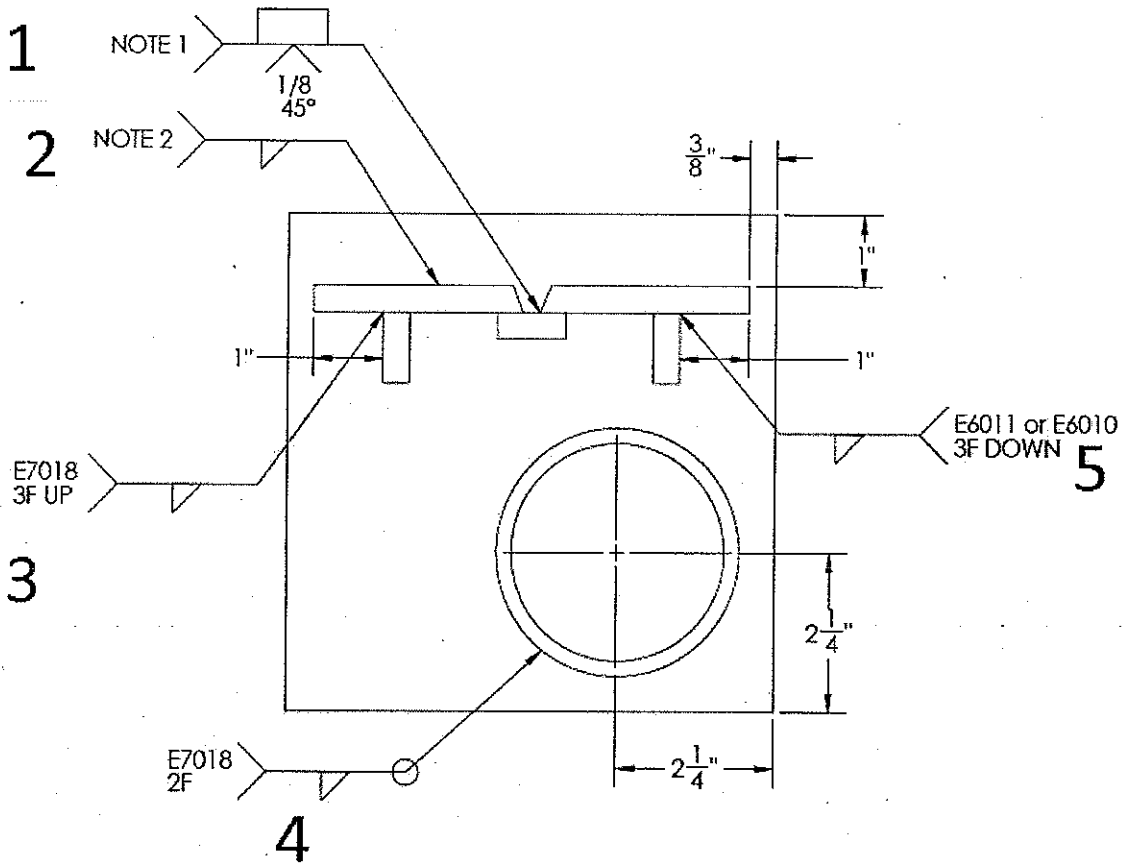
 66

CONTESTANT NUMBER 2123



	WELD/PAC	PTS POSSIBLE
1	E7018 MULTIPASS GROOVE	5 /30
2	E6013 MULTIPASS FILLET	1 /20
3	E7018 VERTICAL UP	0 /25
4	E7018 PIPE	5 /10
5	E6011 / 10 DOWN	0 /15
	LAYOUT PENALTY	3
TOTAL		8 /100 PTS

CONTESTANT NUMBER 2202



	WELD/PAC	PTS POSSIBLE
1	E7018 MULTIPASS GROOVE	5 /30
2	E6013 MULTIPASS FILLET	11 /20
3	E7018 VERTICAL UP	5 /25
4	E7018 PIPE	8 /10
5	E6011 / 10 DOWN	4 /15
	LAYOUT PENALTY	3
TOTAL		37 /100 PTS