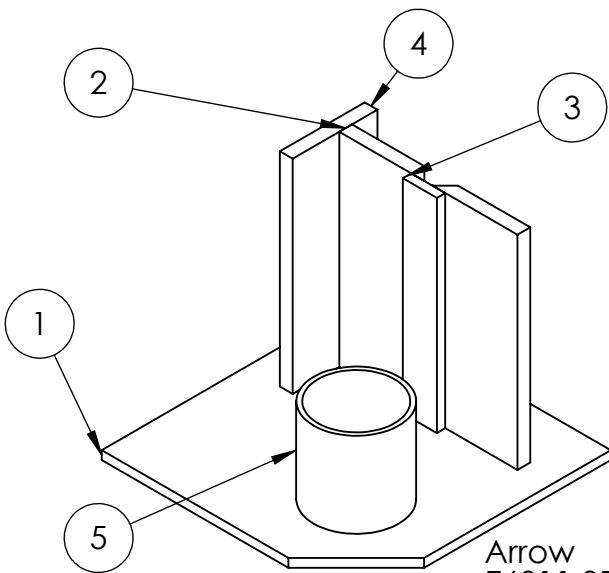


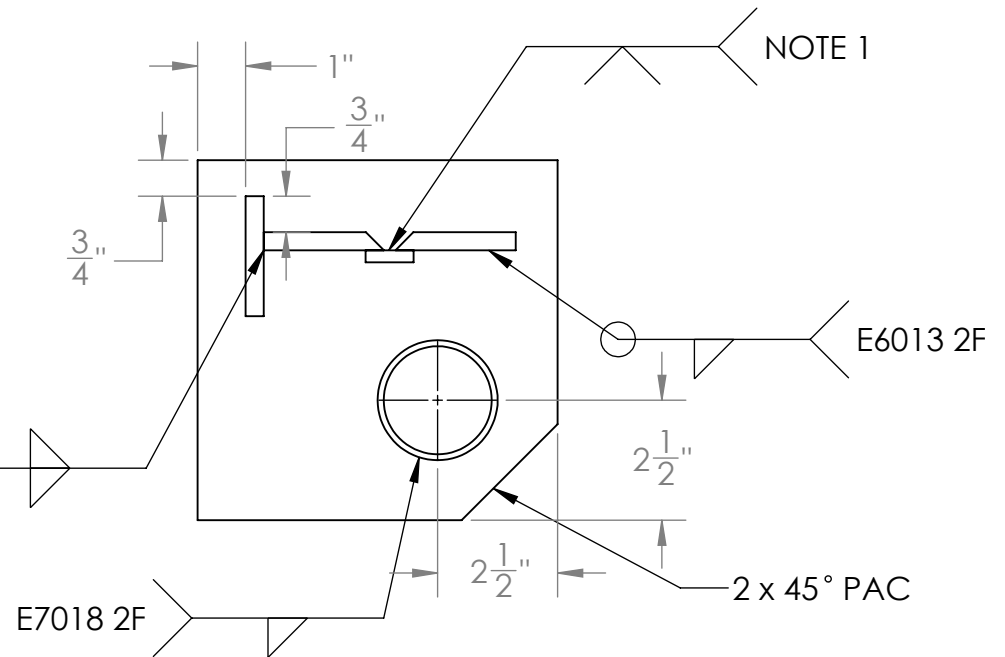
B



Arrow
E6011 3F Down
Opposite
E7018 3F UP

Note 1:
ROOT PASS E7018 3G UPHILL FULL LENGTH
FILL PASS E7018 3G UPHILL 2" START FROM BOTTOM
COVER PASS E7018 3G UPHILL 4" START FROM BOTTOM

ITEM NO.	PART NUMBER	QTY.
1	BASE SMAW 24	1
2	BEVELED SMAW 24	2
3	BACKING BAR SMAW 24	1
4	SIDE SMAW 24	1
5	PIPE SMAW 24	1



B

A

UNLESS OTHERWISE SPECIFIED:
DIMENSIONS ARE IN INCHES
TOLERANCES:
FRACTIONAL $\pm 1/16$
ANGULAR: MACH $\pm 1^\circ$
TWO PLACE DECIMAL $\pm .010$
THREE PLACE DECIMAL $\pm .001$

TITLE:

STATE 2024

MATERIAL

SIZE

DWG. NO.

REV

A

SMAW

DO NOT SCALE DRAWING

SCALE: 1:4

DRAWN: KT VERN

2

1