

ITEM NO.	PART NUMBER	DESCRIPTION	QTY.
1	Base	5" x 8" x 3/8"	1
2	Channel	5" x 1 3/4" x 1/4"	1
3	Pipe	3" SCH40	1
4	Coupon	1" x 6" x 3/8"	2

SIZE	DWG. NO.	REV
A	SMAW	1
SCALE: 1:4		Drawn: Walker /Hemler

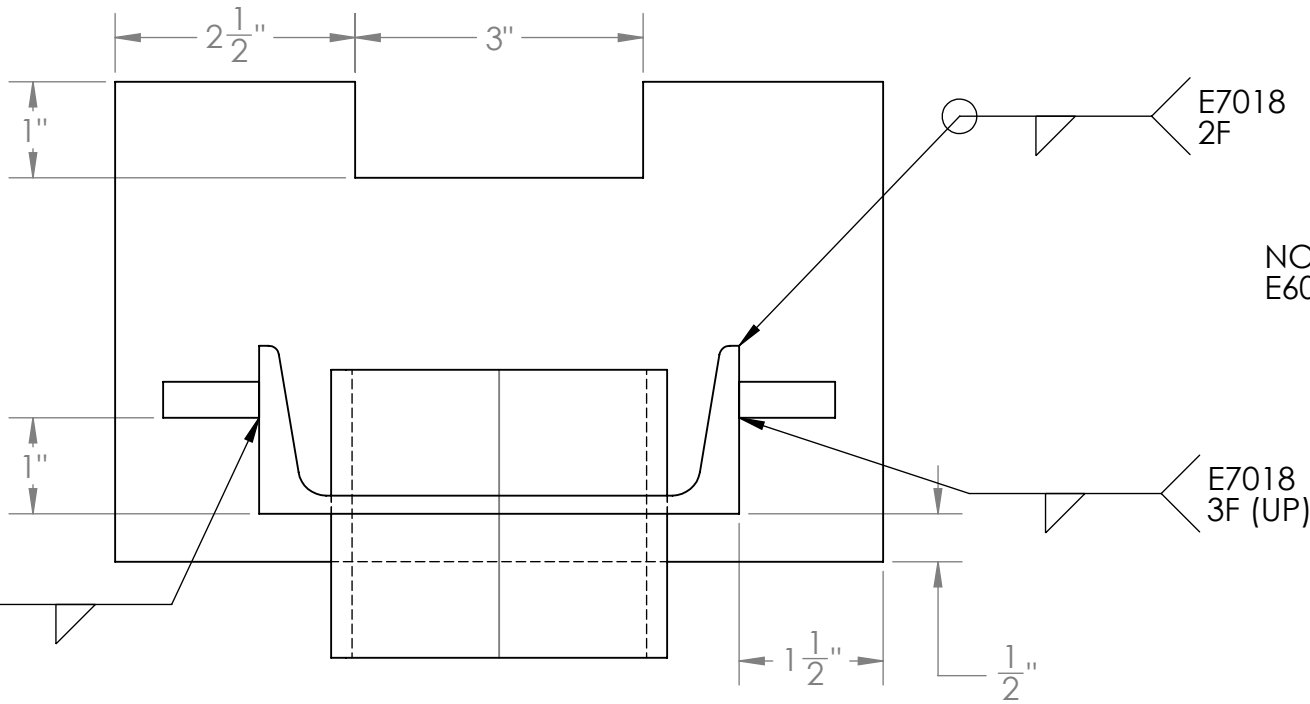
5

4

3

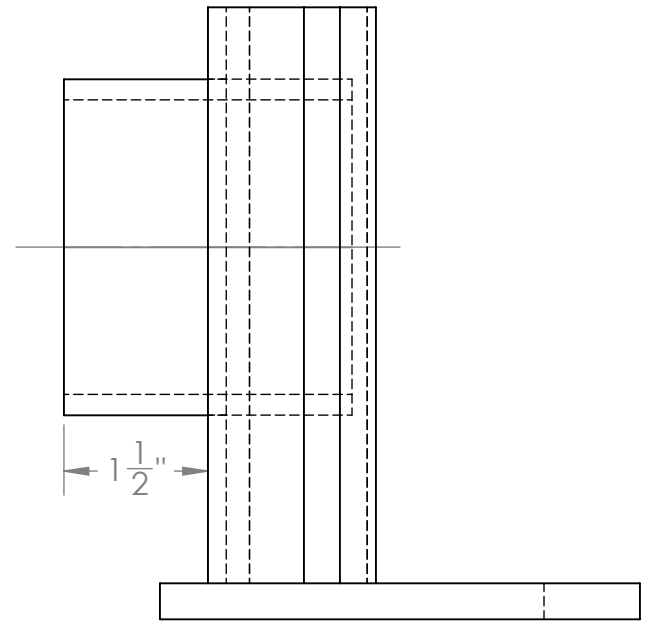
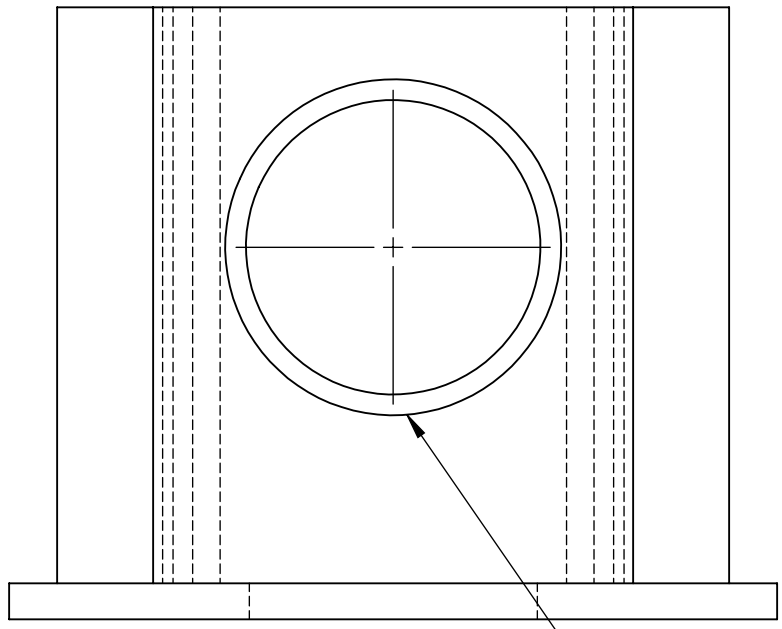
2

1



NOTE: 1
 E6011 THREE PASS 2F
 1ST PASS FULL LENGTH
 2ND PASS 4"
 3RD PASS 2"

NOTE 1



E7018 5F UP

SIZE	DWG. NO.	REV
A	SMAW	1
SCALE: 1:4		Drawn: Walker /Hemler